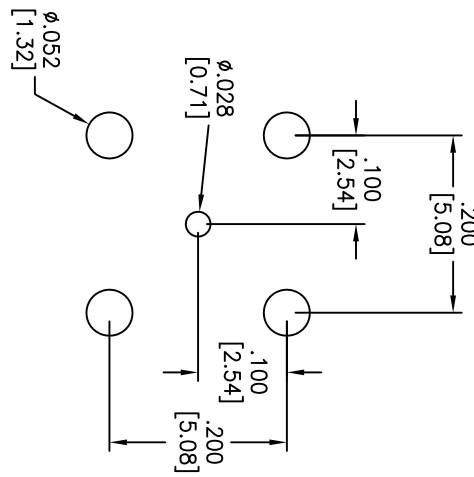
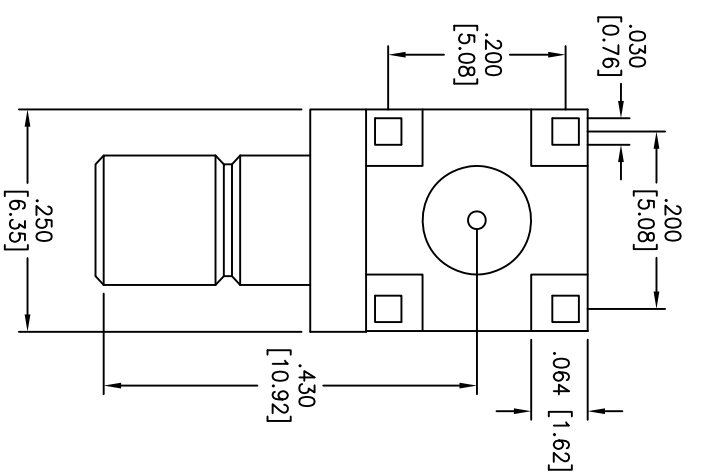
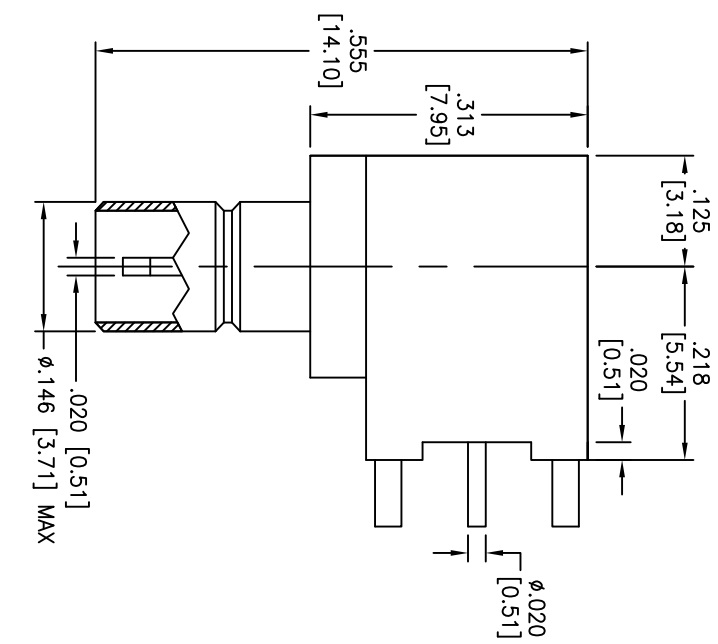


Rev	AWO #	Description	Date	Appr
-	10159	RELEASED	4/15/10	

APPROVED: \_\_\_\_\_  
 DATE: \_\_\_\_\_ TITLE: \_\_\_\_\_



RECOMMENDED PCB LAYOUT

DESCRIPTION	MATERIAL	FINISH
INSULATOR	TEFLON	NONE
BODY	BRASS	GOLD
BODY	BRASS	GOLD
INSULATOR	TEFLON	NONE
PIN	BRASS	GOLD

**SPECIFICATIONS:**

Electrical:  
 Nominal Impedance: 50 ohms  
 Frequency range: 0-4 GHz  
 Contact Resistance: 6 Milliohms max. (Center Contact)  
 2.5 Milliohms max. (Outer Contact)  
 Insulator Resistance: 1000 Megohms min.  
 Environmental:  
 Lead free, RoHS compliant.

UNLESS OTHERWISE SPECIFIED  
 ALL DIMENSIONS ARE INCHES. [MM]  
 TOLERANCES: EXCEPT AS NOTED  
 INCHES HOLS  
 .X ± .10 Ø.X  
 .XX ± .020 Ø.XX  
 .XXX ± .015 Ø.XXX  
 .XXX ± .010

**ADAM TECH**  
 909 Rahway Avenue, Union, NJ 07083  
 Phone: 908-687-5000 Fax: 908-687-5710

SMB CONNECTOR

APPROVALS	DATE	TITLE	SIZE	PART NO.	REV.
DRAWN	DY	4/15/10	X	RF26-05-00-50-T	-
CHECKED					
APPROVED					

REF.	SCALE	SHEET
S00049T	NTS	1 OF 1

