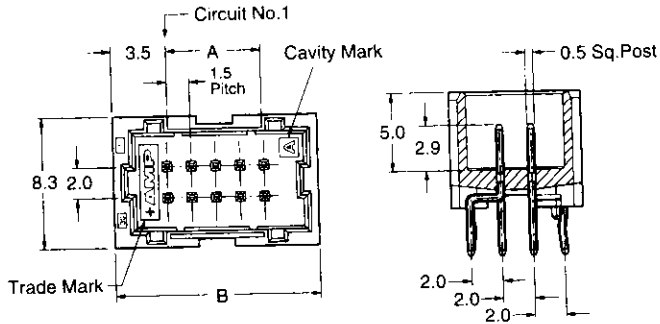
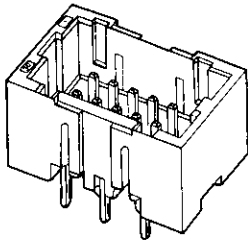


Wire to Board Connectors Mini CT (Common Termination) Connector System Post Header Assemblies (Board-mount)

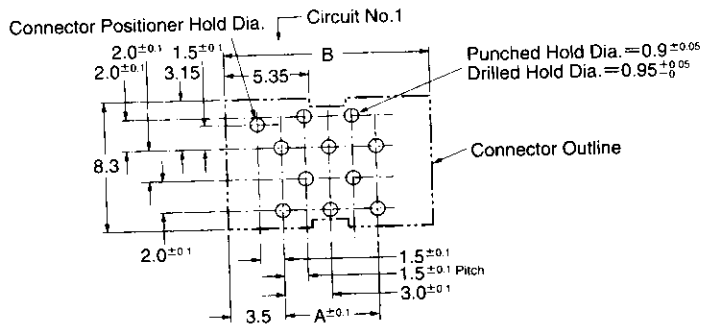
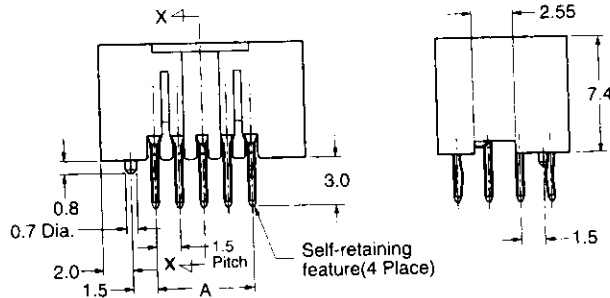
Two-Row DIP Type / Vertical-mount Type (With bosses)

Material and Finish :

Housing — UL94V-0 rated,
glassfiber reinforced Nylon,
grey and blue
Post — 0.5mm square,
Pre-tinned, brass wire



Section X-X



PC Board Layout (Component Side)

(Applicable board thickness = 1.6mm)

| No. of Pos. | Dimensions | | Part No. of Post Header Assemblies | |
|-------------|------------|------|------------------------------------|------------|
| | A | B | Grey | Blue |
| 22 | 15.0 | 22.0 | 2-292208-2 | 7-292208-2 |
| 24 | 16.5 | 23.5 | 2-292208-4 | 7-292208-4 |
| 26 | 18.0 | 25.0 | 2-292208-6 | 7-292208-6 |
| 28 | 19.5 | 26.5 | 2-292208-8 | 7-292208-8 |
| 30 | 21.0 | 28.0 | 3-292208-0 | 8-292208-0 |
| 32 | 22.5 | 29.5 | 3-292208-2 | 8-292208-2 |
| 34 | 24.0 | 31.0 | 3-292208-4 | 8-292208-4 |
| 36 | 25.5 | 32.5 | 3-292208-6 | 8-292208-6 |
| 38 | 27.0 | 34.0 | 3-292208-8 | 8-292208-8 |
| 40 | 28.5 | 35.5 | 4-292208-0 | 9-292208-0 |