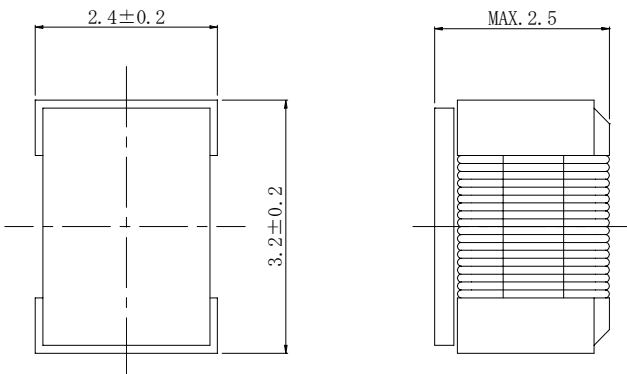
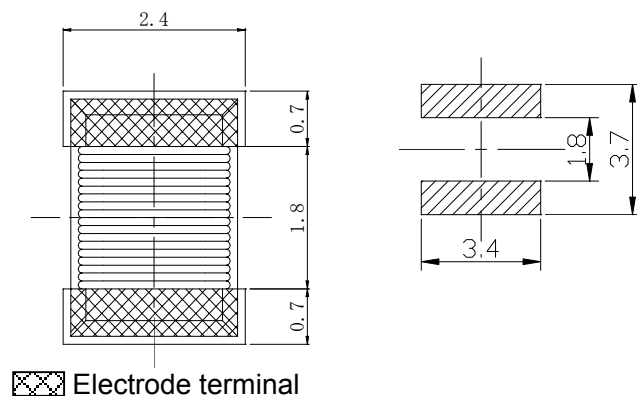


Type: CDI2D23
◆ Product Description

- 3.4×2.6mm Max.(L×W),2.5mm Max. Height.
- Inductance range: 1.0~4.0mH
- Rated current range:15~40mA
- In addition to the standard versions of inductors shown here, custom inductors are available to meet your exact requirements.


◆ Feature

- Magnetically unshielded construction.
- Ideally used in MP3 LED Display.
- RoHS Compliance

◆ Dimensions (mm)

◆ Land Pattern (mm)

◆ Specification

Part Name ※	Stamp	Inductance(mH) [Within] 100kHz	D.C.R.(Ω) Max.(Typ.) (at 20°C)	Rated Current (mA) ※1 (at 20°C)
CDI2D23NP-102K□	1	1.0±10%	16.6(14.5)	40
CDI2D23NP-402K□	4	4.0±10%	70(60)	15

※ Description of part name

CDI2D23NP-102K□
 B Box
 C Carrier Tape

※1 Rated current: The DC current at which the inductance decreases to 80% of it's initial value or when $\Delta t=40^{\circ}\text{C}$, whichever is lower($T_a=20^{\circ}\text{C}$).