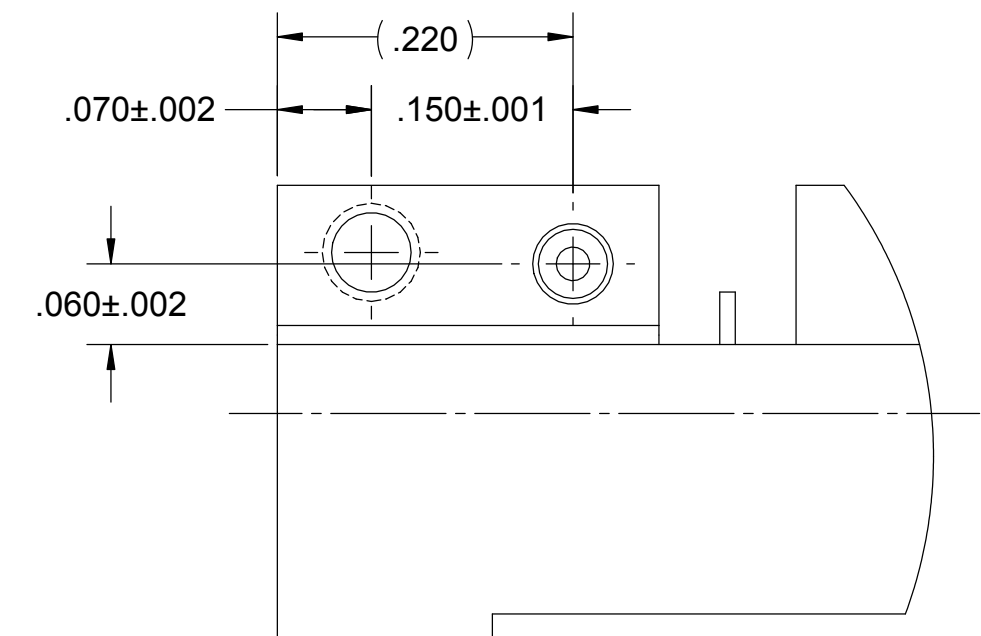
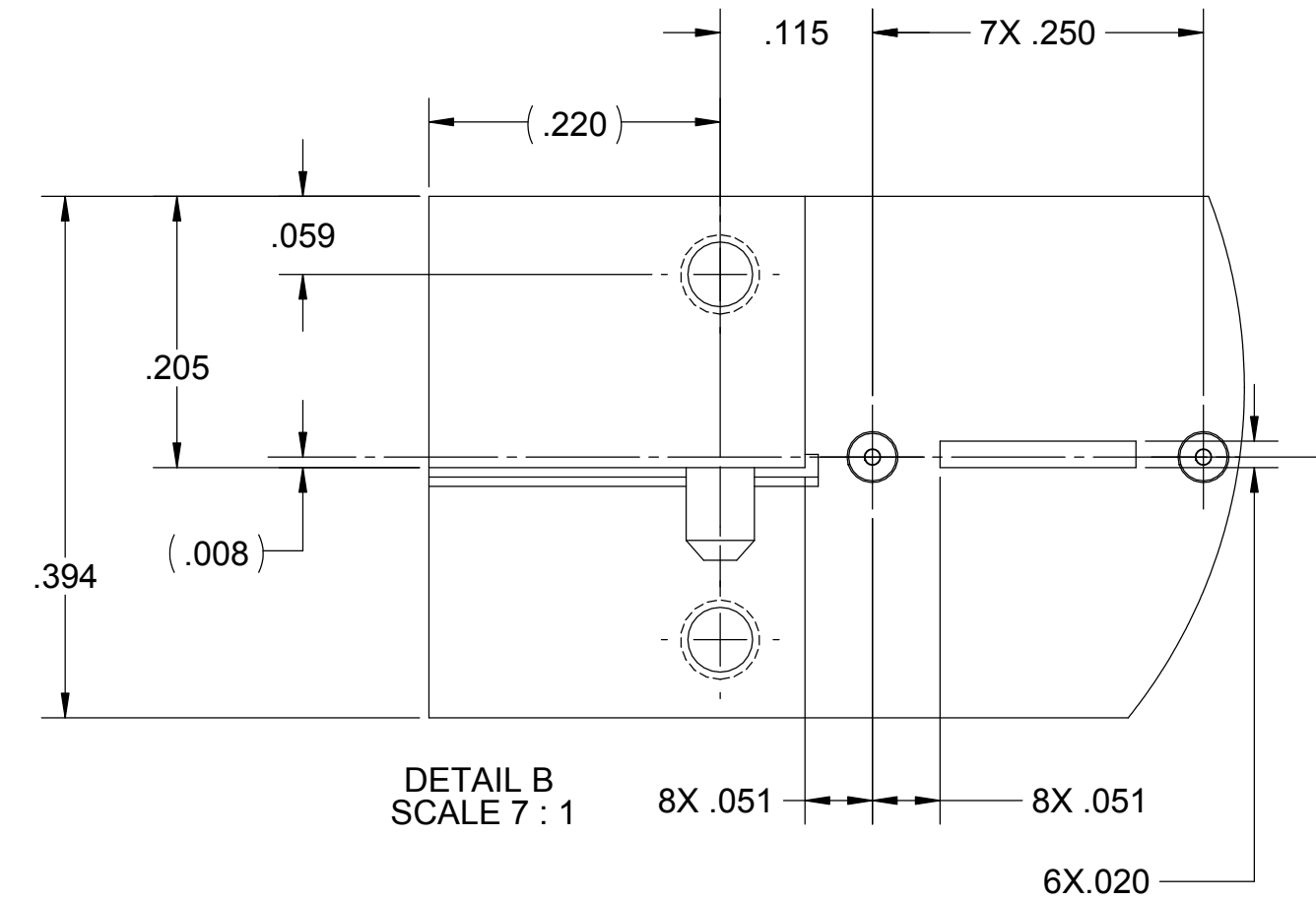
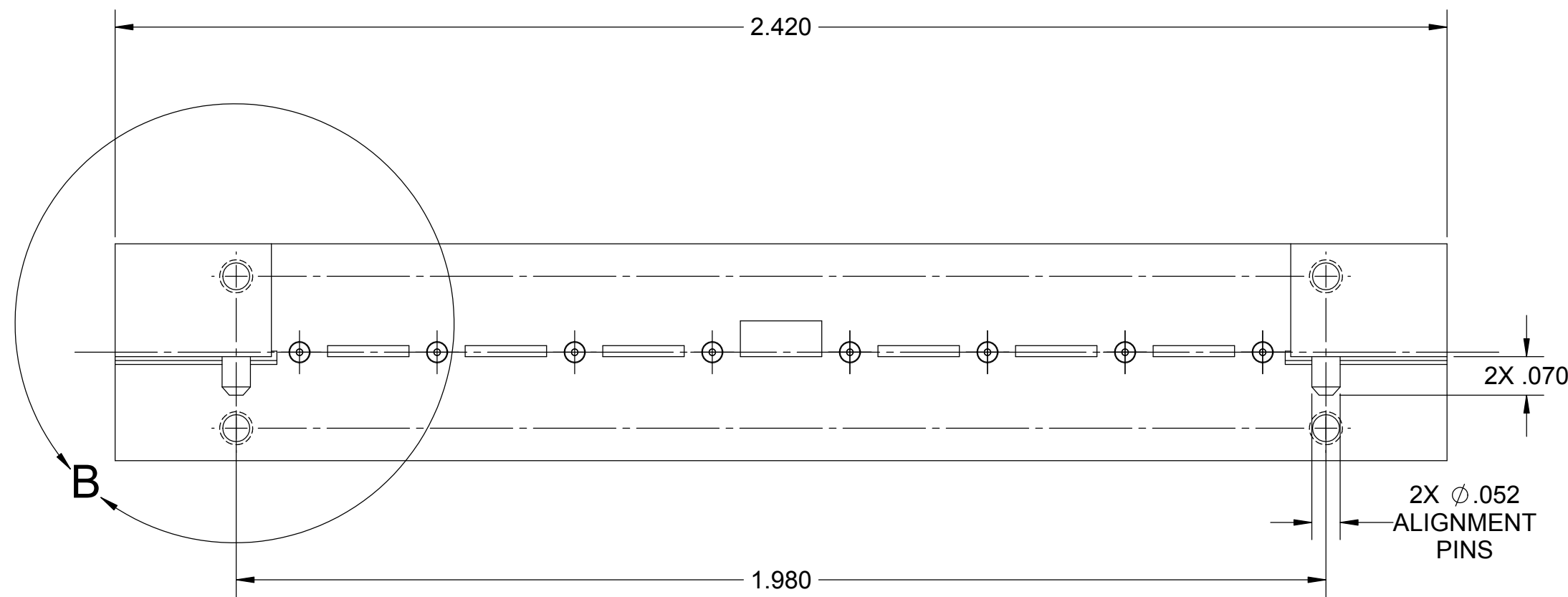
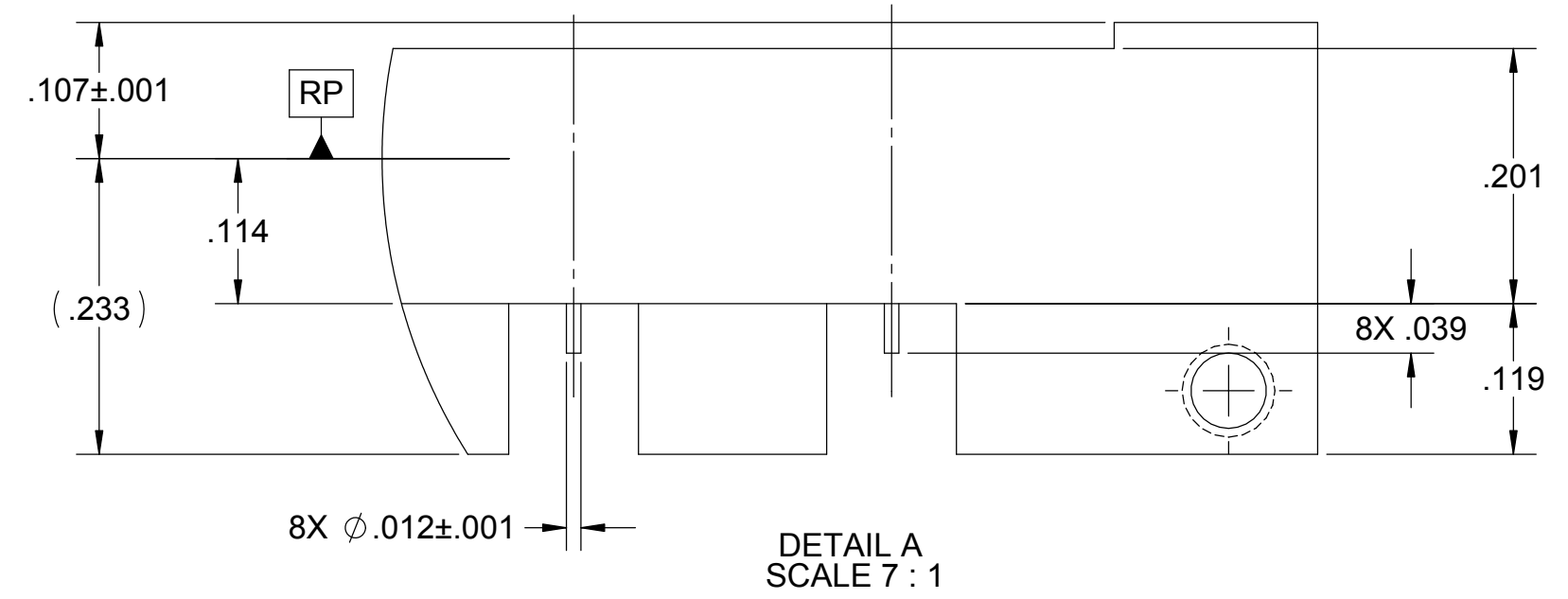
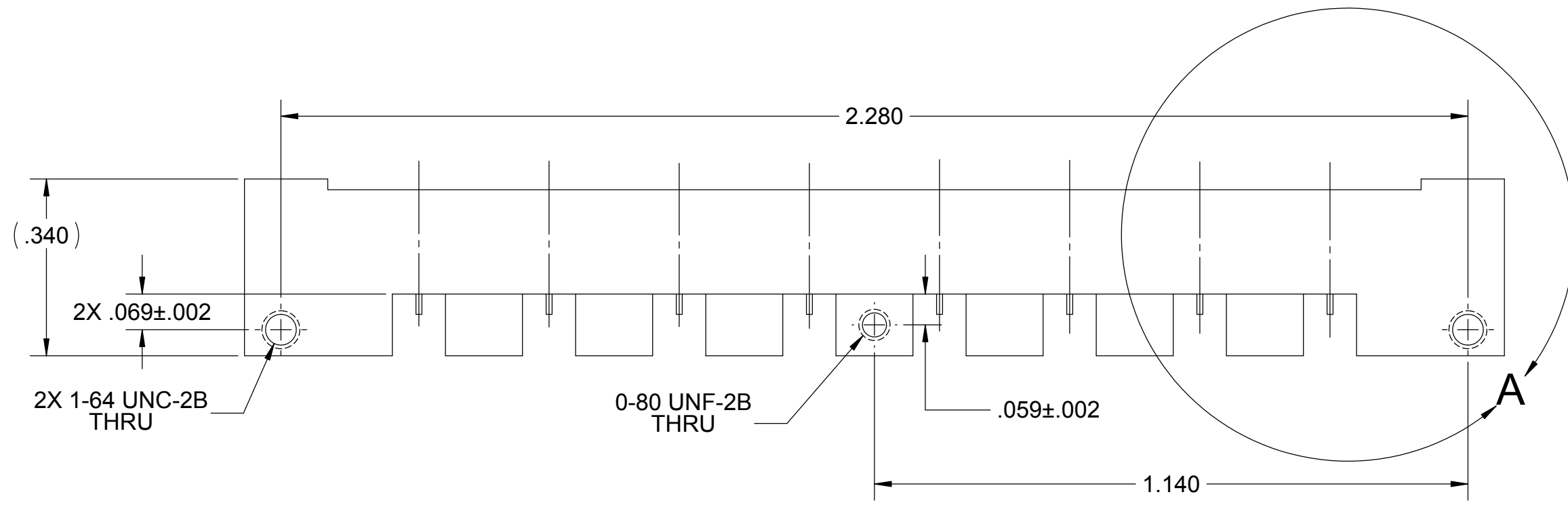


# PRODUCT DATA DRAWING

REVISION HISTORY			
REV.	DESCRIPTION	DATE	APPROVED
-	NRN 40630	05/16	STW



**MATERIAL:**

**BODY & SHROUDS:** STAINLESS STEEL PER AMS-5640, ALLOY UNS S30300, TYPE 1; OR ASTM A582 TYPE 303, COND. A

**CONTACTS:** BERYLLIUM COPPER PER ASTM B196, ALLOY No. UNS C17300, TD04

**INSULATORS:** PTFE PER ASTM D1710, TYPE I, GRADE 1, CLASS B

**FINISH:**

**BODY, SHROUDS, & CONTACTS:** GOLD PER ASTM B488, TYPE II, CODE C, CLASS 0.76, OVER NICKEL PER AMS-QQ-N-290, CLASS 1, .00010" MIN.

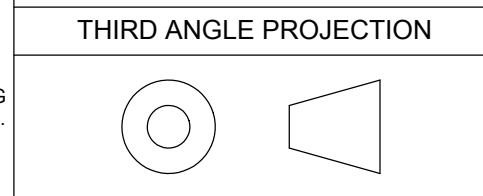
**PERFORMANCE:**

**IMPEDANCE:** 50 OHMS  
**FREQ. RANGE:** DC TO 65 GHZ.

<b>MATERIAL:</b>	SEE NOTES
<b>FINISH:</b>	SEE NOTES
DO NOT SCALE DRAWING	
<b>PROPRIETARY</b>	
<small>THE INFORMATION CONTAINED IN THIS DRAWING IS THE SOLE PROPERTY OF SV MICROWAVE, INC. ANY REPRODUCTION IN PART OR AS A WHOLE WITHOUT THE WRITTEN PERMISSION OF SV MICROWAVE, INC. IS PROHIBITED.</small>	

DIMENSIONS ARE IN INCHES  
TOLERANCES:  
ANGULAR: ±1°  
ONE PLACE DECIMAL ±.030  
TWO PLACE DECIMAL ±.010  
THREE PLACE DECIMAL ±.005

INTERPRET DIMENSIONS AND TOLERANCES PER ASME Y14.5M - 1994



UNLESS OTHERWISE SPECIFIED:

- ALL DIMENSIONS ARE AFTER PLATING.
- BREAK CORNERS & EDGES R.005 MAX.
- CHAMFER 1ST AND LAST THREAD.
- SURFACE ROUGHNESS 63 PER MIL-STD-10.
- DIA'S ON COMMON CENTERS TO BE CONCENTRIC WITHIN .005 T.I.R.
- REMOVE ALL BURRS.

DRAWN: FED 05/26/16  
CHECKED: STW 05/26/16  
APPROVED: STW 05/26/16  
E.M. SIMULATION:

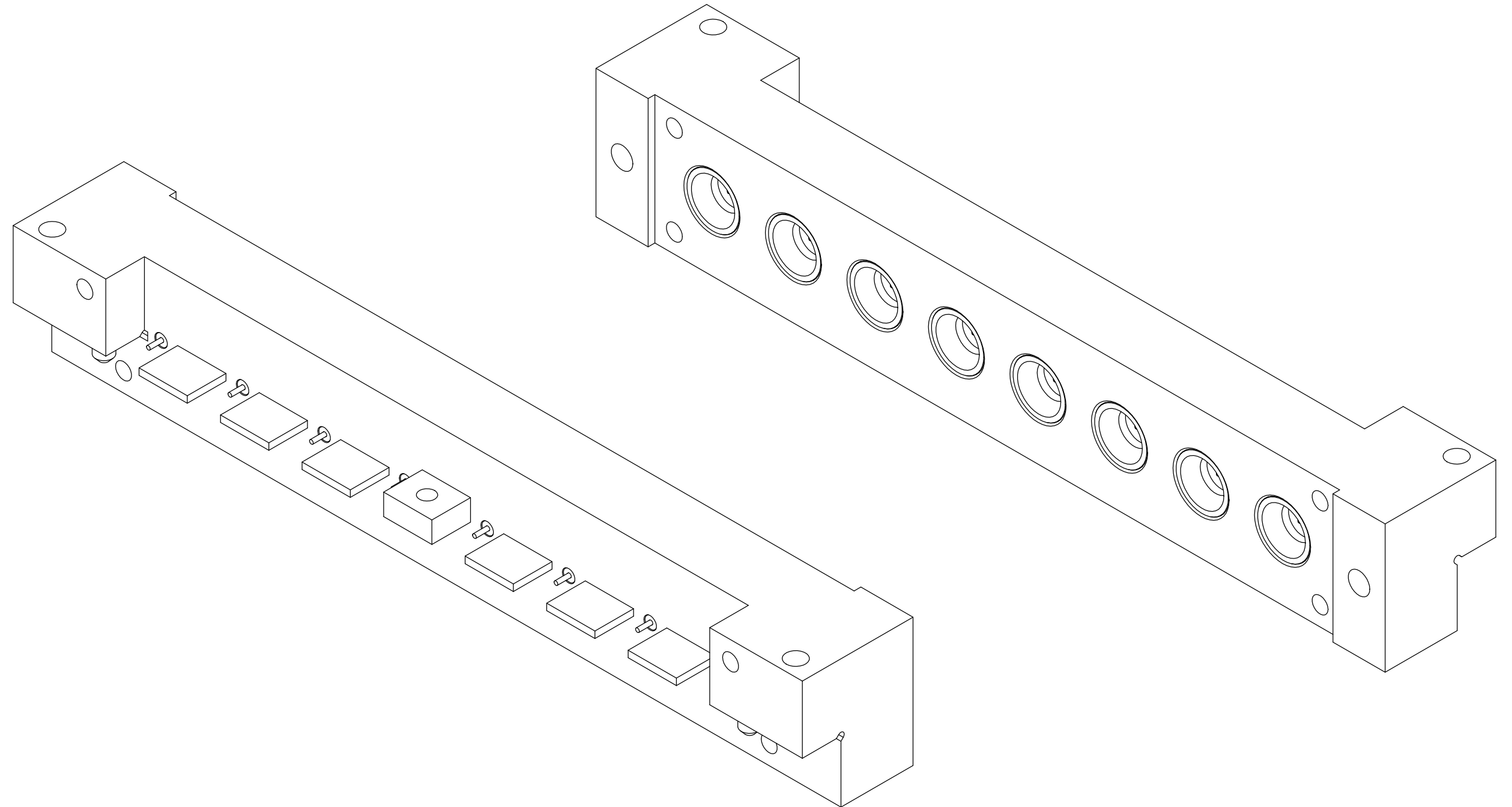
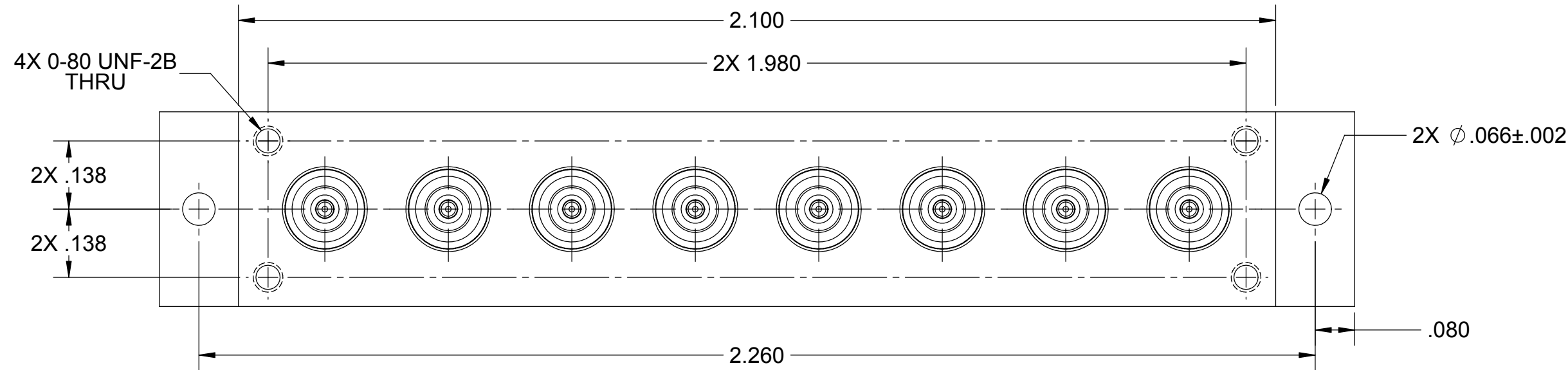
**SV Microwave, Inc.**  
2400 Centrepark West Drive, Suite 100  
West Palm Beach, FL 33409

**TITLE:** SMPM CM MALE 8-PORT EDGE LAUNCH

SIZE: <b>C</b>	CAGE CODE: <b>95077</b>	DWG. NO. <b>3211-60180</b>
SCALE: 4:1		SHEET 1 OF 2

# PRODUCT DATA DRAWING

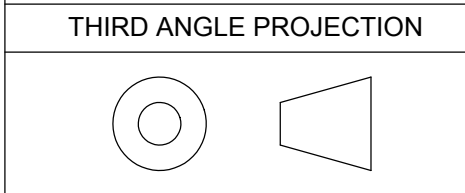
REVISION HISTORY			
REV.	DESCRIPTION	DATE	APPROVED
	SEE SHEET 1		



MATERIAL: SEE NOTES  
 FINISH: SEE NOTES  
 DO NOT SCALE DRAWING

**PROPRIETARY**  
 THE INFORMATION CONTAINED IN THIS DRAWING IS THE SOLE PROPERTY OF SV MICROWAVE, INC. ANY REPRODUCTION IN PART OR AS A WHOLE WITHOUT THE WRITTEN PERMISSION OF SV MICROWAVE, INC. IS PROHIBITED.

DIMENSIONS ARE IN INCHES  
 TOLERANCES:  
 ANGULAR: ±1°  
 ONE PLACE DECIMAL ±.030  
 TWO PLACE DECIMAL ±.010  
 THREE PLACE DECIMAL ±.005  
 INTERPRET DIMENSIONS AND TOLERANCES PER ASME Y14.5M - 1994



UNLESS OTHERWISE SPECIFIED:  
 1. ALL DIMENSIONS ARE AFTER PLATING.  
 2. BREAK CORNERS & EDGES R.005 MAX.  
 3. CHAMFER 1ST AND LAST THREAD.  
 4. SURFACE ROUGHNESS 63 PER MIL-STD-10.  
 5. DIA'S ON COMMON CENTERS TO BE CONCENTRIC WITHIN .005 T.I.R.  
 6. REMOVE ALL BURRS.

DRAWN: FED 05/26/16  
 CHECKED: STW 05/26/16  
 APPROVED: STW 05/26/16  
 E.M. SIMULATION:

**SV Microwave, Inc.**  
 2400 Centrepark West Drive, Suite 100  
 West Palm Beach, FL 33409

TITLE: **SMPM CM MALE 8-PORT EDGE LAUNCH**

SIZE: C	CAGE CODE: 95077	DWG. NO.: 3211-60180
SCALE: 4:1		SHEET 2 OF 2