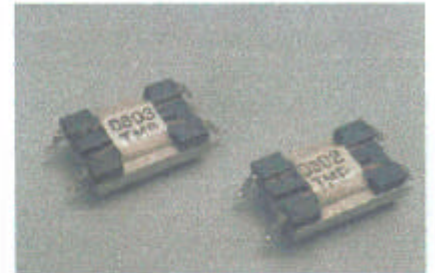


## MINI-LAN SMD PCMCIA TRANSFORMER

MODEL NO : SCT-0802 / SCT-0803  
FOR PCMCIA TYPE II MODEM CARD

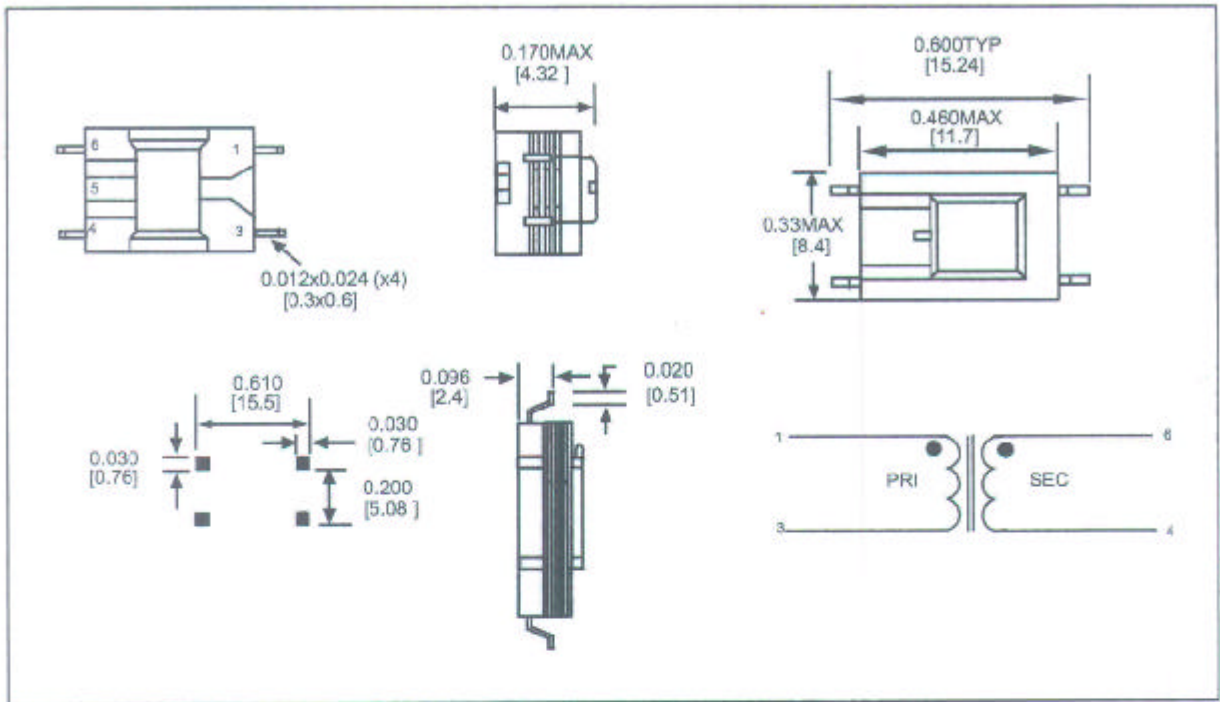
SAFETY:  
E182364 



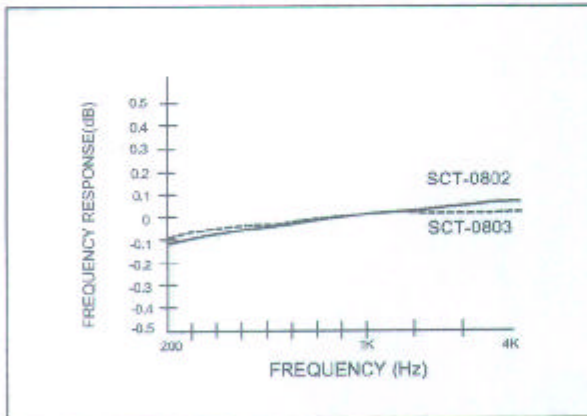
ELECTRICAL SPECIFICATION:

MODEL NO	SCT-0802	SCT-0803
SUITABLE FOR MODEM SPEEDS UP TO:	V.32 bis	V.34
COMPATIBLE WITH MIDCOM	671-8324	671-8412
IMPEDANCE RATIO (PRI : SEC)	600Ω:301Ω	600Ω:301Ω
DC RESISTANCE (±10%)	PRI: 150Ω SEC: 150Ω	PRI: 150Ω SEC:150Ω
TURN RATIO	1:1	1:1
INSERTION LOSS @1KHZ	3.3dB±0.25dB	3.3dB±0.25dB
RETURN LOSS @300HZ TO 3500 HZ	25dB MIN	25dB MIN
LONGITUDINAL BALANCE @ 200~1000HZ @ 1000~4000HZ	60dB MIN 40dB MIN	60dB MIN 40dB MIN
DC UNBALANCE CURRENT	0mA	0mA
TOTAL HARMONIC DISTORTION (THD) @ 600HZ, -10dBm	-76dB MAX	-82dB TYP
FREQUENCY RESPONSE @ 300HZ TO 3500HZ, REF TO 1KHZ	±0.15dB	±0.15dB
HI-POT (VAC FOR 1 MINUTE) PRI : SEC	1000 VAC	1000 VAC

PHYSICAL DIMENSION: UNIT : inch / [mm]



FREQUENCY RESPONSE CURVE:



RETURN LOSS VS FREQUENCY CURVE:

