

PLEASE CHECK WWW.MOLEX.COM FOR LATEST PART INFORMATION

Part Number: **0513361010**
Status: **Active**
Description: 1.25mm (.049") Pitch Mini Mi II™ System Wire-to-Board IDT Housing, Single Row, 10 Circuits

Documents:

[3D Model](#) [Product Specification PS-51336-010 \(PDF\)](#)
[Drawing \(PDF\)](#) [RoHS Certificate of Compliance \(PDF\)](#)

General

Product Family IDT and Solder Connectors
 Series [51336](#)
 Crimp Quality Equipment Yes
 Product Name Mini Mi II™

Physical

Circuits (Loaded) 10
 Color - Resin Natural
 Durability (mating cycles max) 30
 Gender Female
 Glow-Wire Compliant No
 Lock to Mating Part Yes
 Material - Metal Phosphor Bronze
 Material - Plating Mating Tin
 Material - Plating Termination Tin
 Material - Resin Polyester
 Number of Rows 1
 Packaging Type Bag
 Panel Mount No
 Pitch - Mating Interface (in) 0.049 In
 Pitch - Mating Interface (mm) 1.25 mm
 Plating min: Mating (µin) 36
 Plating min: Mating (µm) 0.90
 Plating min: Termination (µin) 36
 Plating min: Termination (µm) 0.90
 Polarized to Mating Part Yes
 Stackable No
 Temperature Range - Operating -40°C to +105°C
 Termination Interface: Style IDT or Pierce
 Wire Insulation Diameter 0.80-0.90mm (.031-.035")
 Wire Size AWG 26, 28

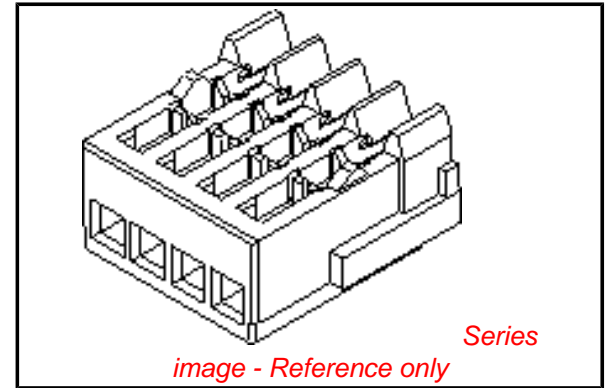
Electrical

Current - Maximum per Contact 1.5A
 Voltage - Maximum 100V

Material Info

Reference - Drawing Numbers

Product Specification PS-51336-010, RPS-51336-004, RPS-51336-005,
 RPS-51336-006, RPS-51336-009
 Sales Drawing SD-51336-001



EU RoHS

**ELV and RoHS
 Compliant**
**REACH SVHC
 Contains SVHC: No**
**Halogen-Free
 Status**

China RoHS



**Need more information on product
 environmental compliance?**

Email productcompliance@molex.com
 For a multiple part number RoHS Certificate of
 Compliance, [click here](#)

Please visit the [Contact Us](#) section for any
 non-product compliance questions.

Search Parts in this Series

[51336Series](#)

Mates With

[55447](#) Vertical Header, [55454](#) Right Angle
 Header

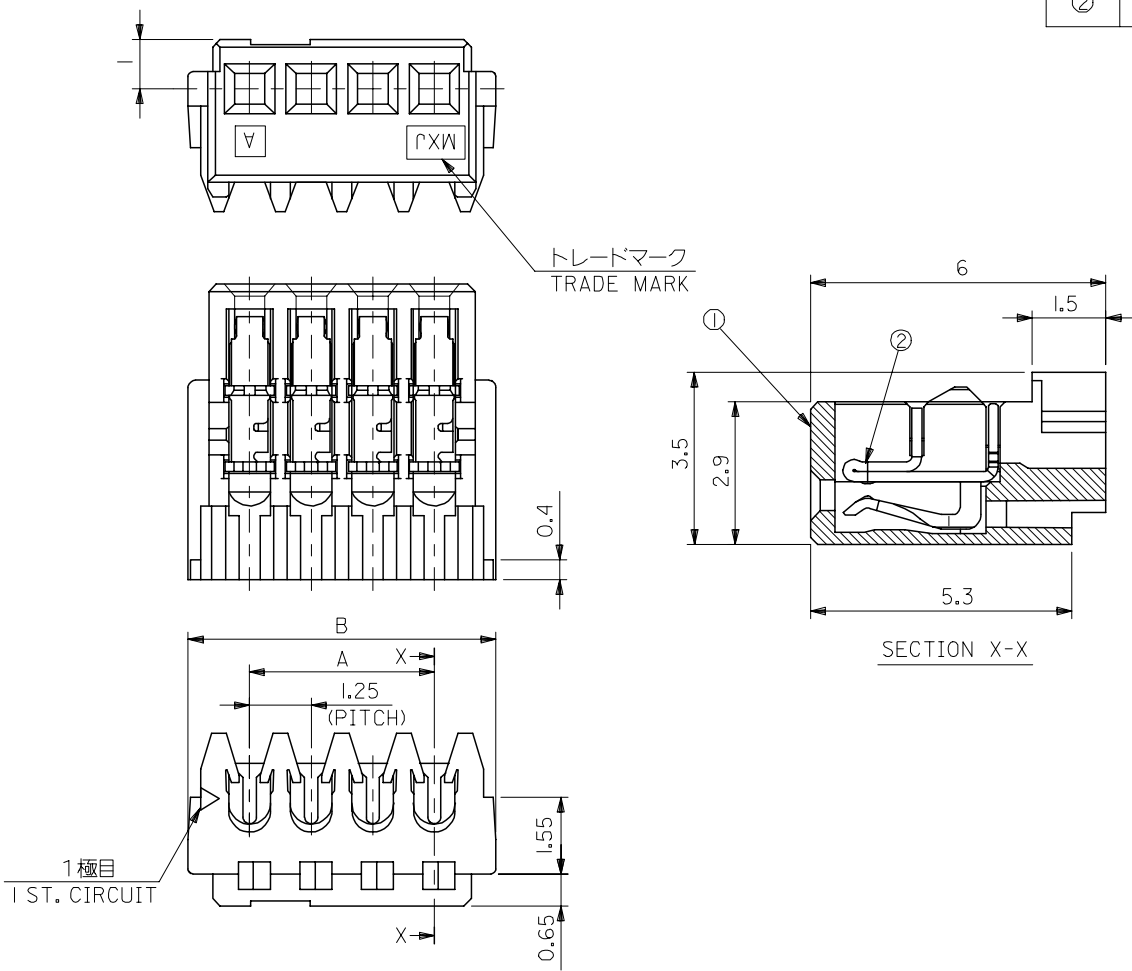
番号 NO.	名称 NAME	原料 MATERIAL	数量 QTY	仕上げ FINISH
①	ハウジング HOUSING	PBT PBT	1	ガラス30%, UL94V-0 G.F.30%
②	ターミナル TERMINAL	りん青銅 (+0.2) PHOSPHOR BRONZE(+0.2)	N	全体錫メッキ PRE-TINNED

注) NOTES

1. 原料および仕上げ: 表参照
MATERIAL AND FINISH : SEE CHART

△製品番号
MATERIAL NO.
51336-***

極数 CIRCUIT SIZE(O2 ~ 20)
色 COLOR 10: 白色 WHITE



極数	CIRCUIT SIZE	MATERIAL NO.	MODEL NO.
26.25	23.75	20	51336-201*
25	22.5	19	51336-191*
23.75	21.25	18	51336-181*
22.5	20	17	51336-171*
21.25	18.75	16	51336-161*
20	17.5	15	51336-151*
18.75	16.25	14	51336-141*
17.5	15	13	51336-131*
16.25	13.75	12	51336-121*
15	12.5	11	51336-111*
13.75	11.25	10	51336-101*
12.5	10	9	51336-091*
11.25	8.75	8	51336-081*
10	7.5	7	51336-071*
8.75	6.25	6	51336-061*
7.5	5	5	51336-051*
6.25	3.75	4	51336-041*
5	2.5	3	51336-031*
3.75	1.25	2	51336-021*
B	A	極数	△製品番号 MATERIAL NO. MODEL NO.

材料 MATERIAL	SEE CHART
仕上げ FINISH	SEE CHART
適用電線範囲 WIRE RANGE	AWG #26, #28
被覆外径 INS. RANGE	φ0.8 - φ0.9

RELEASED EC NO: J2006-1346 DRW: M.NABE 2005/11/25 CHK: K.TOYODA 2005/11/28 APPR: N.UKITA 2005/11/30	GENERAL TOLERANCES (UNLESS SPECIFIED)		DIMENSION STYLE MM ONLY		SCALE 10:1	DESIGN UNITS METRIC	THIRD ANGLE PROJECTION
	10 UNDER	±0.2	DRAWN BY DATE M.NABE 1 '05/10/24		TITLE MINI M12 REC. ASSY (SN)		
	10 OVER 30 UNDER	±0.25	CHECKED BY DATE K.TOYODA '05/10/24		MOLEX INCORPORATED		
	30 OVER	±0.3	APPROVED BY DATE N.UKITA '05/10/24				
	ANGULAR	±3 °	MATERIAL NO. SEE CHART		DOCUMENT NO. SD-51336-001	SHEET NO. 1 OF 1	
DRAFT WHERE APPLICABLE MUST REMAIN WITHIN DIMENSIONS		SIZE A3		THIS DRAWING CONTAINS INFORMATION THAT IS PROPRIETARY TO MOLEX INCORPORATED AND SHOULD NOT BE USED WITHOUT WRITTEN PERMISSION			