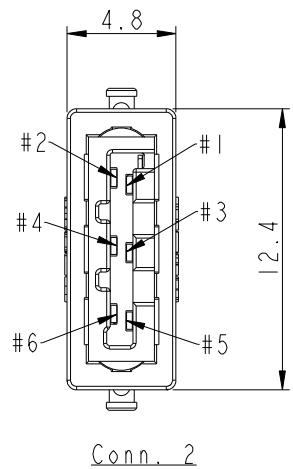
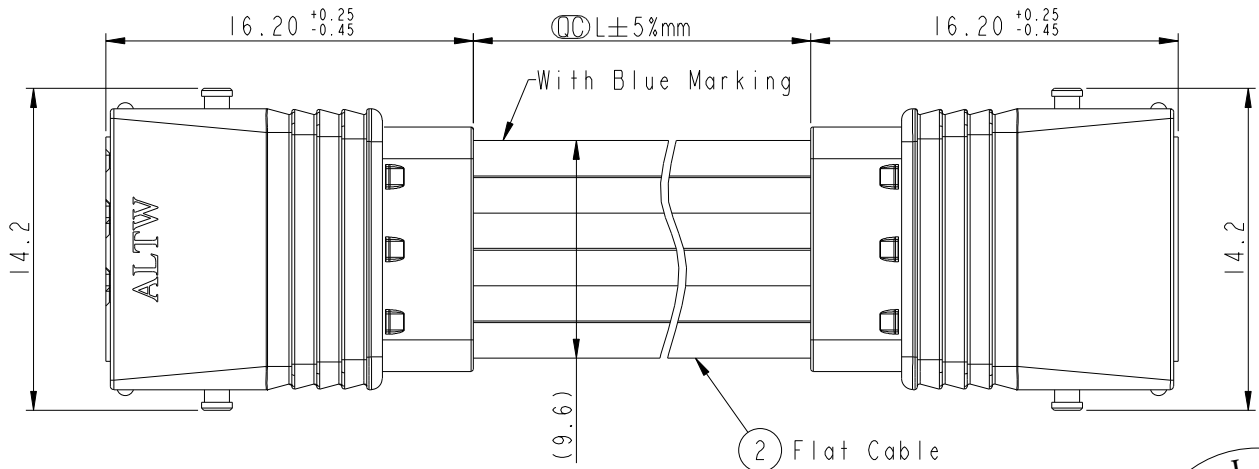
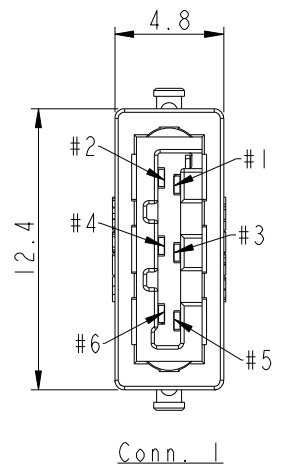
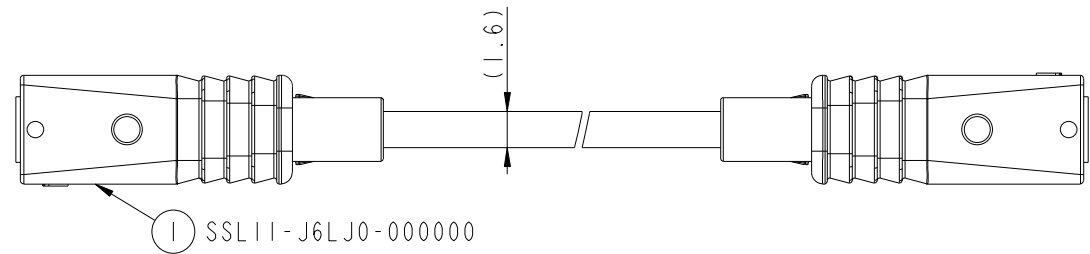


THIS DOCUMENT IS SUBJECT TO CHANGE WITHOUT NOTICE. IT IS CONFIDENTIAL AND A PROPERTY OF Amphenol LTW. DISCLOSURE TO THIRD PARTY HAS TO BE AUTHORIZED BY Amphenol LTW.

REV.	ECN NO.	DATE	SIGN	DESCRIPTION
A	Initial Release	2014-05-29	Fisher	Initial Release



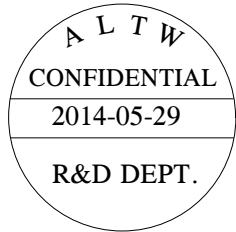
6	White	白	6
5	White	白	5
4	White	白	4
3	White	白	3
2	White	白	2
1	Blue	藍	1
Conn. 1	Wire Color	Conn. 2	
Pin Out			

SSL11-P6L2J-022DXX

06: L=600mm.  
Cable Length Range  
(L): 100~9900 mm

22: 22AWG

LOCK&LATCH OPTION  
0: W/O LOCK



- Notes:
- \* (CC) Important Dimensions To Check.
  - \* Housing: Thermoplastic, UL94V-0, Natural White.
  - \* Terminal: Copper Alloy, Gold Plated.
  - \* Hood: Thermoplastic, UL94V-0, Natural White.
  - \* SR Mold: PP, UL94V-0, Natural White.
  - \* Flat Cable: UL21016, 6F \* 22AWG, XLPE Insulation, White

UNIT:mm

TOLERANCE	
.X	±0.25
.XX	±0.1
.XXX	±0.05
ANGLES	±1°

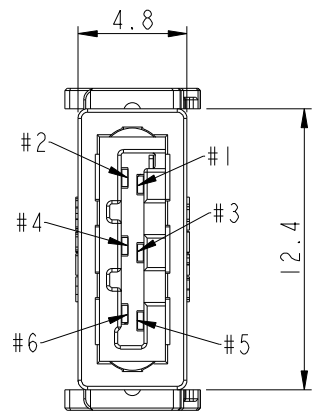
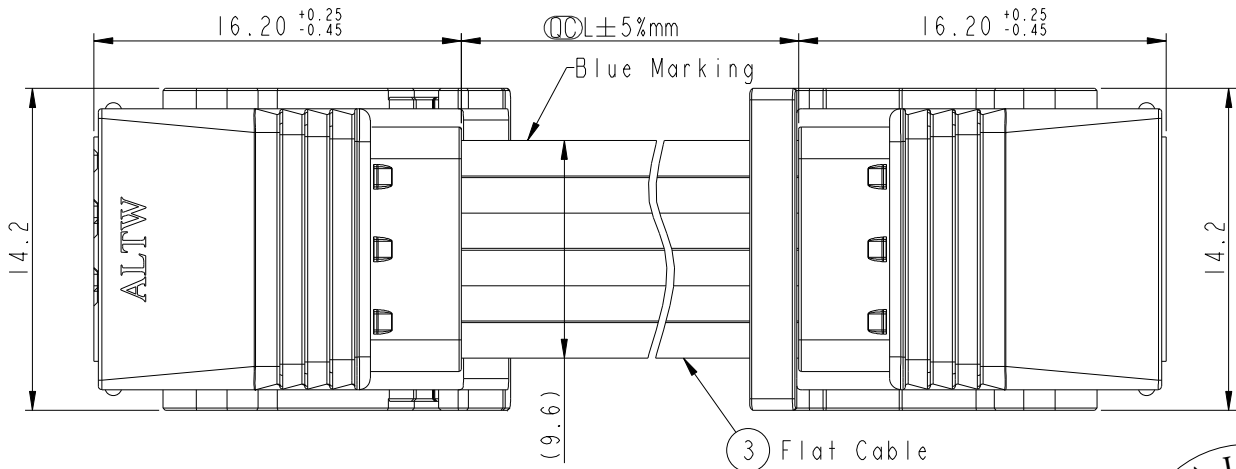
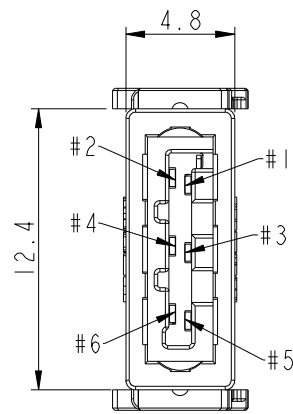
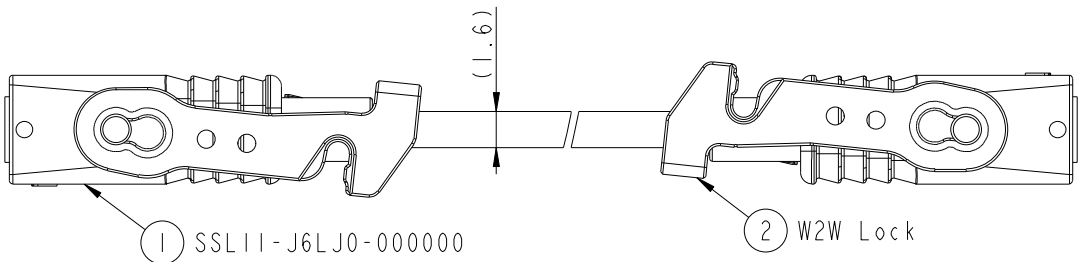
TITLE SSL1.1 Flat Cable, 6-Pos. W/O Lock, Jack to Jack			
SCALE	3:1	SIZE	A4
SHEET	1	OF	1
REV.	A	WC-REV.	A.3
CC: Inspection item			

**Amphenol LTW**  
安費諾亮泰企業股份有限公司

ITEM NO	DWG NO	CUSTOMER	DRAWN BY	DATE
SSL11-J6L2J-022DXX	SSL11-J6L2J-022DXX	ALTW	Fisher_Wang	2014-05-29
			CHECKED BY	DATE
			Ivan_Lin	2014-05-29
			APPROVED BY	DATE
			Kevin_Hu	2014-05-29

THIS DOCUMENT IS SUBJECT TO CHANGE WITHOUT NOTICE. IT IS CONFIDENTIAL AND A PROPERTY OF Amphenol LTW. DISCLOSURE TO THIRD PARTY HAS TO BE AUTHORIZED BY Amphenol LTW.

REV.	ECN NO.	DATE	SIGN	DESCRIPTION
A	Initial Release	2014-05-29	Fisher	Initial Release



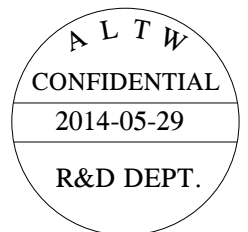
6	White	白	6
5	White	白	5
4	White	白	4
3	White	白	3
2	White	白	2
1	Blue	藍	1
Conn. 1	Wire Color	Conn. 2	
Pin Out			

SSL11-P6L2J-T22DXX

06: L=600mm.  
Cable Length Range  
(L): 100~9900 mm

22: 22AWG

LOCK&LATCH OPTION  
T: W2W LOCK X 2



- Notes:
- \* (CC) Important Dimensions To Check.
  - \* Housing: Thermoplastic, UL94V-0, Natural White.
  - \* Terminal: Copper Alloy, Gold Plated.
  - \* Hood: Thermoplastic, UL94V-0, Natural White.
  - \* SR Mold: PP, UL94V-0, Natural White.
  - \* W2W Lock: Thermoplastic, UL94V-0, Natural White.
  - \* Flat Cable: UL21016, 6F \* 22AWG, XLPE Insulation, White

<b>UNIT:mm</b>		
TOLERANCE		
.X	±0.25	
.XX	±0.1	
.XXX	±0.05	
ANGLES	±1°	

TITLE SSL1.1 Flat Cable, 6-Pos. W2W Lock X 2, Jack to Jack			
SCALE	SIZE	SHEET	OF
3:1	A4	1	1
REV.	WC-REV.	CC: Inspection item	
A	A.4		

**Amphenol LTW**  
安費諾亮泰企業股份有限公司

ITEM NO	DRAWN BY	DATE
	Fisher_Wang	2014-05-29
DWG NO	CHECKED BY	DATE
SSL11-J6L2J-T22DXX	Ivan_Lin	2014-05-29
CUSTOMER	APPROVED BY	DATE
ALTW	Kevin_Hu	2014-05-29