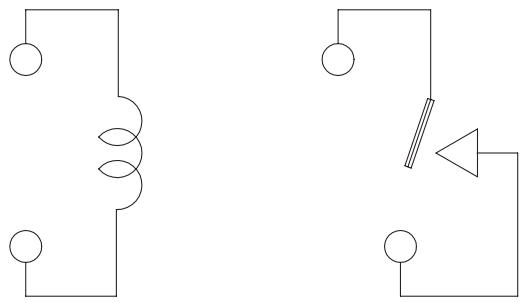
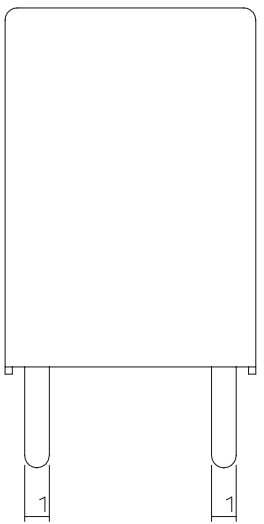
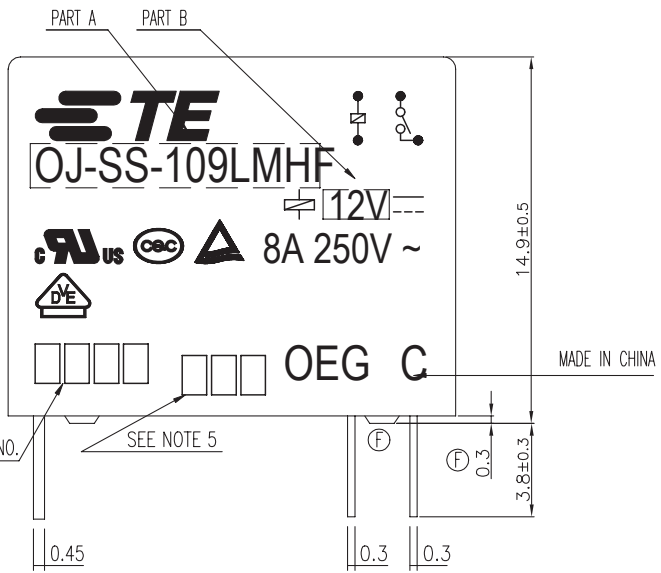
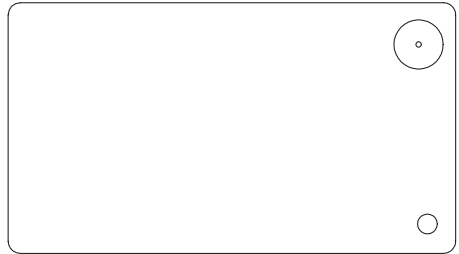


| LOC | DIST | REVISIONS | | | |
|-----|------|-------------|--------------------------|-----------|-------------|
| P | LTR | DESCRIPTION | DATE | DWN | APVD |
| HB | - | F2 | ADD NEW PN ECO-20-012247 | 01-SEP-20 | WQ.Y K.T |



CONNECTION FIGURE

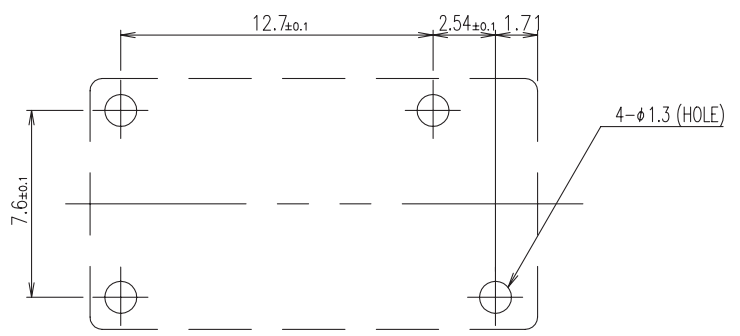
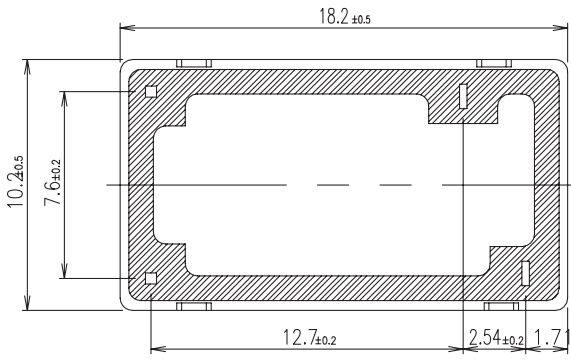


FIGURE FOR PRINTED CIRCUIT BOARD PROCESSING (BOTTOM VIEW)

| Diagram dimension | Tolerance |
|-------------------|-----------|
| 0.99mm max. | ±0.1mm |
| 1 - 2.99mm | ±0.2mm |
| 3mm min. | ±0.3mm |



| | | | | |
|--|-------|------------------|----------------------------------|---------------|
| THIS DRAWING IS A CONTROLLED DOCUMENT. | | DWN | H.SASAKI | - |
| DIMENSIONS: mm | | CHK | N.FUNAYAMA | - |
| TOLERANCES UNLESS OTHERWISE SPECIFIED: | | APVD | A.NAGAI | - |
| | 0 PLC | ± - | NAME | |
| | 1 PLC | ± - | - | |
| | 2 PLC | ± - | OJ-LMH STANDARD CUSTOMER DRAWING | |
| | 3 PLC | ± - | - | |
| MATERIAL | | PRODUCT SPEC | - | |
| FINISH | | APPLICATION SPEC | - | |
| - | | WEIGHT | SIZE | RESTRICTED TO |
| - | | - | A3 | - |
| - | | CUSTOMER DRAWING | CAGE CODE | DRAWING NO |
| - | | - | 00779 | 1721083 |
| - | | SCALE | SHEET | REV |
| - | | 5:1 | 1 of 2 | F2 |

4

3

2

1

THIS DRAWING IS UNPUBLISHED. RELEASED FOR PUBLICATION
 © COPYRIGHT - By - TE CONNECTIVITY ALL RIGHTS RESERVED.

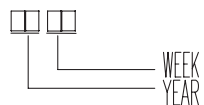
| LOC | DIST | REVISIONS | | | | | |
|-----|------|-----------|-----|-------------|------|-----|------|
| | | P | LTR | DESCRIPTION | DATE | DWN | APVD |
| HB | - | - | - | SEE SHEET 1 | - | - | - |

| Ⓜ | ACTIVE | TE PART NO | DESCRIPTION | PART B | PART A | TYPE |
|---|-------------|------------|----------------------|--------|---------------|------|
| | ACTIVE | 1721083-8 | OJ-SH-112LMHF,00000 | 12V | OJ-SS-112LMHF | J |
| | ACTIVE | 1721083-7 | OJ-SS-112LMHF, 000T0 | 12V | OJ-SS-112LMHF | h |
| | OBSOLETE | 1721083-6 | OJ-SS-118LMHF, 000 | 18V | OJ-SS-118LMHF | g |
| | ACTIVE | 1721083-5 | OJ-SS-109LMHF, 000 | 9V | OJ-SS-109LMHF | f |
| | OBSOLETE | 1721083-4 | OJ-SS-106LMHF, 000 | 6V | OJ-SS-106LMHF | e |
| | OBSOLETE | 1721083-3 | OJ-SS-105LMHF, 000 | 5V | OJ-SS-105LMHF | d |
| | OBSOLETE | 1721083-2 | OJ-SS-103LMHF, 000 | 3V | OJ-SS-103LMHF | c |
| | ACTIVE | 1721083-1 | OJ-SS-112LMHF, 000 | 12V | OJ-SS-112LMHF | b |
| | ACTIVE | 1461014-2 | OJ-SS-124LMHF, 000 | 24V | OJ-SS-124LMHF | a |
| | PART STATUS | TE PART NO | DESCRIPTION | PART B | PART A | TYPE |

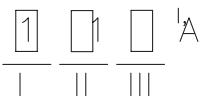
RELAY TYPE

NOTES:

1.LOT NO. SYSTEM AS FOLLOWING:



5.ADD LOT NO. SYSTEM AS FOLLOWING;



I, DIGITS FOR DAY OF THE WEEK
 1...MONDAY IN THIS WEEK;
 2...TUESDAY IN THIS WEEK;

 7...SUNDAY IN THIS WEEK
 II, DIGITS FOR SHIFT OF THE DAY
 1...DAY SHIFT IN THIS DAY;
 2...NIGHT SHIFT IN THIS DAY;
 III, ONE CHARACTER DISTINGUISH THE LINE IDENTITY,
 SUCH AS: A,B.....Z

2.TERMINAL DIMENSION IS BEFORE SOLDER DIP;

3.FOR THE TIN-PLATING OF THE PINS:
 +0.1mm FOR WIDTH,THICKNESS AND DIAMETER.
 +0.5mm FOR LENGTH.

4.MARKING FROM INK TO LASER AND WELDED CONTACT

| INCOMBUSTIBILITY | TREATMENT | MATERIAL | DESCRIPTION | ITEM |
|------------------|------------|-------------|----------------------|------|
| | | EPOXY RESIN | SEAL (BASE & BOBBIN) | 15 |
| | | MW79 | MAGNETIC WIRE | 14 |
| 94V-0 | | P.B.T | CASE | 13 |
| 94V-0 | | P.B.T | BASE | 12 |
| 94VHB | | NYRON | BOBBIN | 11 |
| | SOLDER DIP | C.P WIRE | COIL TERMINAL | 10 |
| 94V-0 | | P.P.S | CARD | 9 |
| | | Ag ALLOY | MOVABLE CONTACT | 8 |
| | | Ag ALLOY | NO.CONTACT | 7 |
| | | STEEL | HINGE SPRING | 6 |
| | SOLDER DIP | Cu ALLOY | NO.TERMINAL | 5 |
| | SOLDER DIP | Cu ALLOY | MOVABLE SPRING | 4 |
| | NIP | STEEL | CORE | 3 |
| | NIP | STEEL | ARMATURE | 2 |
| | NIP | STEEL | YOKE | 1 |

| | | | | | |
|--|--|--|------------|---------------|--|
| THIS DRAWING IS A CONTROLLED DOCUMENT. | | DWN | - | | |
| | | CHK | H,SASAKI | | |
| | | APVD | N,FUNAYAMA | | |
| | | APVD | A,NAGAI | | |
| DIMENSIONS: mm | | TOLERANCES UNLESS OTHERWISE SPECIFIED: | | NAME | |
| | | 0 PLC ± - | | - | |
| | | 1 PLC ± - | | - | |
| | | 2 PLC ± - | | - | |
| | | 3 PLC ± - | | - | |
| | | 4 PLC ± - | | - | |
| | | ANGLES ± - | | - | |
| MATERIAL | | FINISH | | SIZE | |
| - | | - | | A3 | |
| | | WEIGHT | | CAGE CODE | |
| | | - | | 00779 | |
| | | CUSTOMER DRAWING | | DRAWING NO | |
| | | | | 1721083 | |
| | | SCALE | | RESTRICTED TO | |
| | | 5:1 | | - | |
| | | SHEET | | REV | |
| | | 2 of 2 | | F2 | |