

PLEASE CHECK WWW.MOLEX.COM FOR LATEST PART INFORMATION

Part Number: **0190030021**
Status: **Active**
Description: InsulKrimp™ Quick Disconnect, Female, for 18-22 (0.80-0.35), Box, Tab 4.75mm (.187") x 0.81mm (.032")

Documents:

[Drawing \(PDF\)](#) [RoHS Certificate of Compliance \(PDF\)](#)
[Product Specification PS-19902-008 \(PDF\)](#)

Agency Certification

CSA LR18689
 UL E79133

General

Product Family Quick Disconnects
 Series 19003
 Comments Funnel Entry
 Crimp Quality Equipment Yes
 Product Name InsulKrimp™
 Type Quick Disconnect

Physical

Barrel Type Closed
 Color - Resin Natural
 Flammability 94V-2
 Gender Female
 Glow-Wire Compliant No
 Insulation Nylon (PA)
 Lock to Mating Part None
 Material - Metal Brass
 Material - Plating Mating Tin
 Material - Plating Termination Tin
 Material - Resin Nylon
 Orientation Straight
 Packaging Type Bag
 Plating min: Mating (µin) 160
 Plating min: Mating (µm) 4
 Plating min: Termination (µin) 160
 Plating min: Termination (µm) 4
 Polarized to Mating Part No
 Tab Thickness 0.81mm (.032")
 Tab Width 4.75mm (.187")
 Temperature Range - Operating -65°C to +105°C
 Termination Interface: Style Crimp or Compression
 Wire Insulation Diameter 5.84mm (.230") max.
 Wire Size AWG 18, 20, 22
 Wire Size mm² 0.35 - 0.80

Electrical

Voltage - Maximum 600V

Material Info

Old Part Number AA-2203X

Reference - Drawing Numbers

Product Specification PS-19902-008
 Sales Drawing SD-19003-006

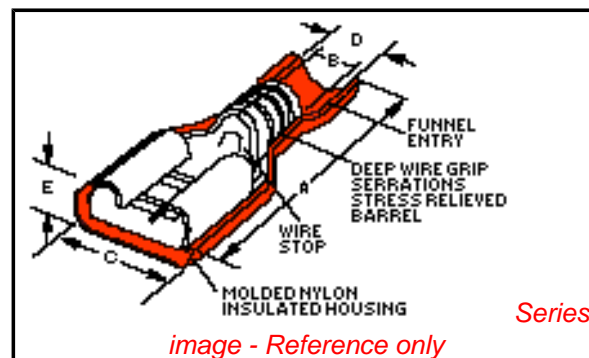


image - Reference only

EU RoHS

ELV and RoHS Compliant

REACH SVHC

Not Reviewed

Halogen-Free

Status

Not Reviewed

China RoHS



Need more information on product environmental compliance?

Email productcompliance@molex.com
 For a multiple part number RoHS Certificate of Compliance, [click here](#)

Please visit the [Contact Us](#) section for any non-product compliance questions.

Search Parts in this Series

19003Series

Application Tooling | FAQ

Tooling specifications and manuals are found by selecting the products below. Crimp Height Specifications are then contained in the Application Tooling Specification document.

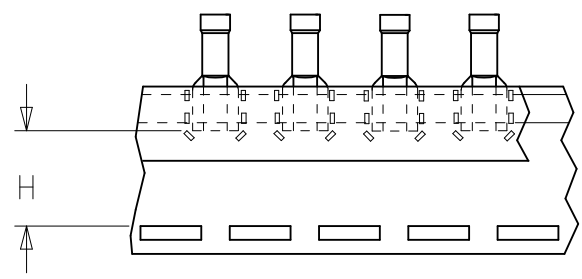
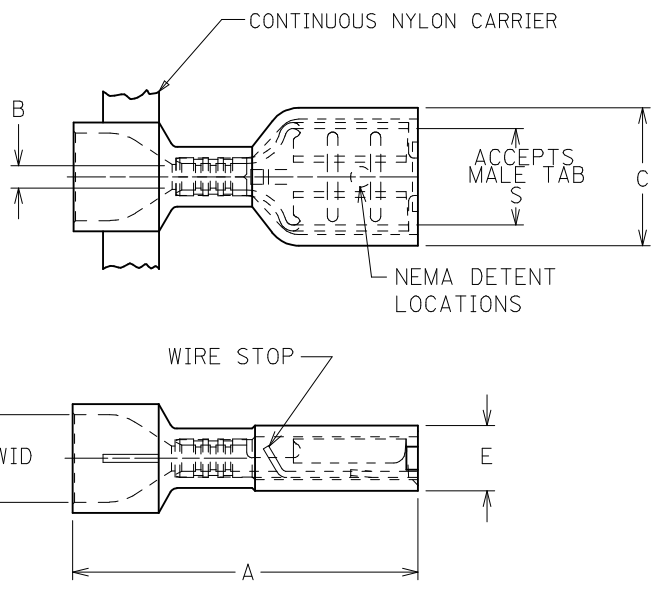
Global

| Description | Product # |
|--|-------------------|
| Hand Crimp Tool | <u>0640010400</u> |
| Hand Crimp Tool | <u>0640010700</u> |
| Crimp Head for the AT-200™ Pneumatic Hand Tool | <u>0640050400</u> |

This document was generated on 04/13/2010

PLEASE CHECK WWW.MOLEX.COM FOR LATEST PART INFORMATION

| 10 | 9 | 8 | 7 | 6 | 5 | 4 | 3 | 2 | | | | | |
|-------------------------|--------------------------|------------------------|-----------------------|---------------|-------------------|-----------------------|--------------------|-------------|-------------|-------------|-------------|-------------|----------------|
| MATERIAL # LOOSE PCS | MATERIAL # CONTINUOUS | MATERIAL # TAPE MNT | MOLEX-ETC PART NO. | INS. COLOR | WIRE RANGE AWG | FITS MALE TAB SIZE | STOCK THICK REF | "A" MAX | "B" MIN. | "C" MAX. | "D" MWID | "E" MAX. | "H" NOMINAL |
| 190030008 | 190030009 | 190030010 | AA-2201X | RED | 22-18 | .250x.032 (6.35x0.81) | .016 (0.4) | .94 (23.9) | .058 (1.47) | .380 (9.66) | .230 (5.84) | .180 (4.58) | .56 (14.2) |
| NOTE 5 | NOTE 5 | NOTE 5 | AA-2213X | RED | 22-18 | .205x.020 (5.21x0.51) | .016 (0.4) | .86 (21.8) | .058 (1.47) | .316 (8.03) | .230 (5.84) | .160 (4.07) | .60 (15.3) |
| NOTE 5 | NOTE 5 | NOTE 5 | AA-2214X | PINK (B) | 22-18 | .205x.032 (5.21x0.81) | .016 (0.4) | .86 (21.8) | .058 (1.47) | .316 (8.03) | .230 (5.84) | .160 (4.07) | .60 (15.3) |
| 190030014 | 190030015 | 190030016 | AA-2202X | RED | 22-18 | .187x.020 (4.75x0.51) | .016 (0.4) | .86 (21.8) | .058 (1.47) | .316 (8.03) | .230 (5.84) | .160 (4.07) | .60 (15.3) |
| 190030021 | 190030022 | 190030023 | AA-2203X | PINK (B) | 22-18 | .187x.032 (4.75x0.81) | .016 (0.4) | .86 (21.8) | .058 (1.47) | .316 (8.03) | .230 (5.84) | .160 (4.07) | .60 (15.3) |
| 190030027 | 190030028 | 190030029 | AA-2204X | RED | 22-18 | .110x.020 (2.79x0.51) | .012 (0.3) | .86 (21.8) | .058 (1.47) | .230 (5.85) | .230 (5.84) | .150 (3.81) | .61 (15.5) |
| 190030033 | 190030034 | 190030035 | AA-2205X | PINK (B) | 22-18 | .110x.032 (2.79x0.81) | .012 (0.3) | .86 (21.8) | .058 (1.47) | .230 (5.85) | .230 (5.84) | .150 (3.81) | .61 (15.5) |
| 190030047 | 190030048 | 100030049 | BB-2206X | BLUE | 16-14 | .250x.032 (6.35x0.81) | .016 (0.4) | .94 (23.9) | .083 (2.10) | .380 (9.66) | .260 (6.60) | .180 (4.58) | .56 (14.2) |
| NOTE 5 | NOTE 5 | NOTE 5 | BB-2215X | BLUE | 16-14 | .205x.020 (5.21x0.51) | .016 (0.4) | .86 (21.8) | .083 (2.10) | .316 (8.03) | .260 (6.60) | .170 (4.32) | .60 (15.3) |
| NOTE 5 | NOTE 5 | NOTE 5 | BB-2216X | AQUA (B) | 16-14 | .205x.032 (5.21x0.81) | .016 (0.4) | .86 (21.8) | .083 (2.10) | .316 (8.03) | .260 (6.60) | .170 (4.32) | .60 (15.3) |
| 190030053 | 190030054 | 190030055 | BB-2207X | BLUE | 16-14 | .187x.020 (4.75x0.51) | .016 (0.4) | .86 (21.8) | .083 (2.10) | .316 (8.03) | .260 (6.60) | .170 (4.32) | .60 (15.3) |
| 190030059 | 190030060 | 190030061 | BB-2208X | AQUA (B) | 16-14 | .187x.032 (4.75x0.81) | .016 (0.4) | .86 (21.8) | .083 (2.10) | .316 (8.03) | .260 (6.60) | .170 (4.32) | .60 (15.3) |
| 190050010 | 190050014 | 190050015 | C-2265 | YELLOW | 12-10 | .250x.032 (6.35x0.81) | .018 (0.5) | 1.04 (26.4) | .150 (3.81) | .380 (9.66) | .275 (6.98) | .290 (7.37) | .51 (12.9) |



PARTS ON TAPE

CUSTOMER DRAWING

1. MATERIAL: BRASS
2. FINISH: ELECTRO-TIN PLATING
3. INSULATION: NYLON
4. MWID= MAXIMUM WIRE INSULATION DIAMETER
5. CONSULT FACTORY FOR AVAILABILITY
6. PART IS ROHS COMPLIANT.

| | | | | | | | | | |
|--|-------------------------------|---|--|--------------------------|------------------------------|--|----------------------|------------------------|--|
| REDRAW, COLOR CHGS EC NO: WNA2008-0135 /DRW: HETHRODAHL 2008/09/23 /CHKD: JMACNEIL 2008/09/23 /APPR: JMACNEIL 2008/09/25 B | QUALITY SYMBOLS ▽=0 ▽=0 | GENERAL TOLERANCES (UNLESS SPECIFIED) | | DIMENSION STYLE IN/MM | | SCALE --- | DESIGN UNITS INCH | THIRD ANGLE PROJECTION | |
| | | 4 PLACES ± --- ± --- 3 PLACES ± --- ± --- 2 PLACES ± --- ± --- 1 PLACE ± --- ± --- | mm INCH | DRAWN BY RCM | DATE 1994/06/17 | FULLY INSULATED QUICK DISCONNECTS EXPANDED FLARE | | | |
| | | ANGULAR ± ---° | DRAFT WHERE APPLICABLE MUST REMAIN WITHIN DIMENSIONS | CHECKED BY JM | DATE 1994/06/17 | MOLEX INCORPORATED | | | |
| | | MATERIAL NO. SEE CHART | APPROVED BY FP | DATE 1994/06/17 | DOCUMENT NO. SD-19003-006 | SHEET NO. 1 OF 1 | | | |