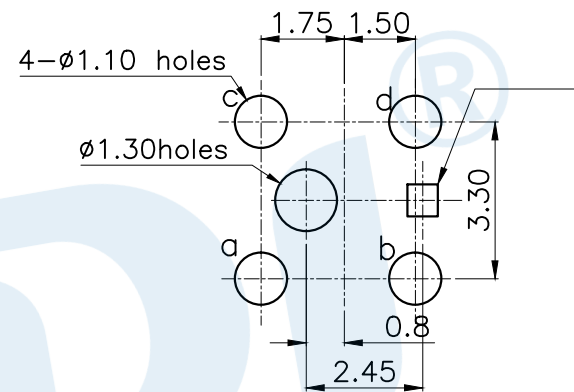
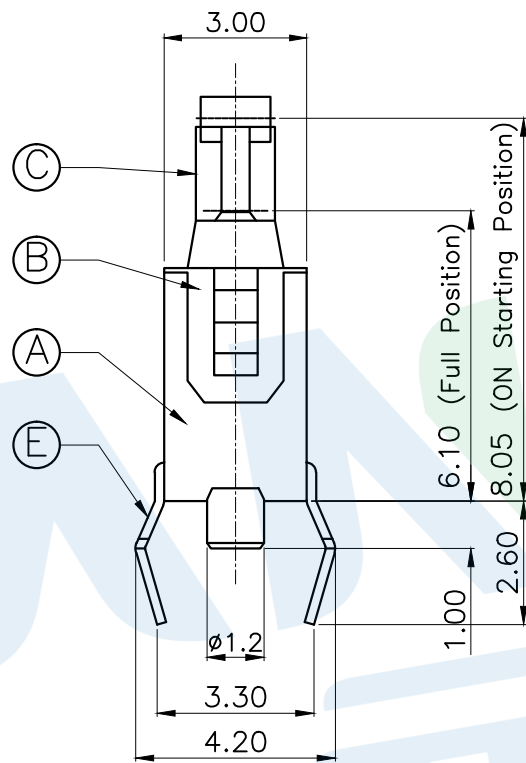
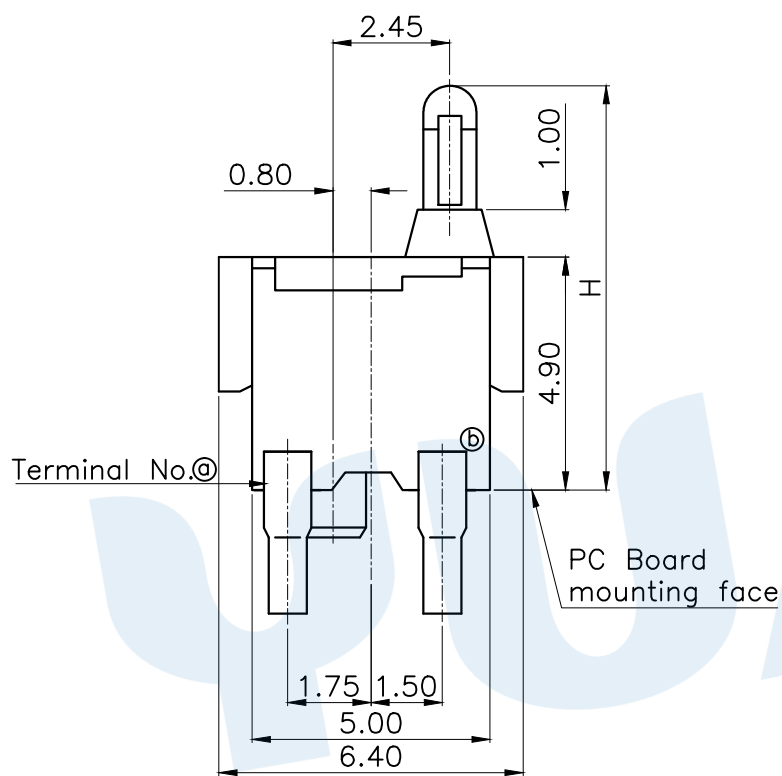
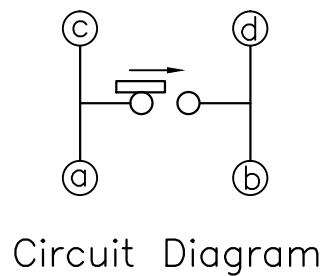


RoHS



PCB Layout(Pattern side)



Circuit Diagram

TOTAL HEIGHT	
CODE	H
A1	7.5
A2	8.5
A3	9.5
A4	10
A5	11

Technical Parameters

1. Rated current: DC 30V 0.1A
2. Operating force:  $40 \pm 10$ gf
3. Mechanical life: 100,000 times

NO.	Name	Number	Qty	Materil	Remarks
(E)	Terminal		4	Brass	Silvering
(D)	Contact Spring		1	Phosphor bronze	Silvering
(C)	Button		1	Nylon	Black
(B)	Cover		1	Nylon	Black
(A)	Base		1	Nylon	Black

YUANDI® Yuandi Electronics Co, Ltd

design	date	name	DETECTION SWITCH
Review	date	model	TQ-2521
Approved	date		

Drawing number: Proportion 1:1 unit mm gage number A4

modify Review Approved Tolerance not specified