

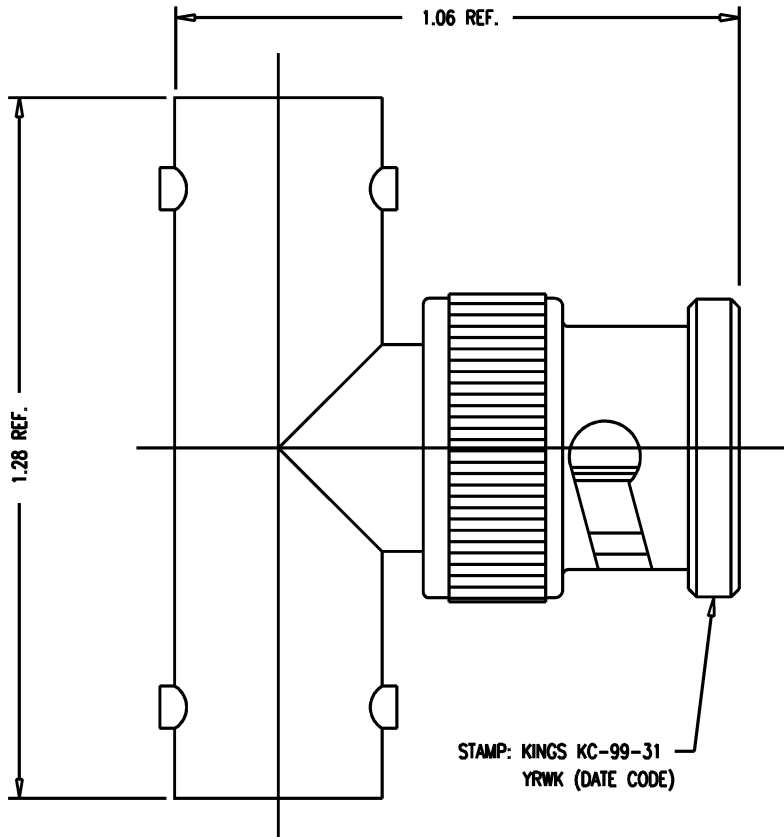
DASH NO.	M CODE	MADE FROM
----------	--------	-----------

# GSD

KC-99-31

## REVISIONS

ISSUE	CHANGES
4	CN 33144 C REDRAWN JCA 06/11/91
5	CN 35741 C KVH 09/06/94
6	CN 39966 C BAM 06/12/07



### NOTES:

- MATERIALS:**  
 INSULATORS: TEFLON, ASTM-D-1457  
 GASKET: SIL. RUB., QQ-R-765  
 OUTER CONTACT: PHOS. BRONZE, QQ-B-750  
 SPRING WASHER } BER. COP., ASTM-D-196  
 CONTACT F }  
 ALL OTHER PARTS: BRASS, ASTM-B16
- FINISHES:**  
 CENTER CONTACTS: SILVER PLATE PER QQ-S-365  
 ALL OTHER METAL PARTS: KINGS TARNISH RESISTANT FINISH (TR-5)
- ELECTRICAL CHARACTERISTICS:**  
 NOMINAL IMPEDANCE: 50 OHMS  
 VOLTAGE RATING: 500 VRMS  
 FREQUENCY RANGE: DC TO 4 GHz

JCA1730

SCALE 4:1

APPROX SURFACE AREA

USED ON

REF:

ADPT, F-M-F, TEE, BNC

DRAWN	JCA	DATE	06/11/91
-------	-----	------	----------

DESIGN	LJ	DATE	06/11/91
--------	----	------	----------

APPR.		DATE	
-------	--	------	--

A Winchester Electronics Company  
 ROCK HILL, SOUTH CAROLINA, 29730

# GSD

KC-99-31