

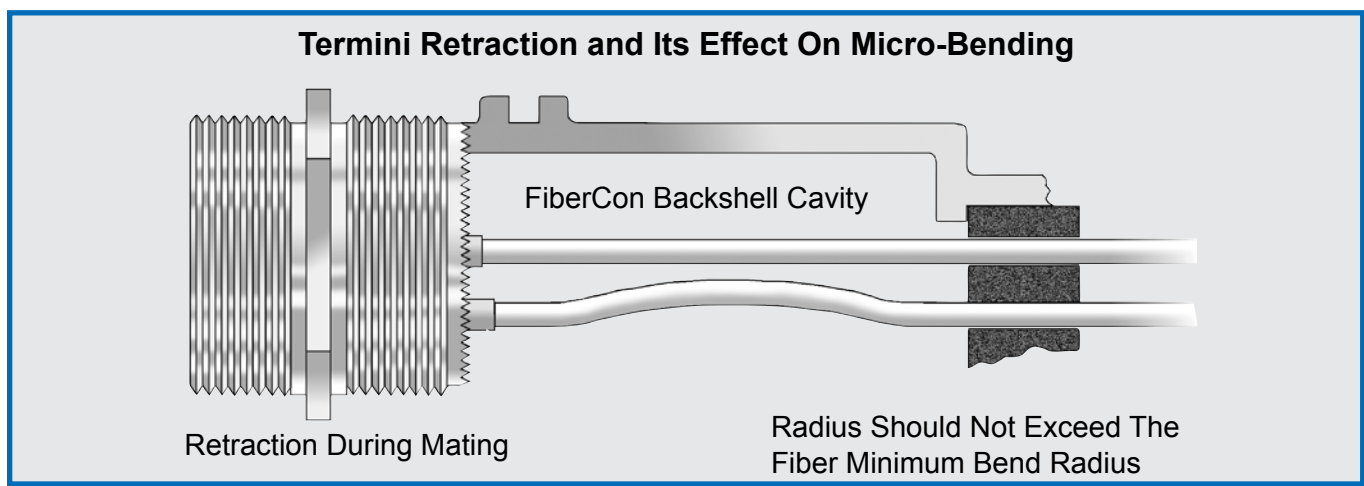


**Glenair ASAP Fiber Optic Cable Sets  
Inside-the-Box Receptacle/Pigtail Assembly  
with FiberCon® Backshell  
D38999 Series III to ST, FC, SC, LC & SMA**

- PRODUCT FEATURES**
- Jam-Nut and Wall Mount D38999 Series III Style Fiber Optic Receptacle Connectors in Aluminum, Composite or Stainless Steel
  - ST, FC, SC, LC and SMA to D38999 Series III Configurations
  - Grommet Sealing and Micro-Alignment Backshells in Aluminum, Composite and Stainless Steel
  - Singlemode and Multimode Fiber Media
  - Military Standard Dust Caps
  - MIL-PRF-29504 Approved Termini
  - Multichannel Capability: From 2 to 37 Channels
  - Custom Lengths Available



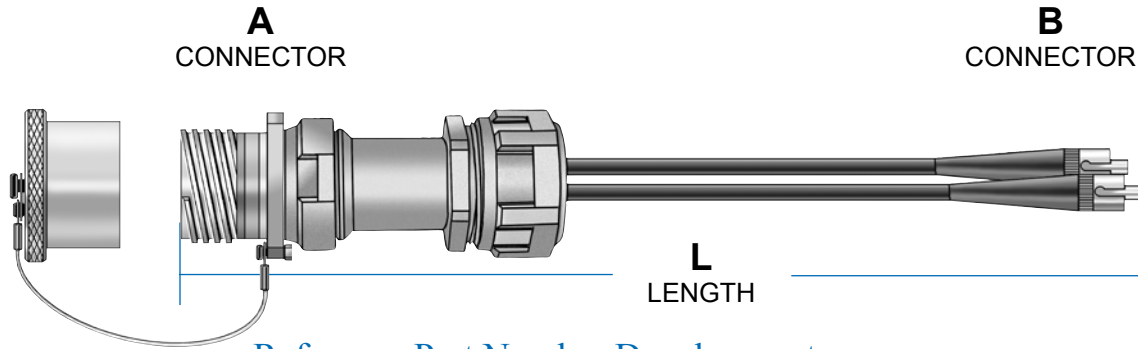
**Because Sometimes Strain-Relief and Exact Fiber Alignment are a Requirement—Even *Inside* the Box**



**The Glenair FiberCon® Backshell Assembly**

Glenair can supply receptacle/pigtail assemblies with a FiberCon® Backshell that protects fiber terminations and insures exact alignment of the fiber optic termini. The grommeted backshell design prevents micro-bending of the fibers while providing optimum strain relief to the overall cable. The unique design is available only from Glenair and is available as a component part of this ASAP cable assembly. The turnkey assembly includes fiber optic wiring, Glenair Backshell, MIL-DTL-38999 Style Connector, MIL-PRF-29504 Termini, Mil-Spec Dust-Caps and customer specified marking and labeling.

**Glenair ASAP Fiber Optic Cable Sets  
Inside-the-Box Receptacle/Pigtail Assembly  
with FiberCon® Backshell  
D38999 Series III to ST, FC, SC, LC & SMA**



**Reference Part Number Development:**

**FO1004 P - 08 - 1 W 02 62 48 L**

**Basic part Number**

**Terminus Type**

- P = Pin Terminus
- S = Socket Terminus

**A Connector Type**

- 06 = D38999/26 Style Plug
- 08 = D38999/24 Style Jam-Nut Receptacle
- H7 = D38999/20 Style Wall Mount Receptacle (Std.)
- S7 = D38999/20 Style Wall Mount Receptacle (Slotted)
- T7 = D38999/20 Style Wall Mount Receptacle (Tapped)

**B Connector Type**

- 0 = ST M83522 Style
- 1 = ST Connector
- 2 = FC Connector
- 3 = SC Connector
- 4 = SC Duplex
- 5 = SMA Connector (906 Type)
- 6 = SMA Connector (905 Type)
- 7 = LC Connector
- 8 = LC Duplex
- 9 = Customer Specified

**Connector/Backshell Class**

- F = Aluminum, Electroless Nickel Plating
- J = Composite, Olive Drab Cadmium Plating
- K = Stainless Steel, Passivated
- M = Composite, Electroless Nickel Plating
- W = Aluminum, Olive Drab Cadmium Plating

**Protective Covers**

**L = Less Covers**  
Omit for with Covers

**Length in Inches**

6 Inch Minimum

**Fiber Size**

- 09 = 9.3/125 Singlemode
- 50 = 50/125 Multimode
- 62 = 62.5/125 Multimode
- 10 = 100/140 Multimode
- 20 = 200/230 Multimode

**Number of Fibers\***

- 02 = 2 Fibers (Shell Size 11)
- 04 = 4 Fibers (Shell Size 13)
- 05 = 5 Fibers (Shell Size 15)
- 08 = 8 Fibers (Shell Size 17)
- 11 = 11 Fibers (Shell Size 19)
- 16 = 16 Fibers (Shell Size 21)
- 21 = 21 Fibers (Shell Size 23)
- 29 = 29 Fibers (Shell Size 25)
- 37 = 37 Fiber (Shell Size 25)

**Please Reference Special Marking, Labels Or Other Identification Specifications on Your Purchase Order. Unless Indicated, "B" Connector Identification Will Follow "A" Connector Pin Designations.**

\*See Page B-10 for Insert Arrangements

Part Numbering is for Reference Purposes Only. A Unique Glenair Part Number Will Be Assigned to Your Cable Order.