

PLEASE CHECK WWW.MOLEX.COM FOR LATEST PART INFORMATION

Part Number: [0365010121](#)
Status: **Active**
Overview: [din_41612](#)
Description: 2.54mm (.100") Pitch DIN 41612 C/2 Style Female Receptacle, Vertical, Through Hole, 1.10µm (43µ") Selective Gold (Au) Plating, 32 Circuits, Solder Tail Length 4.50mm (.177"), without Mounting Clips, No Flux Proof, Lead Free

Documents:

[Drawing \(PDF\)](#) [RoHS Certificate of Compliance \(PDF\)](#)
[Product Specification PS-36500-001 \(PDF\)](#)

General

Product Family	Backplane Connectors
Series	36501
Application	Daughtercard
Comments	No Mounting Clips, Secured with Tubular Rivets/ Cheesehead Screws. No Flux Proof
Component Type	PCB Receptacle
Overview	din_41612
Product Name	IEC 603-2/DIN 41612
Style	C/2

Physical

Circuits (Loaded)	32
Circuits (maximum)	32
Circuits Detail	1,2,3,...16 a+c
Color - Resin	Gray
Durability (mating cycles max)	500
First Mate / Last Break	No
Guide to Mating Part	No
Keying to Mating Part	Yes
Material - Metal	Phosphor Bronze
Material - Plating Mating	Gold
Material - Plating Termination	Tin
Material - Resin	Polyester
Number of Columns	16
Number of Pairs	Open Pin Field
Number of Rows	2
Orientation	Vertical
PC Tail Length (in)	0.177 In
PC Tail Length (mm)	4.50 mm
PCB Locator	No
PCB Retention	Yes
PCB Thickness Recommended (in)	0.063 In
PCB Thickness Recommended (mm)	1.60 mm
Packaging Type	Carton
Pitch - Mating Interface (in)	0.100 In
Pitch - Mating Interface (mm)	2.54 mm
Pitch - Term. Interface (in)	0.100 In
Pitch - Term. Interface (mm)	2.54 mm
Plating min: Mating (µin)	43
Plating min: Mating (µm)	1.10
Polarized to PCB	Yes
Stackable	No
Surface Mount Compatible (SMC)	No
Temperature Range - Operating	-55°C to +125°C

EU RoHS
ELV and RoHS
Compliant
REACH SVHC
Not Reviewed
Halogen-Free
Status
Not Reviewed

China RoHS



Need more information on product environmental compliance?

Email productcompliance@molex.com
 For a multiple part number RoHS Certificate of Compliance, [click here](#)

Please visit the [Contact Us](#) section for any non-product compliance questions.

Search Parts in this Series
[36501Series](#)

Termination Interface: Style Through Hole

Electrical

Current - Maximum per Contact 1A
Data Rate 622.0 Mbps
Voltage - Maximum 1000V (RMS)

Material Info

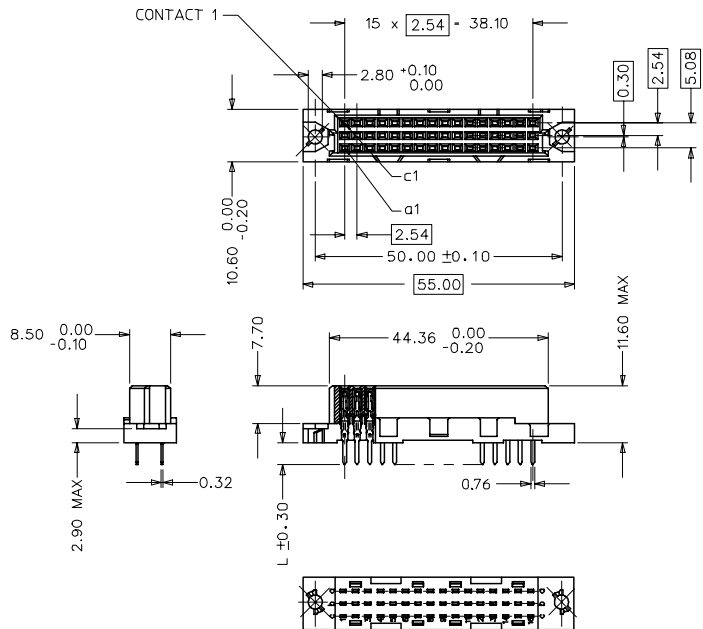
Old Part Number MMB2402C483

Reference - Drawing Numbers

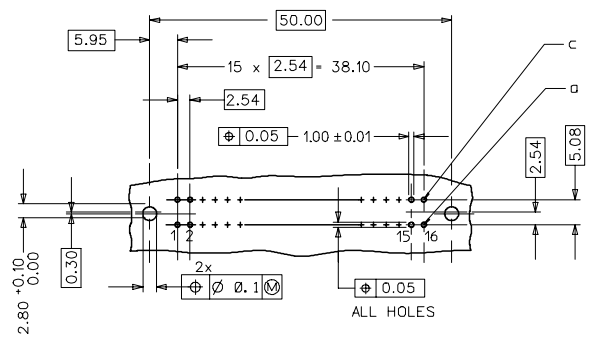
Packaging Specification PK-36501-001
Product Specification PS-36500-001
Sales Drawing SD-36501-0003

This document was generated on 05/13/2010

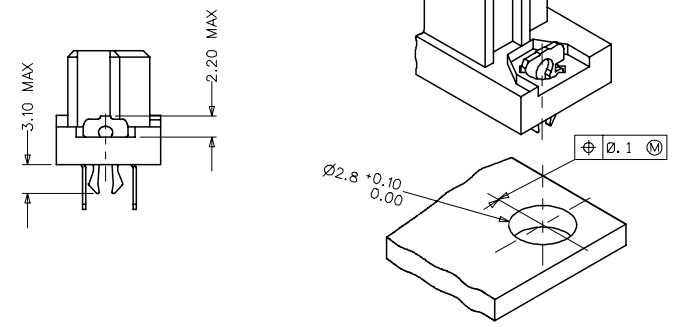
PLEASE CHECK WWW.MOLEX.COM FOR LATEST PART INFORMATION



RECOMMENDED PCB LAYOUT
COMPONENT SIDE



WITH MOUNTING CLIPS



- NOTES:
- 1) MATERIALS: THERMOPLASTIC POLYESTER, GLASS FILLED, UL94V-0. COLOUR: PEBBLE GREY RAL 7032
TERMINAL - PHOSPHOR BRONZE
MOUNTING CLIP: STEEL
 - 2) FINISH: TERMINAL:-
CONTACT AREA
1. PERFORMANCE LEVEL 1: SELECTIVE GOLD (Au), THICKNESS = 1.1 MICROMETER
OVER NICKEL, THICKNESS = 1.5 MICROMETER
2. PERFORMANCE LEVEL 2: SELECTIVE GOLD (Au), THICKNESS = 0.6 MICROMETER
OVER NICKEL, THICKNESS = 1.5 MICROMETER
3. PERFORMANCE LEVEL 3: SELECTIVE GOLD (Au), THICKNESS = 0.3 MICROMETER
OVER NICKEL, THICKNESS = 1.5 MICROMETER
TERMINATION AREA:
SELECTIVE TIN, THICKNESS = 5 MICROMETER
OVER NICKEL, THICKNESS = 1.5 MICROMETER OVERALL
 - 3) MOUNTING CLIP:-
TIN (Sn), THICKNESS = 5-10 MICROMETER,
OVER NICKEL (Ni), THICKNESS = 2.5 MICROMETER
 - 4) FOR NON MOUNTING CLIP OPTION, CONNECTOR TO BE SECURED WITH
RIVETS: 2 TUBULAR RIVETS 2.5 x 0.3 ... DIN 7340
SCREWS: 2 CHEESEHEAD SCREWS M2.5 x ... DIN 84 AND 2 HEXAGONAL NUTS M2.5 DIN 934
 - 5) MATERIAL No, BATCH CODE, UL AND CSA MARKING TO BE PRINTED ON THE CONNECTOR.
 - 6) CUT FACES OF TIP WITHOUT PLATING PERMITTED.
 - 7) PRODUCT SPECIFICATION PS-36500-001

RoHS COMPLIANT

ENTER DESCRIPTION ELC INC 12007 0044 2006/10/10 DRWNGSATTI/MARAD 2006/10/11 CHKD/SSUDHIR 2006/10/11 APPR/SSUDHIR 2006/10/16	QUALITY SYMBOLS ▽=0 ▽=0	GENERAL TOLERANCES (UNLESS SPECIFIED)		DIMENSION STYLE MM ONLY		SCALE 2:1	DESIGN UNITS METRIC	THIRD ANGLE PROJECTION
		4 PLACES ± --- ± --- 3 PLACES ± 0.005 ± --- 2 PLACES ± 0.1 ± --- 1 PLACE ± 0.15 ± ---	INCH ± --- ± --- ± ---	DRAWN BY SHANKAR	DATE 2006/04/25	TITLE ASSY DIN41612 C/2 FEMALE 32 POS 1.0MM PCB DIA A+C LOADED	MOLEX INCORPORATED	SHEET NO. 1 OF 2
DRAFT WHERE APPLICABLE MUST REMAIN WITHIN DIMENSIONS	SEE SHEET 2	MATERIAL NO. SD-36501-0003		DOCUMENT NO.		THIS DRAWING CONTAINS INFORMATION THAT IS PROPRIETARY TO MOLEX INCORPORATED AND SHOULD NOT BE USED WITHOUT WRITTEN PERMISSION		

	20	19	18	17	16	15	14	13	12	11	10	9	8	7	6	5	4	3	2	1	
	MATERIAL No	MOLEX ENG No	PERF LEVEL	PLATING	CONTACT SEQUENCE/ROW	DIM "L" mm	MOUNTING CLIP	FLUX PROOF													
	36501-0097	MM-B2401-C483	1	Au+Ni	1.2.3....16 a+c	2.9	NO	NO													
	36501-0098	MM-B2501-C483	2	Au+Ni	1.2.3....16 a+c	2.9	NO	NO													
	36501-0099	MM-B2601-C483	3	Au+Ni	1.2.3....16 a+c	2.9	NO	NO													
L	36501-0103	MM-B2401-C413	1	Au+Ni	1.2.3....16 a+c	2.9	YES	NO													
	36501-0104	MM-B2501-C413	2	Au+Ni	1.2.3....16 a+c	2.9	YES	NO													
	36501-0105	MM-B2601-C413	3	Au+Ni	1.2.3....16 a+c	2.9	YES	NO													
	36501-0109	MM-B2401-C483-133	1	Au+Ni	1.2.3....16 a+c	2.9	NO	YES													
	36501-0110	MM-B2501-C483-133	2	Au+Ni	1.2.3....16 a+c	2.9	NO	YES													
K	36501-0111	MM-B2601-C483-133	3	Au+Ni	1.2.3....16 a+c	2.9	NO	YES													
	36501-0115	MM-B2401-C413-133	1	Au+Ni	1.2.3....16 a+c	2.9	YES	YES													
	36501-0116	MM-B2501-C413-133	2	Au+Ni	1.2.3....16 a+c	2.9	YES	YES													
	36501-0117	MM-B2601-C413-133	3	Au+Ni	1.2.3....16 a+c	2.9	YES	YES													
J	36501-0121	MM-B2402-C483	1	Au+Ni	1.2.3....16 a+c	4.5	NO	NO													
	36501-0122	MM-B2502-C483	2	Au+Ni	1.2.3....16 a+c	4.5	NO	NO													
	36501-0123	MM-B2602-C483	3	Au+Ni	1.2.3....16 a+c	4.5	NO	NO													
	36501-0127	MM-B2402-C413	1	Au+Ni	1.2.3....16 a+c	4.5	YES	NO													
	36501-0128	MM-B2502-C413	2	Au+Ni	1.2.3....16 a+c	4.5	YES	NO													
I	36501-0129	MM-B2602-C413	3	Au+Ni	1.2.3....16 a+c	4.5	YES	NO													
	36501-0133	MM-B2402-C483-133	1	Au+Ni	1.2.3....16 a+c	4.5	NO	YES													
	36501-0134	MM-B2502-C483-133	2	Au+Ni	1.2.3....16 a+c	4.5	NO	YES													
	36501-0135	MM-B2602-C483-133	3	Au+Ni	1.2.3....16 a+c	4.5	NO	YES													
H	36501-0139	MM-B2402-C413-133	1	Au+Ni	1.2.3....16 a+c	4.5	YES	YES													
	36501-0140	MM-B2502-C413-133	2	Au+Ni	1.2.3....16 a+c	4.5	YES	YES													
	36501-0141	MM-B2602-C413-133	3	Au+Ni	1.2.3....16 a+c	4.5	YES	YES													

RoHS COMPLIANT

ENTER DESCRIPTION ELC.NCL.12007.0044. 2006/10/10 DRWNGSATTI HARAD 2006/10/10 CHKDSSUDHIR 2006/10/11 APPR3SSUDHIR 2006/10/16	QUALITY SYMBOLS 	GENERAL TOLERANCES (UNLESS SPECIFIED)		DIMENSION STYLE MM ONLY	SCALE ---	DESIGN UNITS METRIC	THIRD ANGLE PROJECTION		
		4 PLACES ±---± 3 PLACES ±---± 2 PLACES ±---± 1 PLACE ±---±	mm INCH ±---± ±---± ±---± ±---± ±---± ±---± ±---± ±---±	DRAWN BY SHANKAR	DATE 2006/04/25	TITLE ASSY DIN41612 C/2 FEMALE 32 POS 1.0MM PCB DIA A+C LOADED	MOLEX INCORPORATED		
		ANGULAR ±---°		CHECKED BY SSUDHIR	DATE 2006/04/25	DOCUMENT NO. SD-36501-0003			
		DRAFT WHERE APPLICABLE MUST REMAIN WITHIN DIMENSIONS		APPROVED BY SSUDHIR	DATE 2006/04/25	MATERIAL NO. SEE CHART	SIZE A 1	THIS DRAWING CONTAINS INFORMATION THAT IS PROPRIETARY TO MOLEX INCORPORATED AND SHOULD NOT BE USED WITHOUT WRITTEN PERMISSION	SHEET NO. 2 OF 2