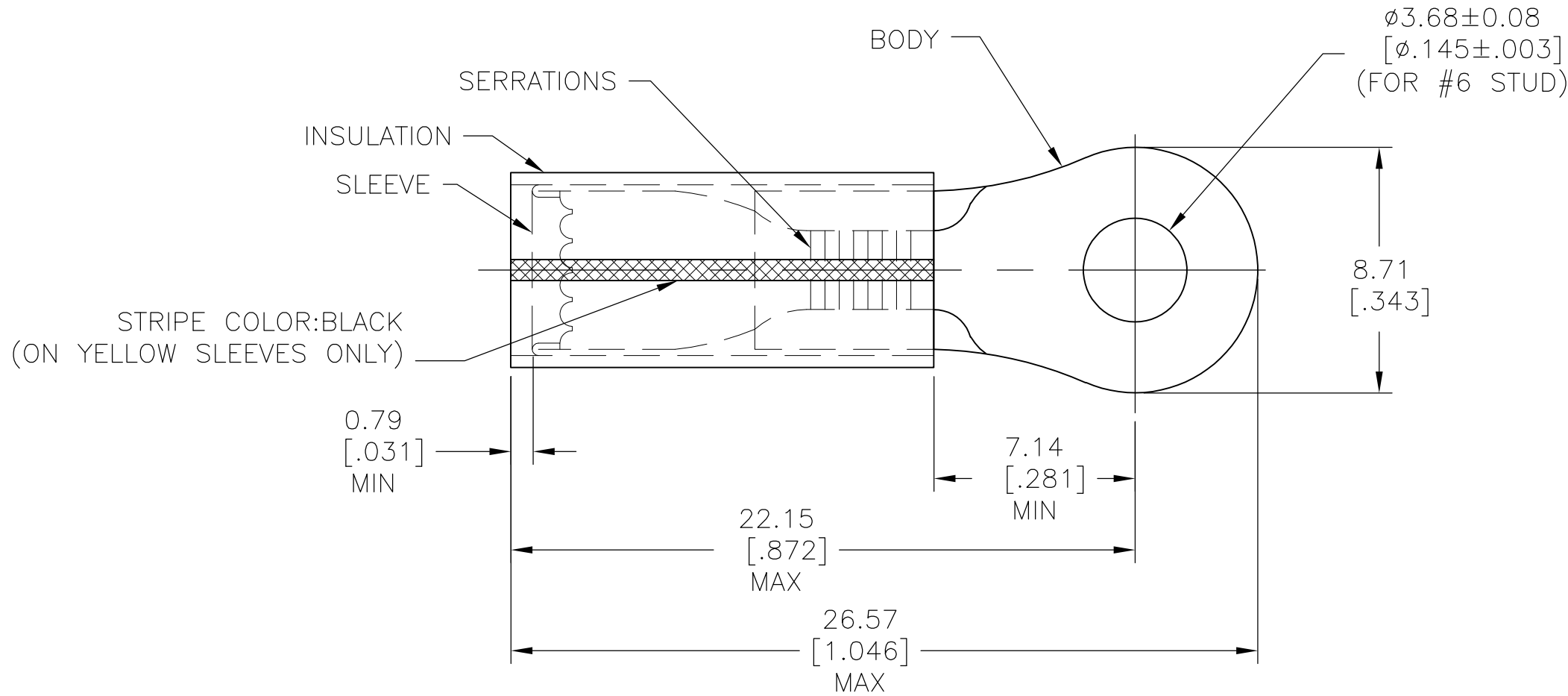


THIS DRAWING IS UNPUBLISHED. RELEASED FOR PUBLICATION
 © COPYRIGHT BY TYCO ELECTRONICS CORPORATION. ALL INTERNATIONAL RIGHTS RESERVED.

LOC	DIST	REVISIONS					
G	14	P	LTR	DESCRIPTION	DATE	DWN	APVD
		G1		REDRAWN PER ECO-09-005960	14APR09	HMR	JR



FOR 3.81[.150] TO 5.84[.230] WIRE INSULATION DIA
 TONGUE MATERIAL THK = 1.22±0.05[.048±.002]

OBSOLETE	1	WIRE TERMINAL	2-33724-2	BODY & SLEEVE: (SEE BELOW) INSULATION: NYLON COLOR: ORANGE
OBSOLETE	1	33724 ON TAPE	2-33724-1	BODY: COPPER (ASTM-B152) TIN PL (ASTM-B545) SLEEVE: COPPER (ASTM-B152) INSULATION: YELLOW NYLON
	1	WIRE TERMINAL	33724	
	QTY	DESCRIPTION	PART NO	MATERIAL & FINISH

THIS DRAWING IS A CONTROLLED DOCUMENT.		DWN	14APR09	Tyco Electronics Corporation	
		CHK	14APR09	Harrisburg, PA 17105-3608	
		APVD	14APR09	NAME	
		Tom Michielutti		WIRE TERMINAL	
		PRODUCT SPEC		P.I.D.G.-RING TONGUE	
		APPLICATION SPEC		WIRE SIZE: 16-14 (HD)	
		SIZE	CAGE CODE	DRAWING NO	RESTRICTED TO
		A3	00779	C-33724	-
MATERIAL		FINISH		CUSTOMER DRAWING	SCALE
SEE TABLE		SEE TABLE			5:1
				SHEET	REV
				1 OF 1	G1