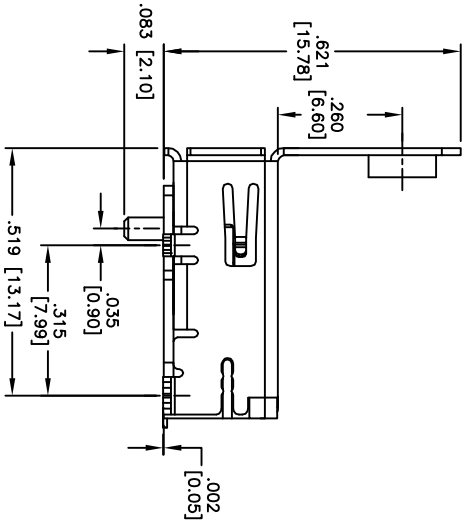
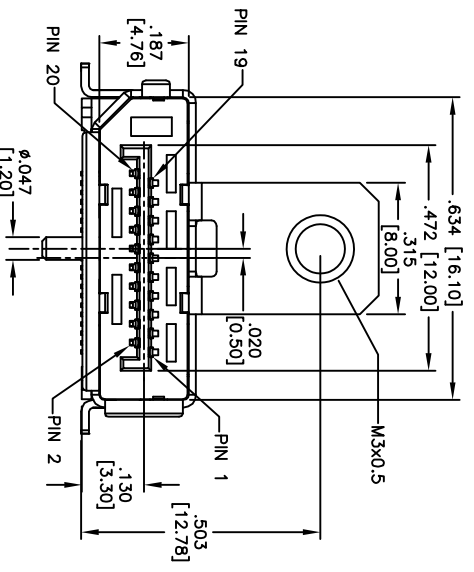
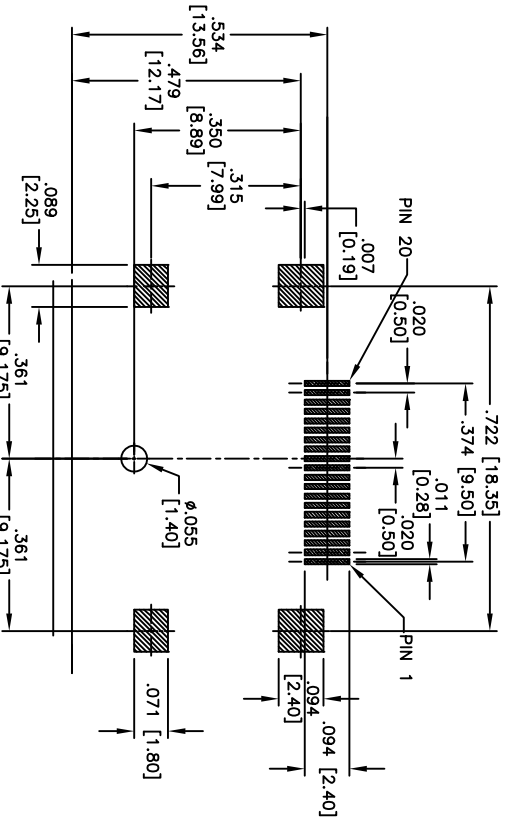
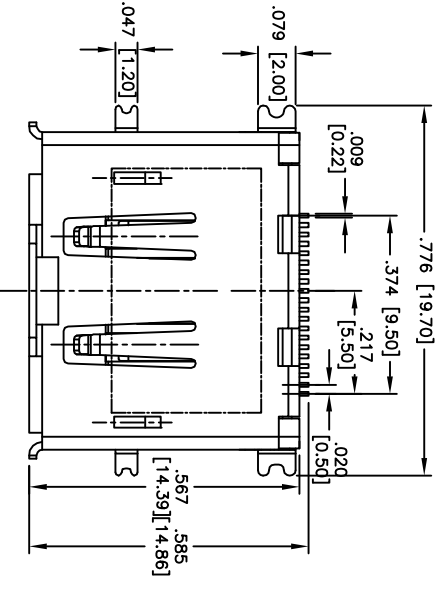


APPROVED: _____ DATE: _____

Rev	AWO #	Description	Date	Appr
-	9840	RELEASED	11/11/09	



RECOMMENDED PCB LAYOUT

SPECIFICATIONS:
 Material:
 Housing: Thermal Plastic, rated UL 94V-0
 Contact: Copper Alloy
 Shell: Brass, nickel plated
 Plating:
 15u" Gold over Nickel underplate overall
 Electrical:
 Operating voltage: 40 VAC
 Current rating: 0.5 Amps min
 Withstanding Voltage: 500V AC for 1 minute
 Insulation Resistance: 100M ohms min.
 Contact Resistance: 30 ohms max.
 Temperature Rating:
 Operating temperature: -20°C to +85°C
 Environmental:
 Lead free, RoHS compliant.
 Recommended soldering temp: 260°C for 5 sec.

6 5 4 3 2 1

UNLESS OTHERWISE SPECIFIED
 ALL DIMENSIONS ARE IN INCHES [MM]
 TOLERANCES: EXCEPT AS NOTED
 INCHES HILES
 .X ± .10
 .XX ± .020
 .XXX ± .015
 .XXX ± .010

DRAWN	DY	11/11/09
CHECKED		
APPROVED		

ADAM TECH
 909 Rahway Avenue, Union, NJ 07083
 Phone: 908-687-5000 Fax: 908-687-5710

DISPLAYPORT RECEPTACLE, RA, SMT TYPE

SIZE PART NO. DPC-F-S-RA-TSMT-MF-15
 REF: S00013T SCALE: NTS SHEET 1 OF 1

6 5 4 3 2 1