

PLEASE CHECK WWW.MOLEX.COM FOR LATEST PART INFORMATION

Part Number: [0493910004](#)
Status: **Active**
Description: 6.60mm (.259") Pitch Wire-to-Board Receptacle, Dual Row, Vertical, 8 Circuits, Polyester Carbonate UL94V-0, Blue

Documents:

[Drawing \(PDF\)](#) [RoHS Certificate of Compliance \(PDF\)](#)
[Product Specification PS-49391-001 \(PDF\)](#)

General

Product Family	Crimp Housings
Series	49391
Comments	Polarized to Mating Part
Product Name	N/A

Physical

Breakaway	No
Circuits (maximum)	8
Color - Resin	Blue
Gender	Female
Glow-Wire Compliant	No
Keying to Mating Part	None
Lock to Mating Part	Yes
Number of Rows	2
Packaging Type	Bag
Panel Mount	No
Pitch - Mating Interface (in)	0.257 In
Pitch - Mating Interface (mm)	6.53 mm
Pitch - Term. Interface (in)	0.257 In
Pitch - Term. Interface (mm)	6.53 mm
Polarized to Mating Part	Yes
Temperature Range - Operating	-40°C to +120°C

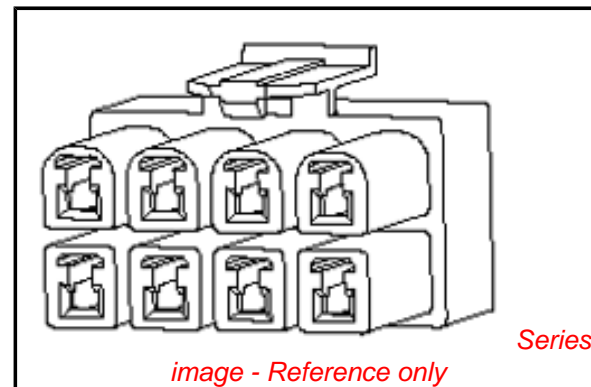
Electrical

Current - Maximum per Contact	0.5A
-------------------------------	------

Material Info

Reference - Drawing Numbers

Product Specification	PS-49391-001
Sales Drawing	SD-49391-001



EU RoHS

ELV and RoHS Compliant
REACH SVHC
 Not Reviewed
Halogen-Free Status
 Not Reviewed

China RoHS



Need more information on product environmental compliance?

Email productcompliance@molex.com
 For a multiple part number RoHS Certificate of Compliance, [click here](#)

Please visit the [Contact Us](#) section for any non-product compliance questions.

Search Parts in this Series

[49391Series](#)

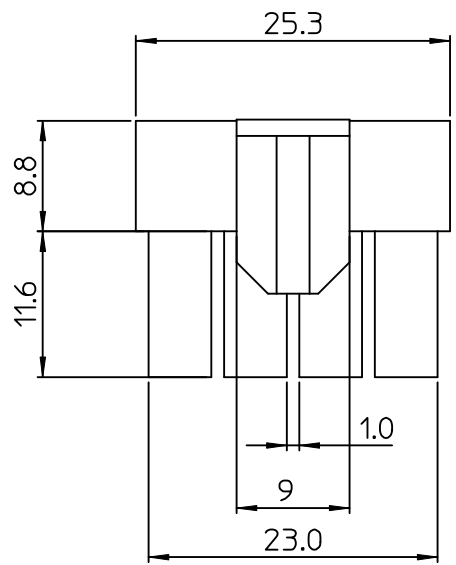
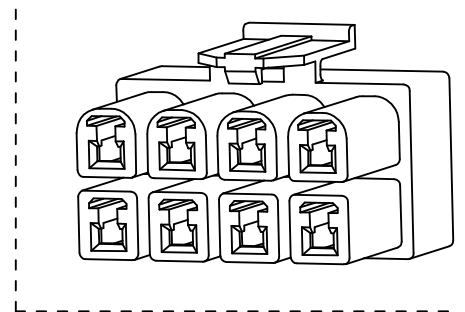
Mates With

[49390 PCB Header](#)

Use With

[579636202 Crimp Terminal](#)

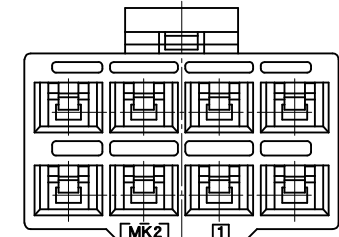
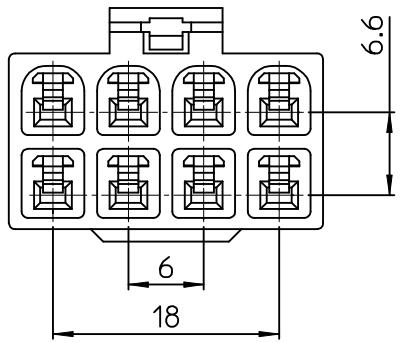
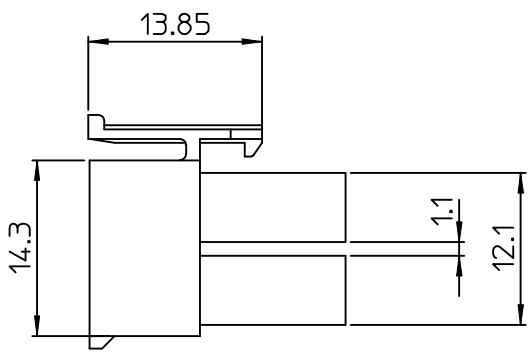
10 9 8 7 6 5 4 3 2 1



NOTES

- 1. MATERIAL & COLOR : SEE TABLE
- 2. MATED HOUSING : 49390-000*
- 3. APPLICABLE TERMINAL : 57963-6202

NO.	ENG NO.	COLOR	MATERIAL
1	49391-0001	NATURAL	PC/PET (UL94V-0)
2	49391-0002	RED	
3	49391-0004	BLUE	



TRADE MARK
(MK2)

CAVITY NO.
(1,2,3...)

REVISED EC NO: KOR2009-0093 DRWN: JHPARK01 2008/12/29 CHKD: WY YANG 2008/12/30 APPR: YUNSIKKIM 2009/01/05	DESCRIPTION B	QUALITY SYMBOLS	GENERAL TOLERANCES (UNLESS SPECIFIED) 4 PLACES ± --- ± --- 3 PLACES ± --- ± --- 2 PLACES ± 0.2 ± --- 1 PLACE ± 0.3 ± --- ANGULAR ± 1°	DIMENSION STYLE	SCALE	DESIGN UNITS	THIRD ANGLE PROJECTION .070 W/B CONN-8P HOUSING MOLEX INCORPORATED SD-49391-001
		MM ONLY		2:1	METRIC		
		DRAWN BY: JH.PARK CHECKED BY: WY.YANG APPROVED BY: WY.YANG MATERIAL NO. SEE TABLE		DATE: 2006/05/30 DATE: 2006/05/30 DATE: 2006/05/30	TITLE		
		DRAFT WHERE APPLICABLE MUST REMAIN WITHIN DIMENSIONS		THIS DRAWING CONTAINS INFORMATION THAT IS PROPRIETARY TO MOLEX INCORPORATED AND SHOULD NOT BE USED WITHOUT WRITTEN PERMISSION			

9 8 7 6 5 4 3 2 1