

PLEASE CHECK WWW.MOLEX.COM FOR LATEST PART INFORMATION

Part Number: [0783960001](#)
Status: **Active**
Description: 0.80mm(.031"), 1.27mm(.050") Micro SAS Receptacle, Vertical, SMT, 0.76µm(30µ") Gold (Au) Plating, 25 Circuits, for 1.00mm (.039") PCB Thickness, Halogen free, Lead free

Documents:

[Drawing \(PDF\)](#) [RoHS Certificate of Compliance \(PDF\)](#)
[Product Specification PS-78396-001 \(PDF\)](#)

Agency Certification

CSA LR19980
 UL E29179

General

Product Family I/O Connectors
 Series [78396](#)
 Application Board-to-Board
 Component Type Receptacle
 Product Name Micro SAS
 Type N/A

Physical

Boot Color N/A
 Circuits (Loaded) 25
 Circuits (maximum) 25
 Circuits Detail Signal 14, Power 9, Sideband 2
 Color - Resin Black
 Durability (mating cycles max) 500
 Flammability 94V-0
 Gender Female
 Keying to Mating Part Yes
 Lock to Mating Part None
 Material - Metal Copper Alloy
 Material - Plating Mating Gold
 Material - Plating Termination Tin
 Material - Resin High Temperature Thermoplastic
 Number of Rows 2
 Orientation Vertical
 PCB Locator Yes
 PCB Retention Yes
 PCB Thickness Recommended (in) 0.039 In
 PCB Thickness Recommended (mm) 1.00 mm
 Packaging Type Embossed Tape on Reel
 Panel Mount Yes
 Pitch - Mating Interface (in) 0.031 In, 0.050 In
 Pitch - Mating Interface (mm) 0.80 mm, 1.27 mm
 Plating min: Mating (µin) 30
 Plating min: Mating (µm) 0.76
 Plating min: Termination (µin) 100
 Plating min: Termination (µm) 2.54
 Polarized to Mating Part Yes
 Polarized to PCB Yes
 Ports 2
 Temperature Range - Operating 0°C to +55°C
 Termination Interface: Style Surface Mount

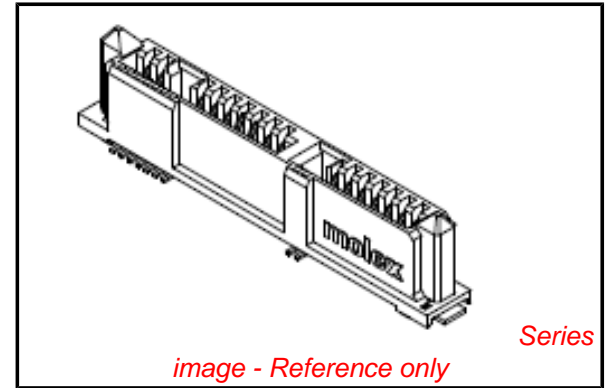


image - Reference only

EU RoHS

**ELV and RoHS
 Compliant**
REACH SVHC
 Not Reviewed
**Halogen-Free
 Status**
Not Reviewed

China RoHS



**Need more information on product
 environmental compliance?**

Email productcompliance@molex.com
 For a multiple part number RoHS Certificate of Compliance, [click here](#)

Please visit the [Contact Us](#) section for any non-product compliance questions.

Search Parts in this Series

[78396Series](#)

Mates With

[78394](#) , [78528](#) Micro SAS Plugs

Waterproof / Dustproof	No
Wire Size AWG	N/A

Electrical

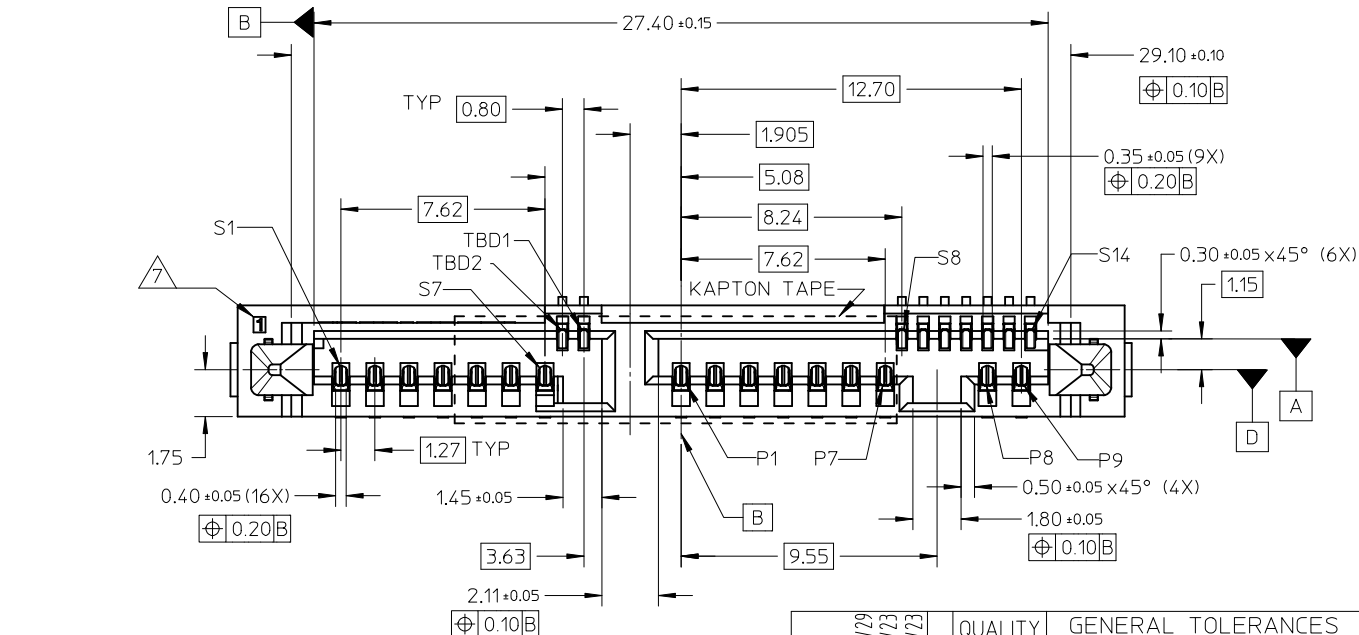
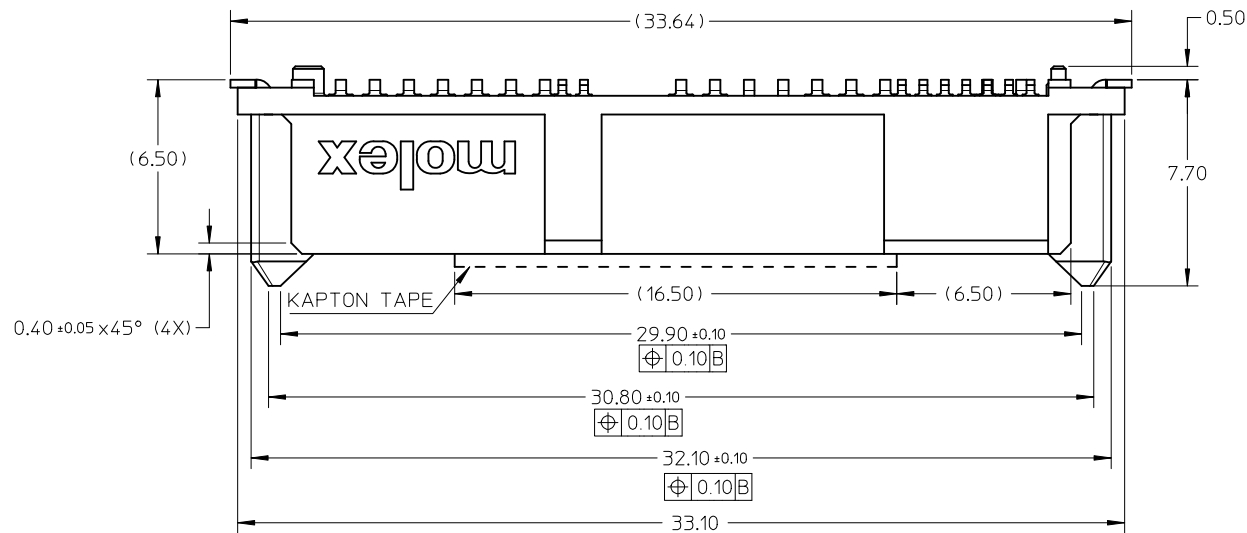
Current - Maximum per Contact	1.5A
Voltage - Maximum	30V

Material Info**Reference - Drawing Numbers**

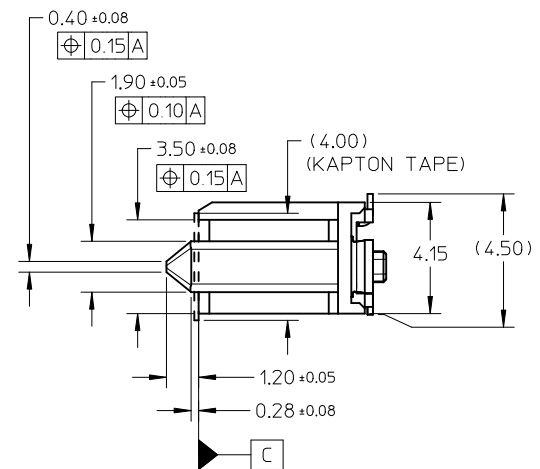
Packaging Specification	PK-78396-001
Product Specification	PS-78396-001
Sales Drawing	SD-78396-001

This document was generated on 05/17/2010

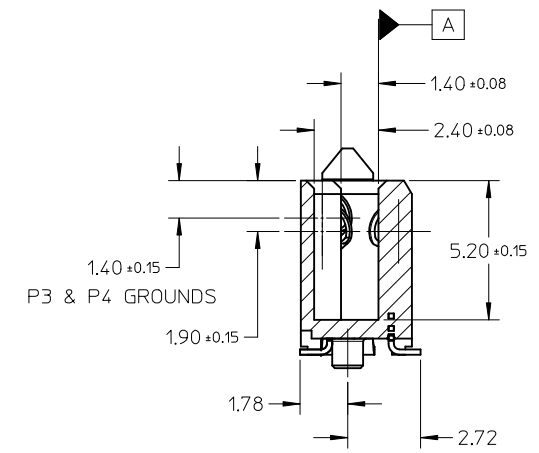
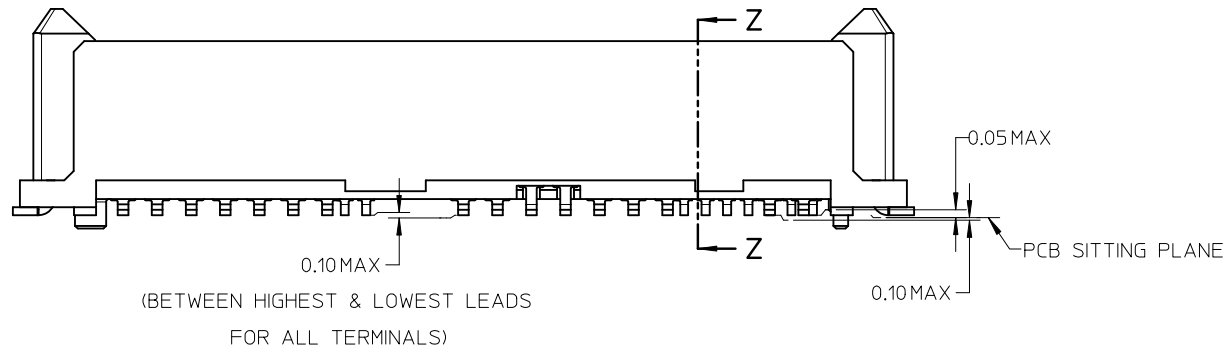
PLEASE CHECK WWW.MOLEX.COM FOR LATEST PART INFORMATION



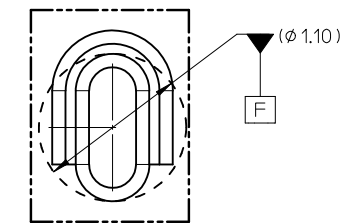
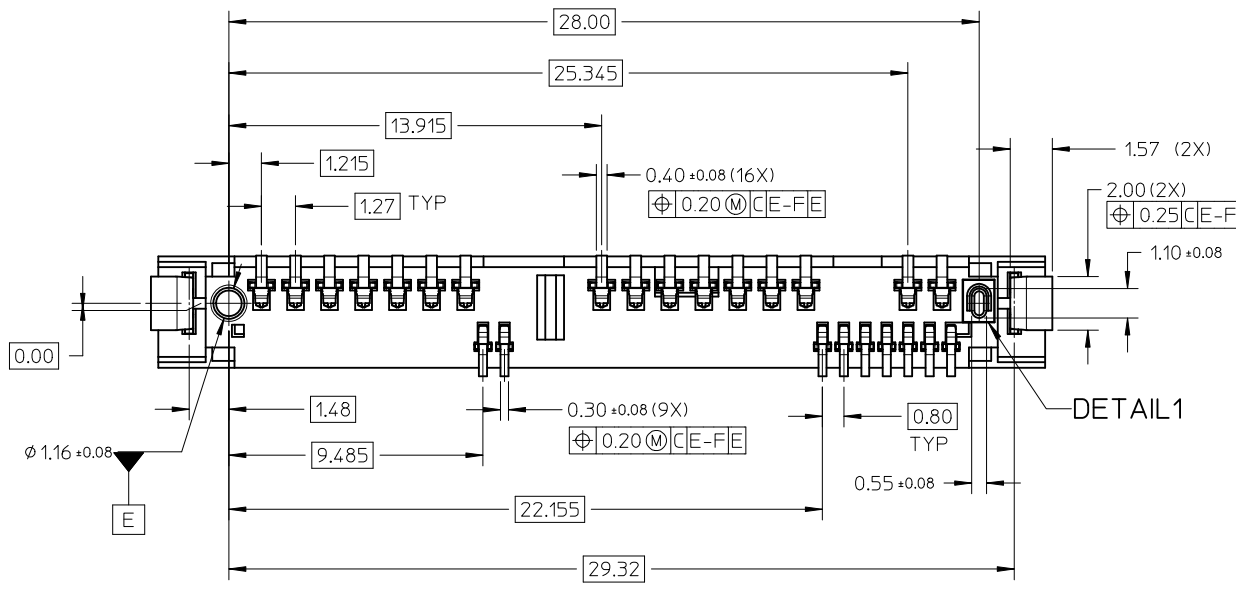
- NOTES:
- MATERIAL : HIGH TEMP THERMOPLASTIC, GLASS FILLED, UL 94V-0, BLACK
TERMINAL/SOLDER TAB : COPPER ALLOY
 - PLATING :
TERMINAL :
- CONTACT :0.76µm MIN. SELECTIVE GOLD OVER
1.27µm MIN. NICKEL UNDERPLATE
- SOLDER TAIL :2.54µm MIN. TIN OVER
1.27µm MIN. NICKEL UNDERPLATE
SOLDER TAB : 2.54µm MIN. TIN OVER
1.91µm MIN. NICKEL UNDERPLATE
 - PRODUCT SPECIFICATION : PS-78396-001
 - PACKAGING SPECIFICATION : PK-78396-001
 - MATES WITH : MOLEX MICRO SAS PLUG
 - THIS PRODUCT IS COMPLIANT TO RoHS DIRECTIVE WITH THE FOLLOWING BANNED SUBSTANCES - LEAD, MERCURY, CADMIUM, HEXAVALENT CHROMIUM, POLYBROMINATED BIPHENYLS AND POLYBROMINATED DIPHENYLS ETHERS.
 - MOLEX LOGO AND CAVITY NUMBER LOCATED APPROXIMATELY AS SHOWN
 - NON FUNCTIONAL CORING MAY VARY



CHANGED PIN ID. EC NO: S2010-0406 DRWN:GMEARLY 2009/10/29 CHKD:CGOH 2009/11/23 APPR:BOKOK 2009/11/23	QUALITY SYMBOLS FA=0 FE=0 FF=0	GENERAL TOLERANCES (UNLESS SPECIFIED)		DIMENSION STYLE		SCALE	DESIGN UNITS	THIRD ANGLE PROJECTION			
				MM ONLY		NTS	METRIC				
				mm	INCH	DRAWN BY	DATE	TITLE			
				4 PLACES ± ---	± ---	YKOH	2008/05/12	MICRO SAS RECEPTACLE VERTICAL SMT 1.8 INCH SSD/HDD MOLEX INCORPORATED			
		3 PLACES ± ---	± ---	CHECKED BY	DATE	DOCUMENT NO.					
		2 PLACES ± 0.20	± ---	JTAN02	2008/06/11	SD-78396-001		1 OF 4			
		1 PLACE ± ---	± ---	APPROVED BY	DATE	THIS DRAWING CONTAINS INFORMATION THAT IS PROPRIETARY TO MOLEX INCORPORATED AND SHOULD NOT BE USED WITHOUT WRITTEN PERMISSION					
		ANGULAR ± 3 °		MATERIAL NO.							
		DRAFT WHERE APPLICABLE MUST REMAIN WITHIN DIMENSIONS		78396-0001							
				SIZE							
				A3							

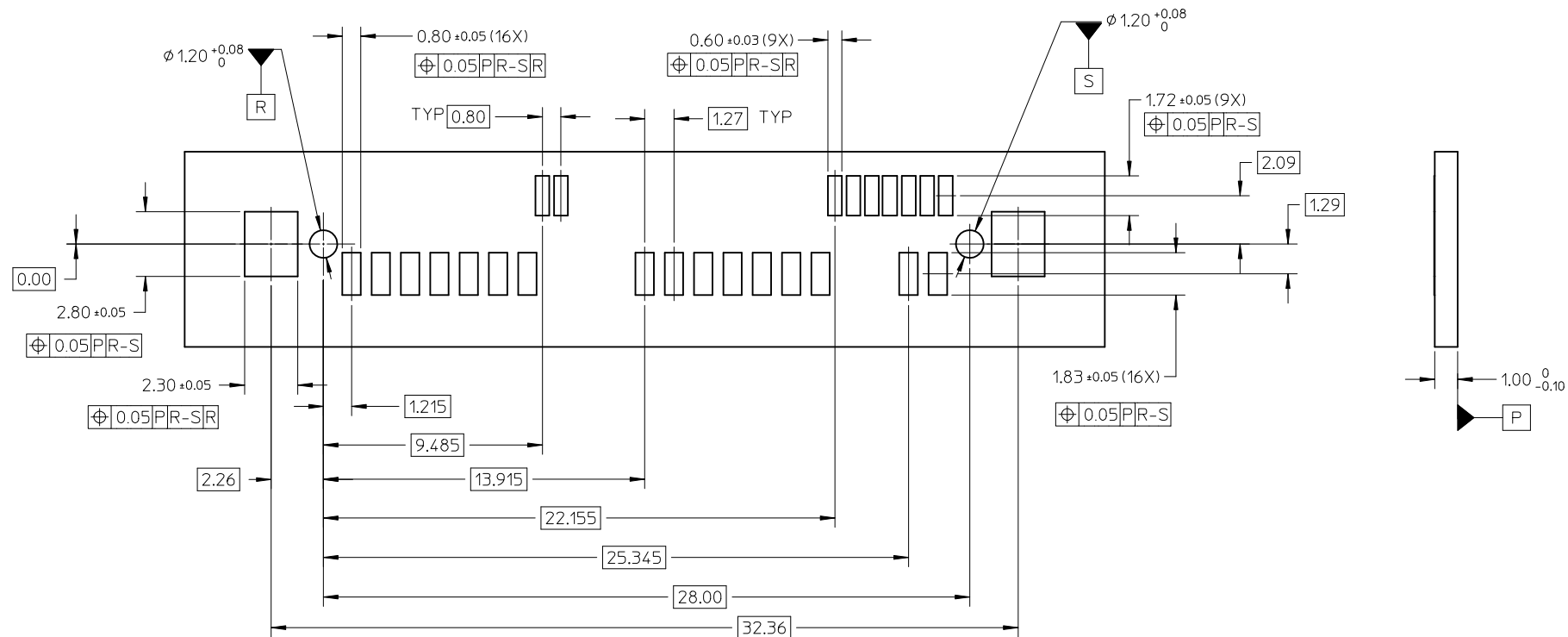


SECTION Z-Z



DETAIL 1

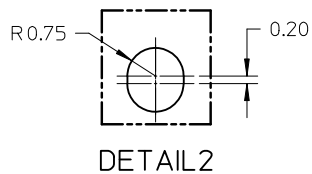
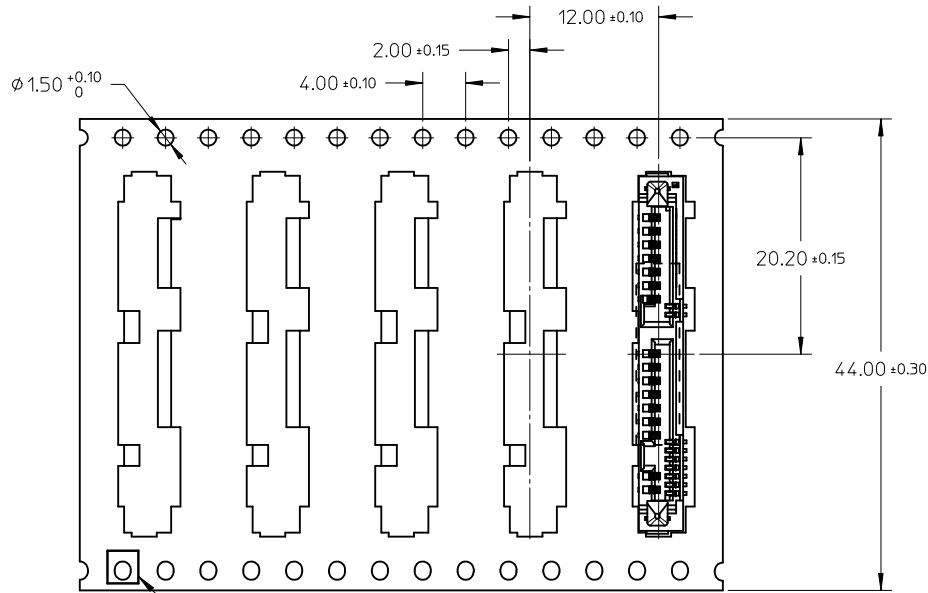
SEE SHEET 1 EC NO: S2010-0406 DRWN: GMEARLY 2009/10/29 CHKD: CGOH 2009/11/23 APPR: BOKOK 2009/11/23	QUALITY SYMBOLS $\nabla_A = 0$ $\nabla_E = 0$ $\nabla_F = 0$	GENERAL TOLERANCES (UNLESS SPECIFIED)		DIMENSION STYLE MM ONLY		SCALE NTS	DESIGN UNITS METRIC	THIRD ANGLE PROJECTION		
		4 PLACES ± ---	± ---	DRAWN BY YKOH	DATE 2008/05/12	TITLE MICRO SAS RECEPTACLE VERTICAL SMT 1.8 INCH SSD/HDD				
		3 PLACES ± ---	± ---	CHECKED BY JTAN02	DATE 2008/06/11					
		2 PLACES ± 0.20	± ---	APPROVED BY BOKOK	DATE 2008/06/12	molex MOLEX INCORPORATED				
1 PLACE ± ---	± ---	MATERIAL NO. 78396-0001		DOCUMENT NO. SD-78396-001						
DRAFT WHERE APPLICABLE MUST REMAIN WITHIN DIMENSIONS		SIZE A3		THIS DRAWING CONTAINS INFORMATION THAT IS PROPRIETARY TO MOLEX INCORPORATED AND SHOULD NOT BE USED WITHOUT WRITTEN PERMISSION						



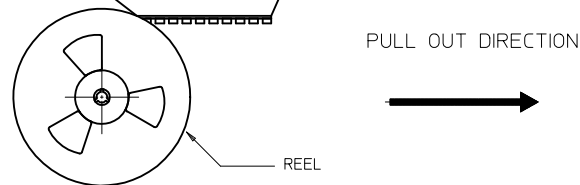
RECOMMENDED PCB LAYOUT

SEE SHEET 1 EC NO: S2010-0406 DRWN: GEMENARLY 2009/10/29 CHKD: CGOH 2009/11/23 APPR: BOKOK 2009/11/23	DESCRIPTION REV	QUALITY SYMBOLS	GENERAL TOLERANCES (UNLESS SPECIFIED)	DIMENSION STYLE	SCALE	DESIGN UNITS	THIRD ANGLE PROJECTION															
		$\nabla_A = 0$ $\nabla_C = 0$ $\nabla_F = 0$	<table border="1"> <thead> <tr> <th></th> <th>mm</th> <th>INCH</th> </tr> </thead> <tbody> <tr> <td>4 PLACES</td> <td>± ---</td> <td>± ---</td> </tr> <tr> <td>3 PLACES</td> <td>± ---</td> <td>± ---</td> </tr> <tr> <td>2 PLACES</td> <td>± 0.20</td> <td>± ---</td> </tr> <tr> <td>1 PLACE</td> <td>± ---</td> <td>± ---</td> </tr> </tbody> </table>		mm	INCH	4 PLACES	± ---	± ---	3 PLACES	± ---	± ---	2 PLACES	± 0.20	± ---	1 PLACE	± ---	± ---	MM ONLY	NTS	METRIC	
			mm	INCH																		
		4 PLACES	± ---	± ---																		
3 PLACES	± ---	± ---																				
2 PLACES	± 0.20	± ---																				
1 PLACE	± ---	± ---																				
	ANGULAR ± 3 °																					
		DRAFT WHERE APPLICABLE MUST REMAIN WITHIN DIMENSIONS	MATERIAL NO.	DOCUMENT NO.		TITLE																
A1			78396-0001	SD-78396-001		MICRO SAS RECEPTACLE VERTICAL SMT 1.8 INCH SSD/HDD MOLEX INCORPORATED																
			SIZE A3	THIS DRAWING CONTAINS INFORMATION THAT IS PROPRIETARY TO MOLEX INCORPORATED AND SHOULD NOT BE USED WITHOUT WRITTEN PERMISSION		SHEET NO. 3 OF 4																

PACKAGING INFORMATION

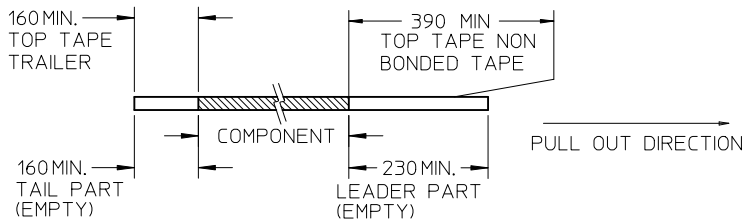


DETAIL 2

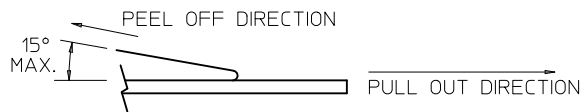


NOTES:

1. LEADER AND TRAILER TAPE



2. PEELING OFF FORCE OF THE TOP TAPE: 20 - 80gf. (PEELING DIRECTION AS SHOWN IN FOLLOWING FIGURE)



- 3. TAPE AND REEL SPECIFICATION IS AS PER EIA-481.
- 4. TAPE AND REEL QUANTITY : 550 PCS/ REEL.
- 5. THE TAPE IS TREATED FOR ANTI-STATIC.

SEE SHEET 1 EC NO: S2010-0406 DRWN: GEMARLY 2009/10/29 CHKD: CGOH 2009/11/23 APPR: BOKOK 2009/11/23	QUALITY SYMBOLS	GENERAL TOLERANCES (UNLESS SPECIFIED)		DIMENSION STYLE MM ONLY		SCALE NTS	DESIGN UNITS METRIC	THIRD ANGLE PROJECTION	
	▽ _A = 0	4 PLACES ± ---	INCH ± ---	DRAWN BY	DATE	TITLE MICRO SAS RECEPTACLE VERTICAL SMT 1.8 INCH SSD/HDD			
	▽ _E = 0	3 PLACES ± ---	± ---	YKOH	2008/05/12				
	▽ _F = 0	2 PLACES ± 0.20	± ---	CHECKED BY	DATE	MOLEX INCORPORATED			
	1 PLACE ± ---	± ---	JTAN02	2008/06/11					
	ANGULAR ± 3 °			APPROVED BY	DATE	DOCUMENT NO.		SHEET NO.	
		DRAFT WHERE APPLICABLE MUST REMAIN WITHIN DIMENSIONS		MATERIAL NO. 78396-0001		SD-78396-001		4 OF 4	
				SIZE A3	THIS DRAWING CONTAINS INFORMATION THAT IS PROPRIETARY TO MOLEX INCORPORATED AND SHOULD NOT BE USED WITHOUT WRITTEN PERMISSION				