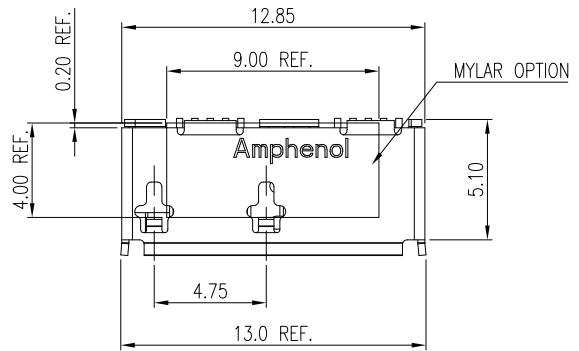


This document is the property of Amphenol Corporation and is delivered on the express condition that is not to be disclosed, reproduced or used, in whole or in part, for manufacture or sale by anyone other than Amphenol Corporation without its prior consent, and that no right is granted to disclose or to use any information in this document.

The marking on this product doesn't contain environmental hazardous material and must follow one or more specifications per Material Specification SS-00259 for Sony GP compliant or per directive 2002/95/EC for RoHS compliant or per IEC 61249-2-21 for Halogen Free compliant.

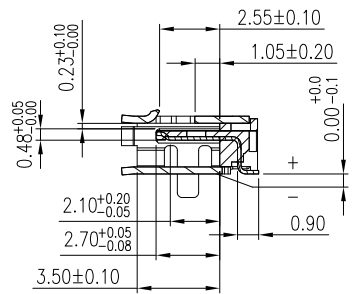
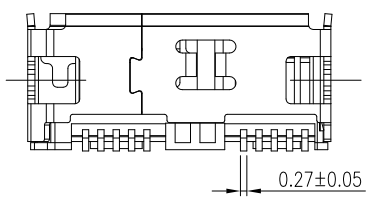
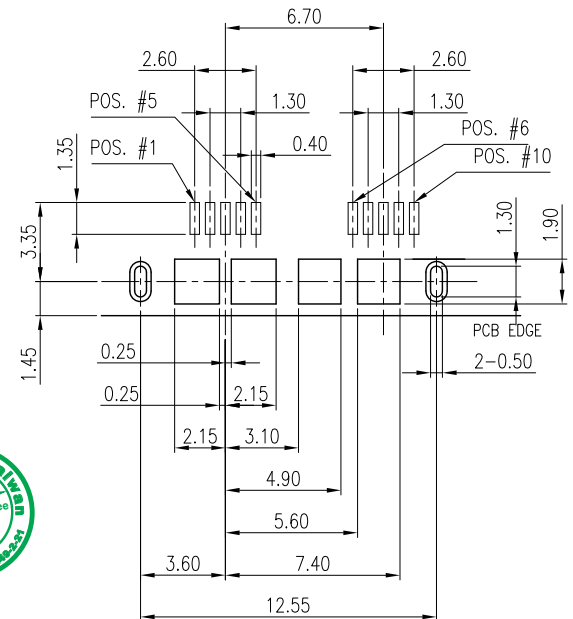
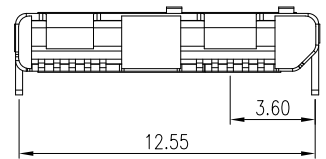
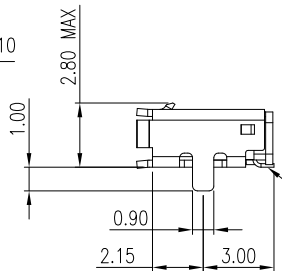
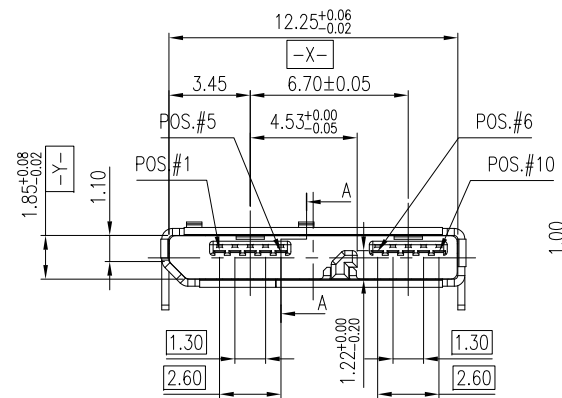
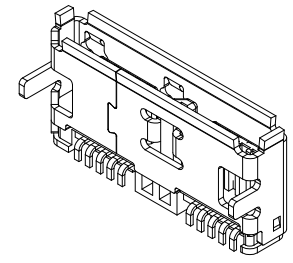
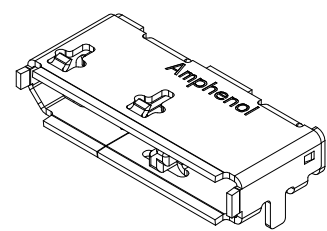
REVISIONS				
SYM	ECN No.	DESCRIPTION	DATE	BY
AX1		UNAPPROVAL REVISION	05/27/2010	Sondra Sang



PART NUMBER:  
GSB3 43K 3 3 X HR

CONTACT FINISH:  
3: 30μ" GOLD

VARIATION CODE  
BLANK: STANDARD T&R PACKING  
A: W/ MYLAR, T&R PACKING



RECOMMENDED PCB LAYOUT- TOP VIEW  
(GENERAL TOLERANCE: ±0.05)

NOTES:

- HOUSING: HIGH TEMP. THERMOPLASTIC, UL 94V-0, COLOR- BLACK
- CONTACT: COPPER ALLOY, 0.15mm THICKNESS, 30μ" MIN. GOLD PLATED ON CONTACT AREA, GOLD FLASH PLATED ON SOLDERING TAIL, 80μ" MIN. NICKEL UNDER-PLATED OVERALL
- METAL SHELL: STAINLESS, 0.3mm THICKNESS, GOLD FLASH PLATED ON THE SOLDERING TABS
- MYLAR: 4.0 x 9.0 mm
- THIS PRODUCT DOESN'T CONTAIN ENVIRONMENTAL HAZARDOUS MATERIALS PER DIRECTIVE 2002/95/EC FOR RoHS AND PER IEC 61249-2-21 FOR HALOGEN FREE COMPLIANT.

SECTION A-A

TOLERANCE	APPROVALS	DATE	TITLE	UNIT	SIZE	PART No.
X. ±0.30	DRAWN Sondra Sang	05/27/2010	USB 3.0 CONNECTOR MICRO_B, RECEPTACLE R/A SMT, SHELL DIP TYPE	mm	A3	GSB3 43K 33X HR
X.X ±0.20	CHECKED Chenny Yeh	05/27/2010				
X.XX ±0.20	APPROVED Hank Hsu	05/27/2010				
X.XXX ±0.10	DWG TYPE CUST DWG	PROJECT CODE T503				
ANGULAR ±1°				SCALE NA	SHEET 1 OF 1	DWG No. GSB343K33HR
UNLESS OTHERWISE SPECIFIED						REV. AX1

**Amphenol**®

Amphenol Corporation  
Amphenol Taiwan Corporation

