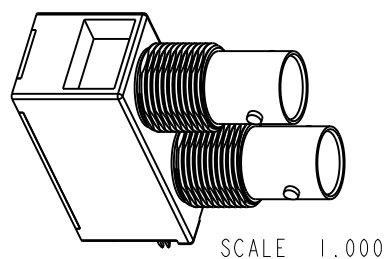
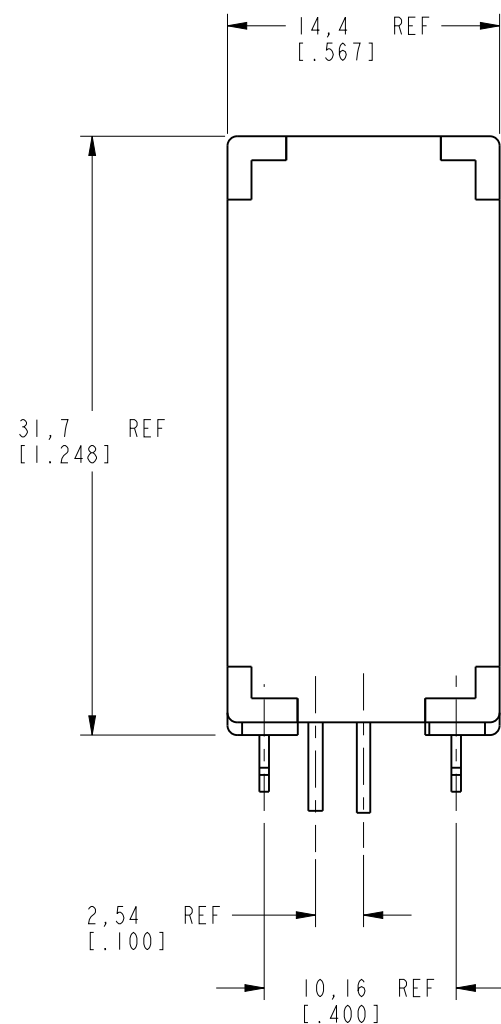
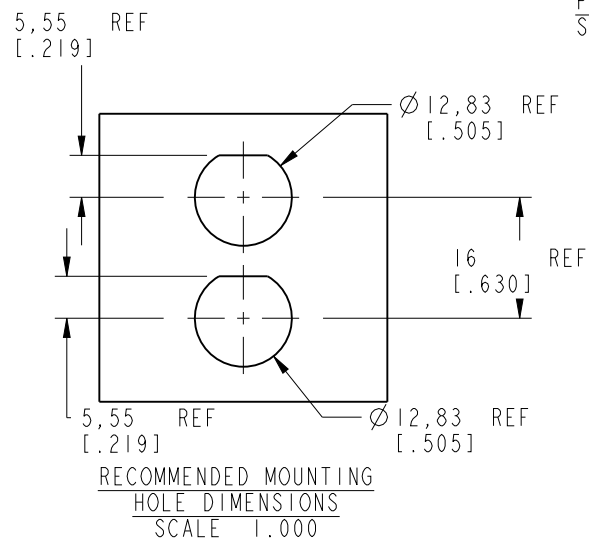
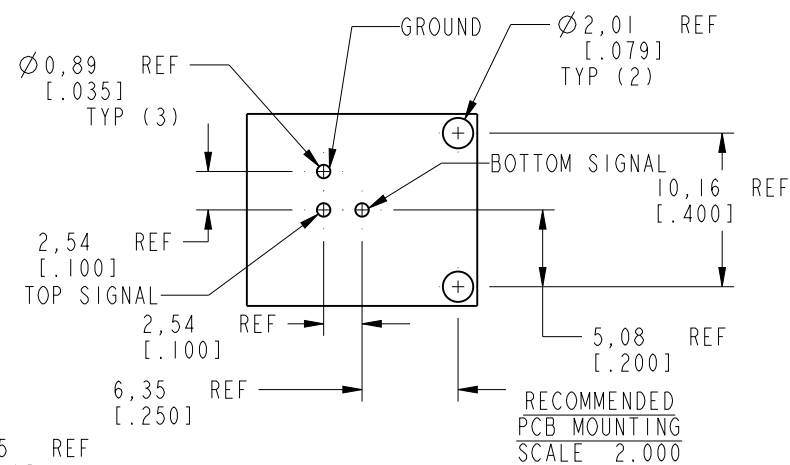


NOTES:

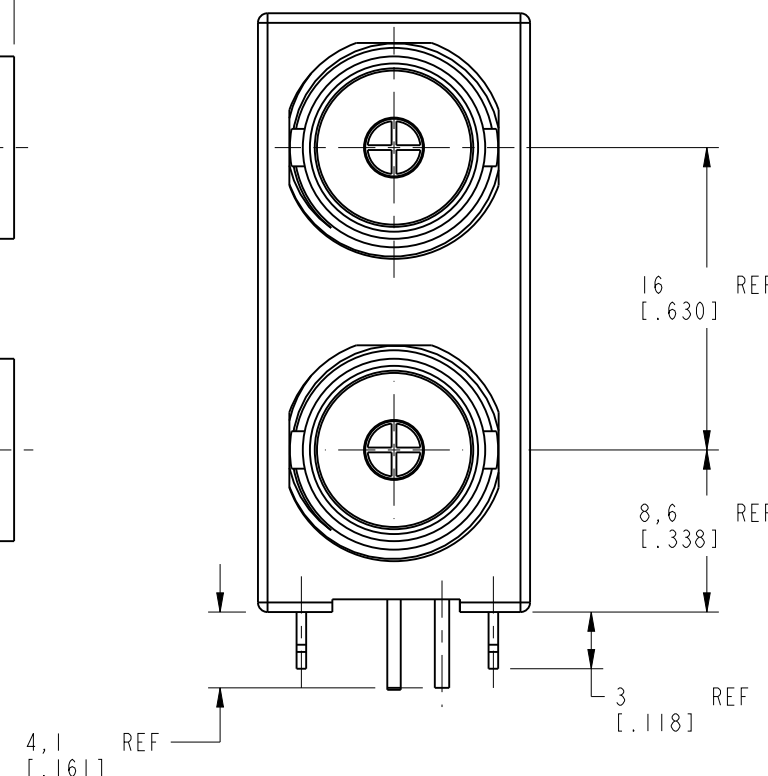
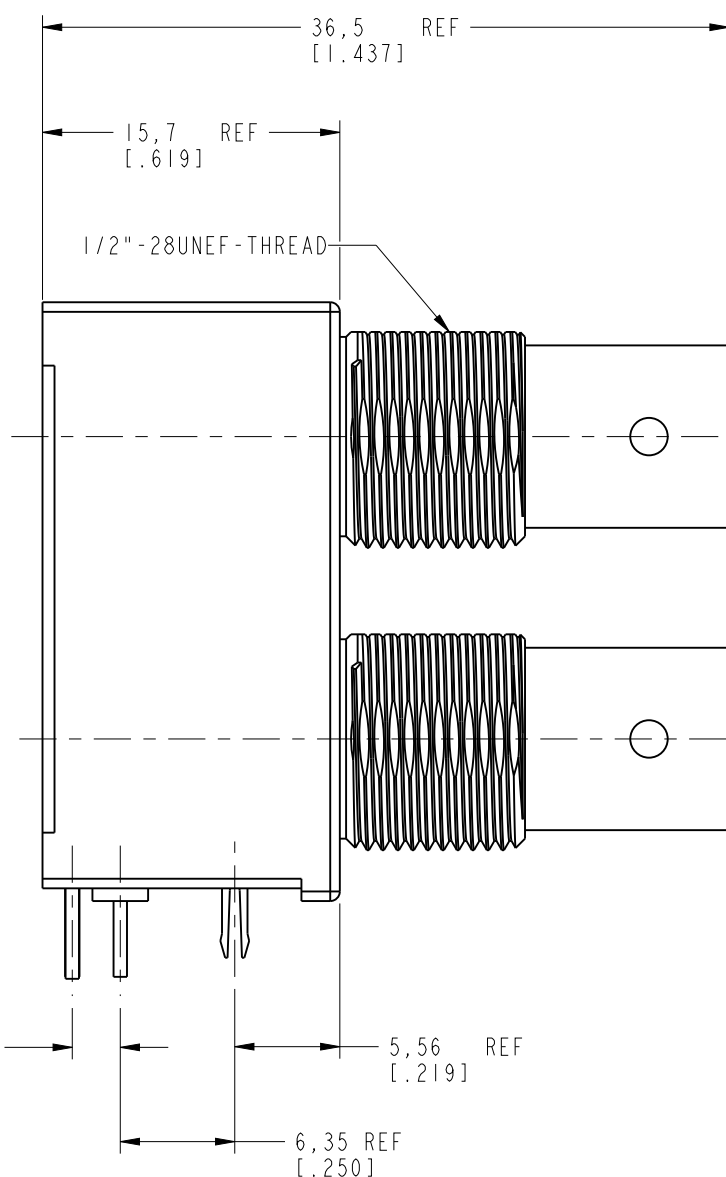
1. MATERIALS AND FINISHES:
  - BODY - ZINC DIE CAST, NICKEL PLATING
  - CONTACT - PHOSPHOR BRONZE, GOLD PLATING (.000003 THICK)
  - @ CONTACT AREA ONLY, TIN PLATING AT TAIL, NICKEL PLATED OVERALL
  - INSULATOR - POLYPROPYLENE
  - ROUND PIN - BRASS, TIN PLATING
  - GROUNDING TERMINAL - STEEL, TIN PLATING
2. ELECTRICAL:
  - A. IMPEDANCE: 50 OHM
  - B. FREQUENCY RANGE: DC - 1 GHz
  - C. DIELECTRIC WITHSTANDING VOLTAGE: 1500 VRMS, MIN.
3. MECHANICAL:
  - A. DURABILITY: 500 CYCLES MIN.
  - B. TEMPERATURE RANGE: -55° C TO 85° C
4. PACKAGING:
  - A. PACKAGED IN PACKING TRAYS
  - B. QUANTITY PER TRAY: 40



THIRD ANGLE PROJ.

REVISIONS

REV	DESCRIPTION	DATE	ECO	APPR
A	RELEASE TO MFG.	4/18/13	49442	EW



**CUSTOMER OUTLINE DRAWING**  
ALL OTHER SHEETS ARE FOR INTERNAL USE ONLY

UNLESS OTHERWISE SPECIFIED, DIMENSIONS ARE IN METRIC AND TOLERANCES ARE:  
 < 0.5mm ± 0.05mm    0.5 - 6mm ± 0.1mm    6 - 30mm ± 0.2mm    30 - 120mm ± 0.3mm    ANGLES ± 1°

NOTICE - These drawings, specifications, or other data (1) are, and remain the property of Amphenol corp. (2) must be returned upon request; and (3) are confidential and not to be disclosed to any person other than those to whom they are given by Amphenol Corp. the finishing of these drawings, specifications, or other data by Amphenol Corp., or to any other person to anyone for any purpose is not to be regarded by implication or otherwise in any manner licensing, granting rights to permitting such holder or any other person to manufacture, use or sell any product, process or design, patented or otherwise, that may in any way be related to or disclosed by said drawings, specifications, or other data.

MATERIAL	-
REFERENCE	APPROVED K. CAPOZZI
CONFIGURATION LEVEL:	Released
FINISH	

DRAWN	ERIC WANKOFF	DATE	01-Aug-12
ENGINEER	ERIC WANKOFF	DATE	01-Aug-12
APPROVED	K. CAPOZZI	DATE	3/26/13
CAD FILE			

TITLE		50 OHM BNC DUAL PORT R/A JACK	
SCALE:	2.5:1.0	SHEET	2 OF 2
DWG SIZE	B	REV	A

Amphenol RF	
www.amphenolrf.com	
DRAWING NO. 31-6577	
ITEM NO. 31-6577	
PART NO. 31-6577	