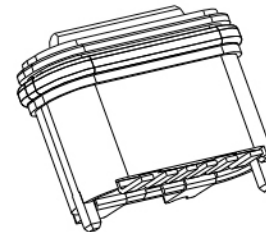
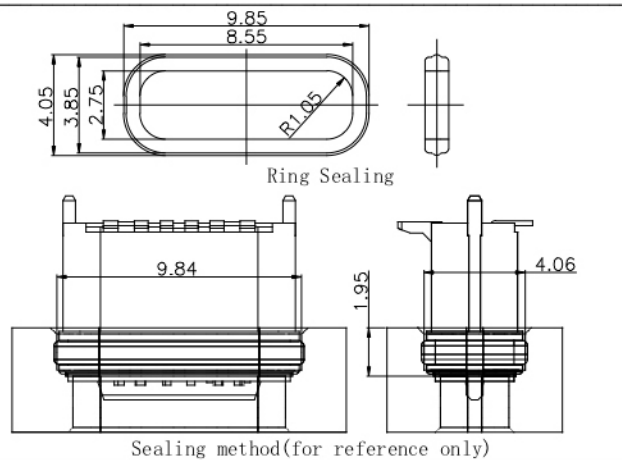


A5	CC1	B12	GND
A9	VBUS	B9	VBUS
A12	GND	B5	CC2
PIN	SIGNAL NAME	PIN	SIGNAL NAME

1. Material/Plated

- 1.1 Housing: High temperature thermoplastic, Black UL 94V-0.
- 1.2 Terminal: Copper Alloy, Gold Plated Nickel Underplated
- 1.3 Shell: Zinc Alloy, Nickel plated
- 1.4 Ring: Silicon, 50±15A
- 1.5 Epoxy: Epoxy, Black
- 2. Electrical Performance
- 2.1 Rated Voltage: 30V AC
- 2.2 Rated Current: 5.0A Max.
- 2.3 Contact Resistance: 40mΩ Max.
- 2.4 Insulation Resistance: 100MΩ Min.
- 2.5 Dielectric Strength: 100V AC
- 3. Mechanical Performance
- 3.1 Insertion Force: 5-20N
- 3.2 Withdrawal Force: 6-20N
- 3.3 Durability: 10000 Cycles
- 4. Operating Temperature: -25°C To +85°C
- 5. Waterproof: IPX8



Unless otherwise specified, Tolerance:
 X. ±0.30
 X.x ±0.20
 X.xx ±0.15
 X.xxx ±0.10
 Angles ±3°

G-Switch Electronic (HongKong) CO.,Ltd.

DESIGN FengFengChen	DATE 2020.05.09	Molde code:	
CHECKED	DATE	GT-USB-7054	
APPROVED	DATE	REV.: X1	SCALE: 4:1
http://www.dg-switch.com		UNIT: mm	
TEL:0769-82388879		SIZE: A4	SHEET: 1/1