

PLEASE CHECK WWW.MOLEX.COM FOR LATEST PART INFORMATION

Part Number: **0191930358**
Status: **Active**
Description: VersaKrimp™ Ring Tongue Terminal for 3/0 AWG Wire

Documents:

[Drawing \(PDF\)](#) [RoHS Certificate of Compliance \(PDF\)](#)

Agency Certification

CSA LR18689
 UL E32244

General

Product Family Ring and Spade Terminals
 Series [19193](#)
 Comments Type I Noninsulated; Class 2
 Crimp Quality Equipment Yes
 Mil-Spec AS20659-121, MS20659-121
 Product Name VersaKrimp™
 Type Ring

Physical

Barrel Type Closed - Brazed
 Insulation None
 Material - Plating Mating Tin
 Packaging Type Bag
 Plating min: Mating (µin) 100
 Plating min: Mating (µm) 2.5
 Plating min: Termination (µin) 100
 Plating min: Termination (µm) 2.5
 Stud Size 3/8" (M9)
 Termination Interface: Style Crimp or Compression
 Wire Size AWG 3/0

Material Info

Old Part Number K-390-38

Reference - Drawing Numbers

Sales Drawing CDK390

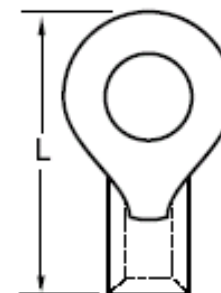


image - Reference only

Series

EU RoHS

ELV and RoHS Compliant

REACH SVHC

Contains SVHC: No

Halogen-Free

Status

Halogen-Free

China RoHS



Need more information on product environmental compliance?

Email productcompliance@molex.com
 For a multiple part number RoHS Certificate of Compliance, [click here](#)

Please visit the [Contact Us](#) section for any non-product compliance questions.

Search Parts in this Series

[19193Series](#)

Application Tooling | [FAQ](#)

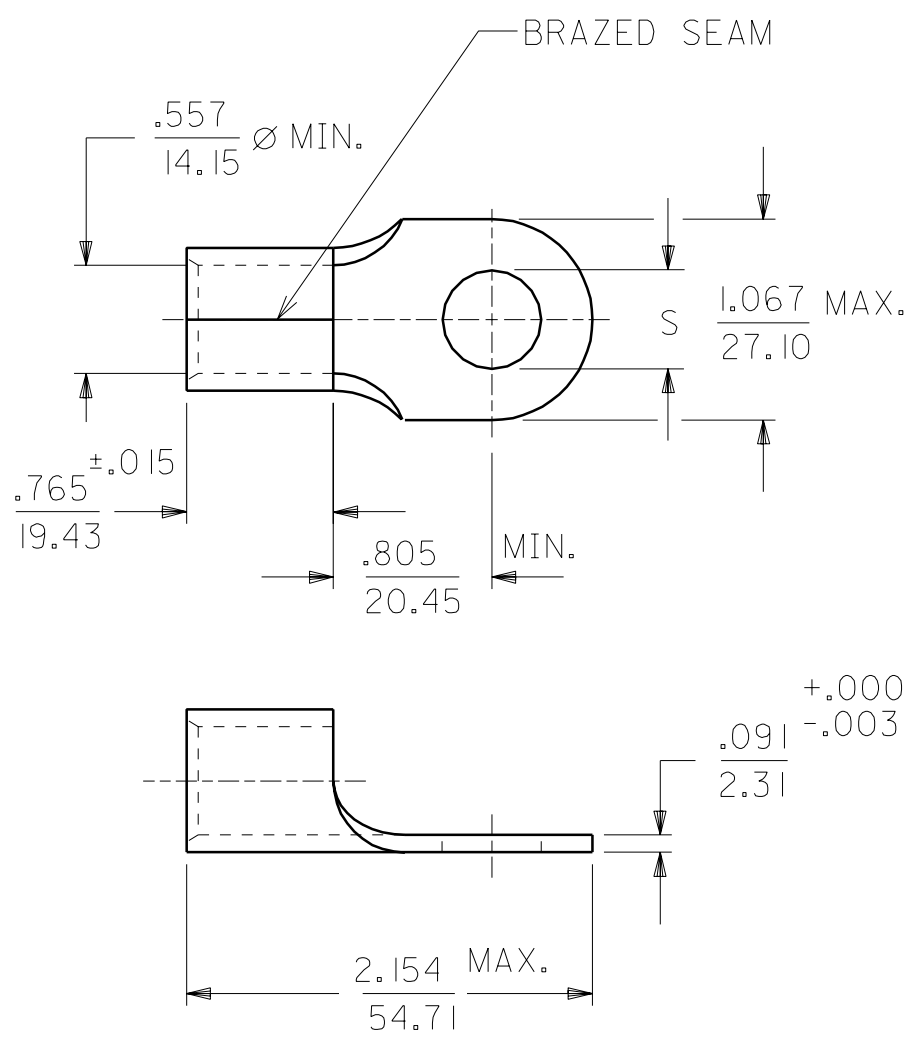
Tooling specifications and manuals are found by selecting the products below. Crimp Height Specifications are then contained in the Application Tooling Specification document.

Global

| Description | Product # |
|--|----------------------------|
| Manual tool for Crimping non-insulated 8AWG thru 4/0 Terminals | 0192940008 |
| Die Set (large) for the HHLS Hydraulic Crimper | 0192900028 |

DRWG. NO. CDK390

MATERIAL: COPPER
PLATING: TIN



| PART NO. | STUD SIZE | ±.003 "S" |
|----------|-----------|-----------|
| K-390-56 | 5/16 | .328 |
| K-390-38 | 3/8 | .390 |
| K-390-76 | 7/16 | .453 |
| K-390-12 | 1/2 | .515 |
| K-390-58 | 5/8 | .656 |
| K-390-34 | 3/4 | .781 |

WIRE SIZE: 3/0 AWG
95 MM²

REVISE ONLY ON CAD SYSTEM
TITLE RING TONGUE TERMINAL
VERSAKRIMP
3/0 AWG

BRWG. BY EMF
CHK'D. BY JM
APP'D. BY FP
SCALE 1:1

molex ETC INC.
PINELLAS PARK, FLA. 34665 U.S.A.
PART NO. SEE CHART
FILE NAME CDK390

SHEET NO. DATE 12/01/93
DRWG. NO. CDK390
THIS DRAWING CONTAINS INFORMATION THAT IS PROPRIETARY TO MOLEX-ETC INC. AND SHOULD NOT BE USED WITHOUT WRITTEN PERMISSION.
DIV. SIZE A