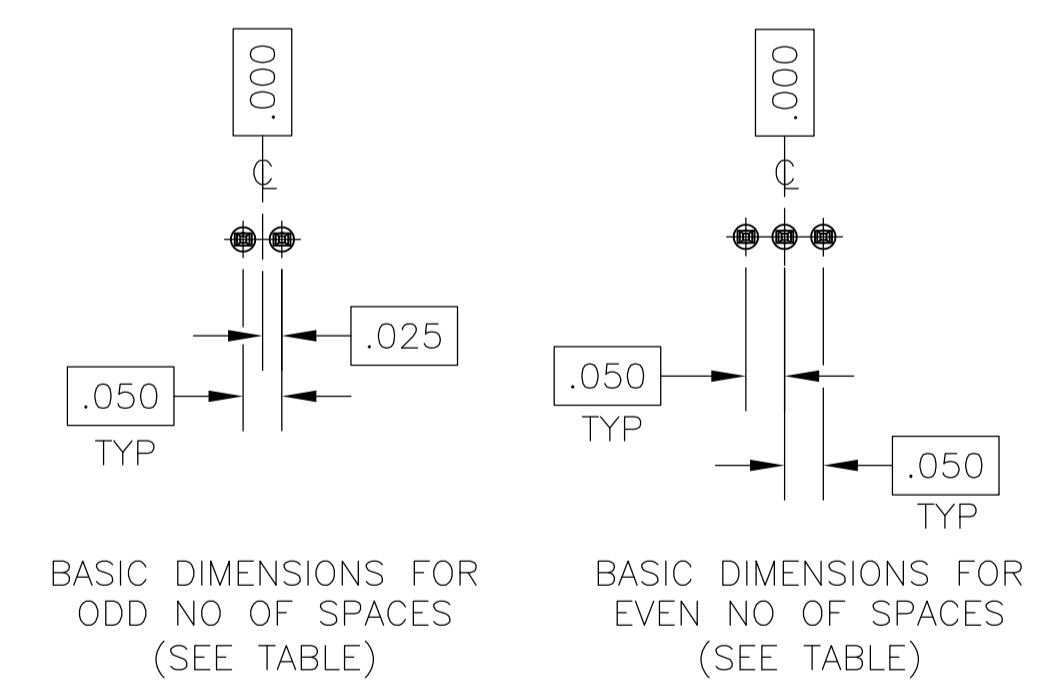
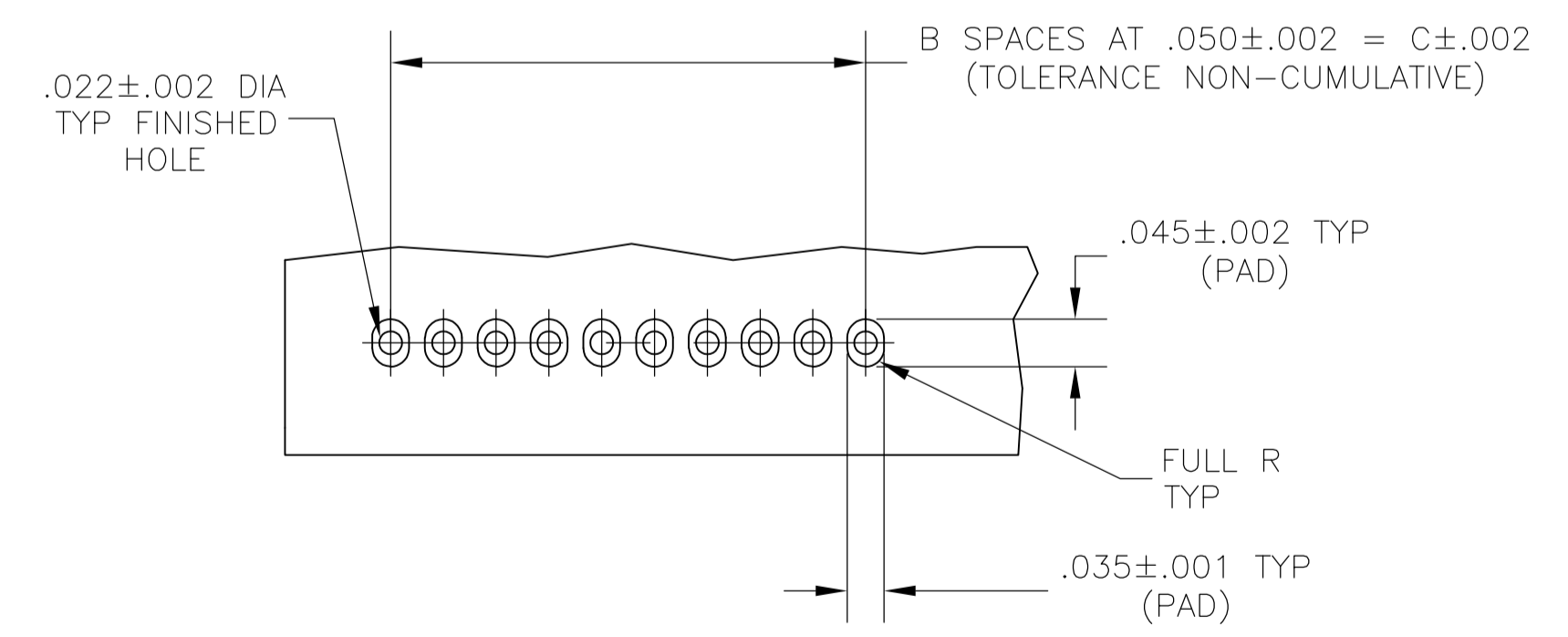
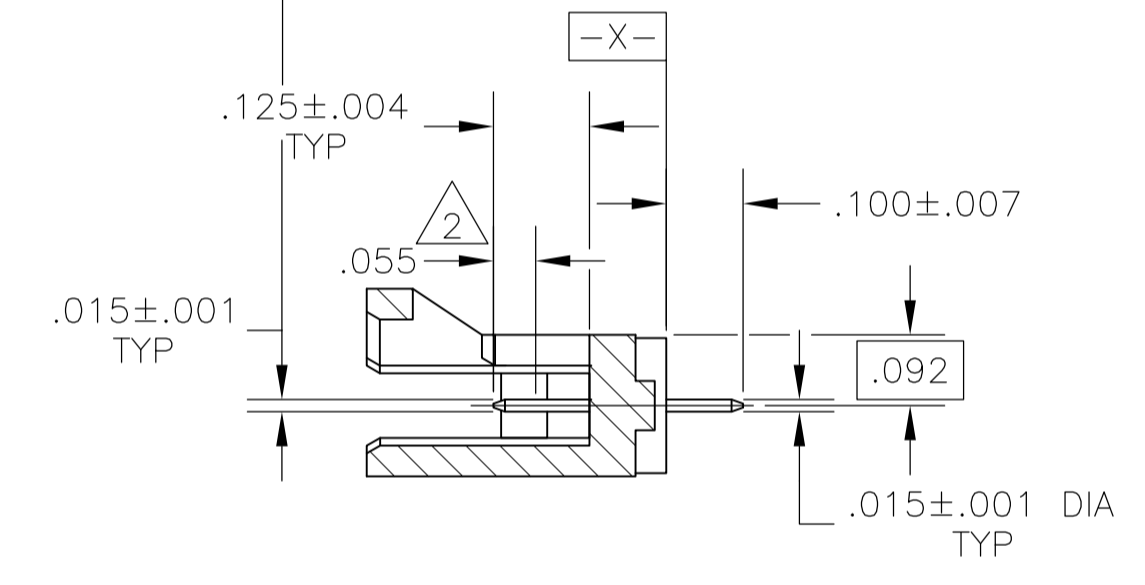
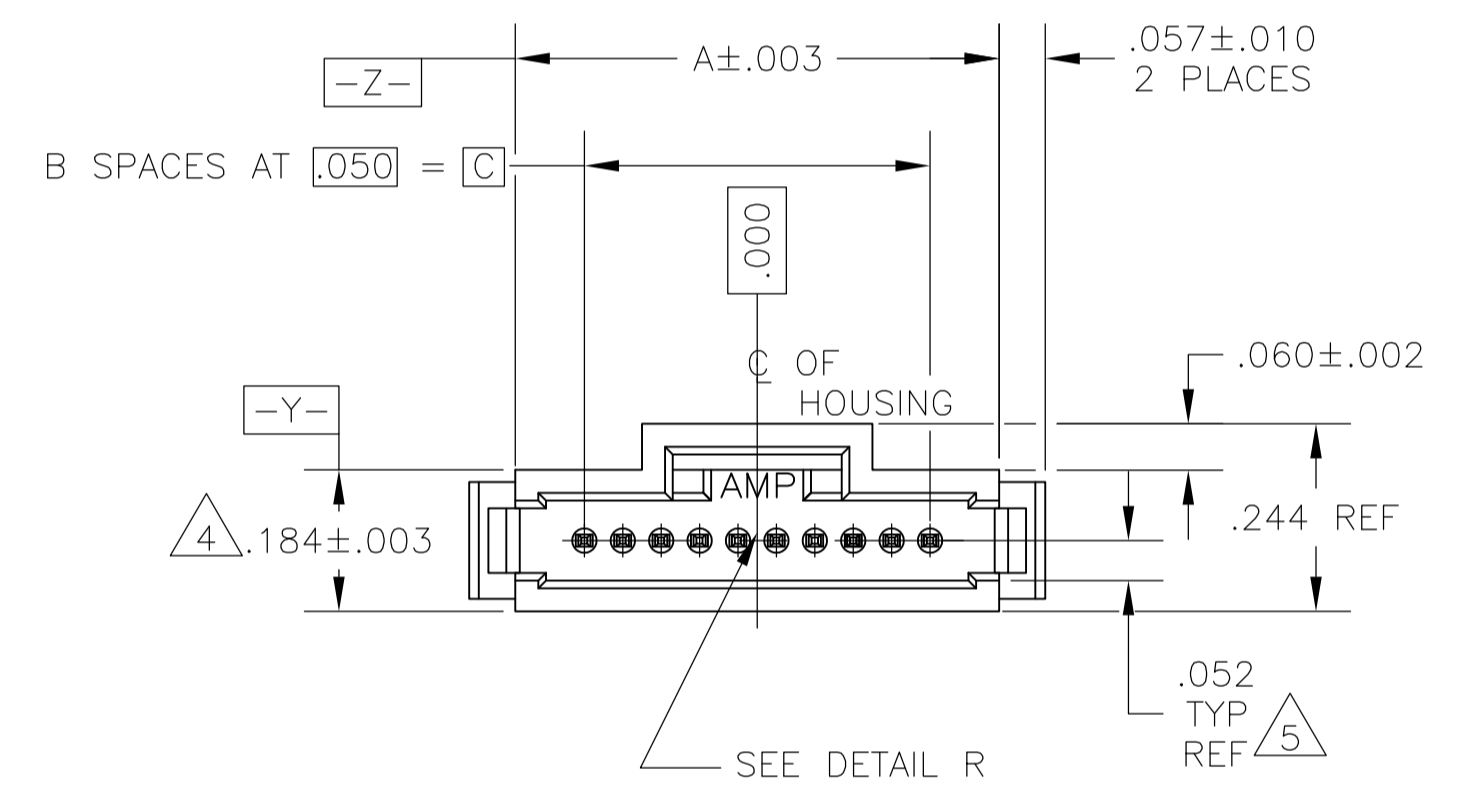


- 1 CONTACT AREAS PLATED WITH .000030 GOLD, SOLDER TAILS PLATED WITH .000150 TIN-LEAD, ALL OVER .000050 NICKEL
- 2 POINT OF MEASUREMENT FOR GOLD THICKNESS
- 3 CIRCUIT IDENTIFICATION FEATURE OMITTED ON 4,5,6 AND 7 POSITION HEADER ASSEMBLIES
- 4 DIMENSION APPLIES AT BASE OF SHROUD
- 5 THE NOTED DIMENSIONS APPLY AT THE INTERSECTION OF THE POST & HOUSING
- 6 Y1/3, Y2/4 ARE LOCATED THE SAME AS Y1/1, Y2/2 EXCEPT ON OPPOSITE SIDE OF HOUSING.
- 7 CONTACT AREAS PLATED WITH .000030 GOLD, SOLDER TAILS PLATED WITH .000150 TIN, ALL OVER .000050 NICKEL
- 8 OBSOLETE PARTS: OBSOLETE CIS STREAMLINING PER D.RENAUD/D.SINISI



7	OBSOLETE	1.250	25	1.430	26	7-104071-0
7	OBSOLETE	2.450	49	2.630	50	6-104071-9
7	OBSOLETE	2.200	44	2.380	45	6-104071-8
7		1.950	39	2.130	40	6-104071-7
7		1.750	35	1.930	36	6-104071-6
7	OBSOLETE	1.300	26	1.480	27	6-104071-5
7		1.050	21	1.230	22	6-104071-4
7		.800	16	.980	17	6-104071-3
7	OBSOLETE	.600	12	.780	13	6-104071-2
7		.550	11	.730	12	6-104071-1
7		.350	7	.530	8	6-104071-0
7	OBSOLETE	.300	6	.480	7	5-104071-9
7		.250	5	.430	6	5-104071-8
7		.150	3	.330	4	5-104071-7
7		1.450	29	1.630	30	5-104071-6
7		1.200	24	1.380	25	5-104071-5
7		.950	19	1.130	20	5-104071-4
7		.700	14	.880	15	5-104071-3
7		.200	4	.380	5	5-104071-2
7		.450	9	.630	10	5-104071-1
7	OBSOLETE	1.250	25	1.430	26	2-104071-0
7	SUPERSEDED BY 6-104071-9	2.450	49	2.630	50	1-104071-9
7	OBSOLETE	2.200	44	2.380	45	1-104071-8
7		1.950	39	2.130	40	1-104071-7
7		1.750	35	1.930	36	1-104071-6
7	OBSOLETE	1.300	26	1.480	27	1-104071-5
7		1.050	21	1.230	22	1-104071-4
7		.800	16	.980	17	1-104071-3
7	OBSOLETE	.600	12	.780	13	1-104071-2
7		.550	11	.730	12	1-104071-1
7		.350	7	.530	8	1-104071-0
7	OBSOLETE	.300	6	.480	7	104071-9
7		.250	5	.430	6	104071-8
7		.150	3	.330	4	104071-7
7		1.450	29	1.630	30	104071-6
7		1.200	24	1.380	25	104071-5
7		.950	19	1.130	20	104071-4
7		.700	14	.880	15	104071-3
7		.200	4	.380	5	104071-2
7		.450	9	.630	10	104071-1

THIS DRAWING IS A CONTROLLED DOCUMENT.

DIMENSIONS: INCHES	TOLERANCES UNLESS OTHERWISE SPECIFIED:	0 PLC ± -	1 PLC ± -	2 PLC ± -	3 PLC ± .005	4 PLC ± -	ANGLES ± -
--------------------	--	-----------	-----------	-----------	--------------	-----------	------------

MATERIAL: HOUSING-THERMOPLASTIC COLOR-BLACK CONTACT-COPPER ALLOY

FINISH: 1, 2

APPROVED: R. DURBIN 12-19-88

NAME: HEADER ASSEMBLY, VERTICAL, SINGLE ROW, W/SIDE & END LATCHES, AMPMODU System 50

PRODUCT SPEC: 108-1093

APPLICATION SPEC: 114-25031

WEIGHT: -

SIZE: A1

CAGE CODE: 00779

DRAWING NO: 104071

RESTRICTED TO: -

CUSTOMER DRAWING

SCALE: 4:1

SHEET: 1 OF 1

REV: N2