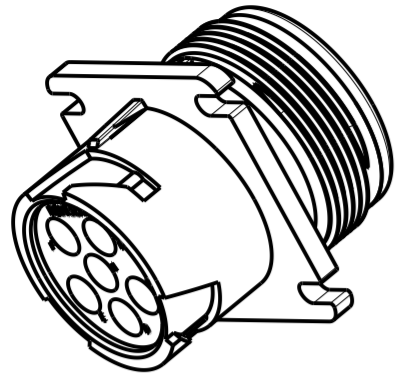
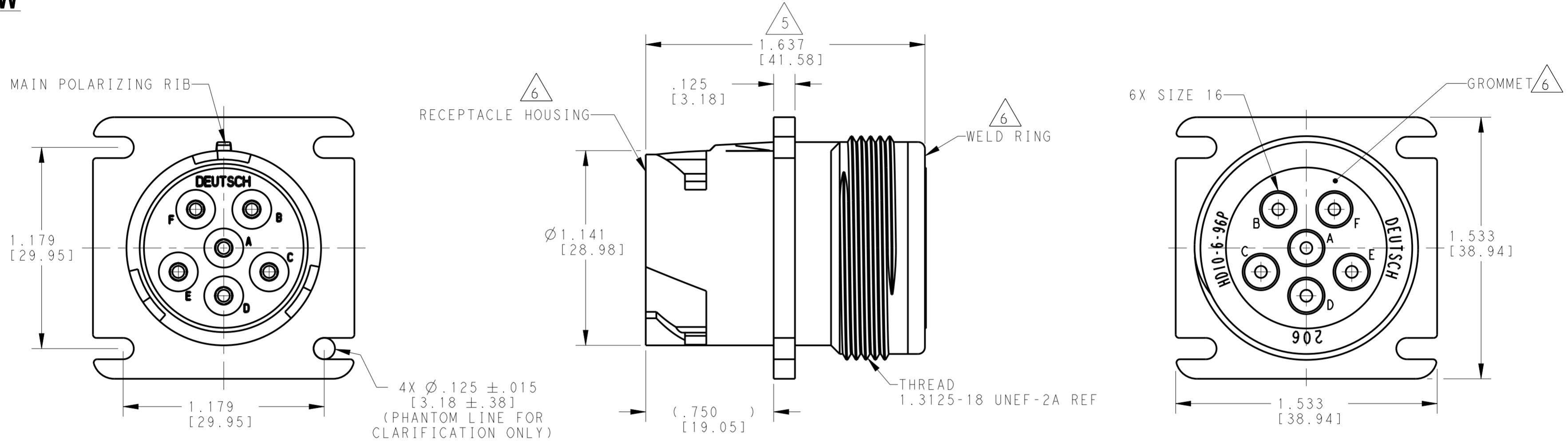


REVISIONS						
LOC	DIST	P	LTR	DESCRIPTION	DATE	APVD
-	-	H		REVISED PER E.O. P17744	11DEC2002	RDR
		J		REVISED PER E.O. P19419	11DEC2006	RDR
		K		REVISED PER E.O. P21366	4JUN2012	RDR
		K1		REVISED PER ECO-14-002953	29JAN2014	PV DM



3-D VIEW



- 6. MATERIAL: RECEPTACLE HOUSING AND WELD RING: PA 15%GF (GREY) GROMMET: SILICONE (RED)
- 5. OVERALL DIMENSION DOES NOT INCLUDE RUBBER GROMMET.
- 4. THIS RECEPTACLE MATES WITH FOLLOWING PLUG (X= SEAL TYPE, XXXX= ALL MODIFICATIONS). HD16-6-96SX-XXXX
- 3. SEE DRAWING 0425-015-0000 FOR CONTACT AND WIRE PERFORMANCE AND APPLICATION CHARACTERISTICS.
- 2. MAXIMUM PANEL THICKNESS IS .250 [6.35].
- 1. SEE TABLE FOR USABLE WIRE RANGE AND INSULATION RANGE.

CONTACT SIZE	MINIMUM O.D.	MAXIMUM O.D.	WIRE RANGE [mm <sup>2</sup> ]
16	.100 [2.54]	.150 [3.81]	14-20 AWG [2.0-.50]

NOTES:

THIS DRAWING IS A CONTROLLED DOCUMENT.

DWN: R. OCHOA 18SEP1998  
 CHK: I. GRANTCHAROVA 16SEP2013  
 APVD: D. MEYER 18SEP2013

TE Connectivity

RECEPTACLE CONNECTOR  
 SQUARE FLANGE HD10 SERIES  
 ARR. 6-96 COLOUR: GREY

SIZE: A2 CAGE CODE: 00779 DRAWING NO: HD10-6-96P RESTRICTED TO: -

WEIGHT: 34.55 (g) SCALE: 2:1 SHEET 1 OF 1 REV: K1

Customer Drawing