

SMD RF Manual Tunable Inductor 2616

- ◆ Operated frequency: 10~230 MHz
- ◆ Q value: 77(no core) , 49(full core)
- ◆ Inductance tuning range: 220 to 296(nH)
- ◆ Core material: Aluminum
- ◆ SRF: 360MHz
- ◆ Operating temperature: -40 ~+125
- ◆ Rotation times(min): 100



Features

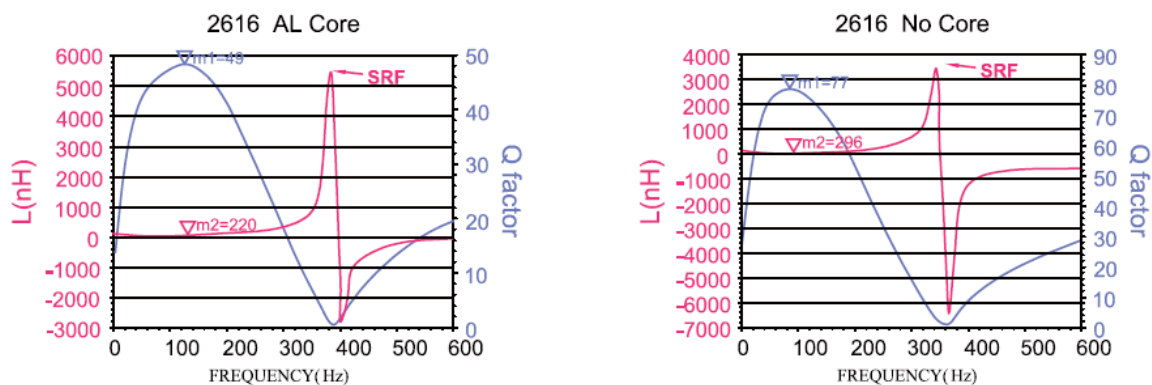
- SMD package
- High temperature resistance, operating reliably from -40 ~125 and in other harsh environment
- Hermetic microstrip circuit, reliable and stable over temperature and humidity changes.
- High Q value, linear tunable, available in increasing or decreasing inductance value
- Built with advanced multi-layer processing, high consistence and high reliability in manufacturing, contributing to good consistence in tuning resonant circuit
- Anti-interference with non-magnetic core, no interference with other devices
- Small size: 5 × 5 × 2.5(mm)
- Termination leads: RoHS compliant, tin or gold over copper
- Low cost, high performance

Applications

- Super Regenerative Receiver Module
- RF Impedance Matching
- Tunable Antennas
- Tuning Resonant Circuit
- Tunable Filter
- Phase Shifter
- Phased Array Radar
- MRI(Magnetic Resonance Imaging)
- NMR(Nuclear Magnetic Resonance)
- Crystal Oscillator
- Broadband Antenna

Characteristic

Typical Q and L vs frequency



型号	No core		At L max		At L min		Freq at max Q (MHz)	Freq Range at 1/2 Qmax	No core SRF min(MHz)	Irms (A)
	L(nH)	Qmin	L(nH)	Qmin	L(nH)	Qmin				
2616	296	77	296	77	220	49	100	10~230	360	1.2

Notes:

1. Operating frequency is based on the half of the maximum Q value.

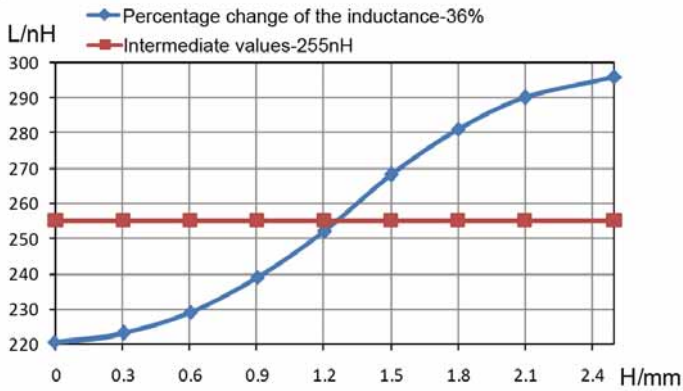
Yantel Corporation

Add : 3F, Building 3, Southern District 2 of ZhongGuan Honghualing Industrial Park, Xili, Nanshan, Shenzhen, China

Tel : 86-755-8355-1886 Fax : 86-755-8355-2533

For detailed performance specs & shopping online see Yantel web site : www.yantel-corp.com

Inductance VS The height of the core rotation

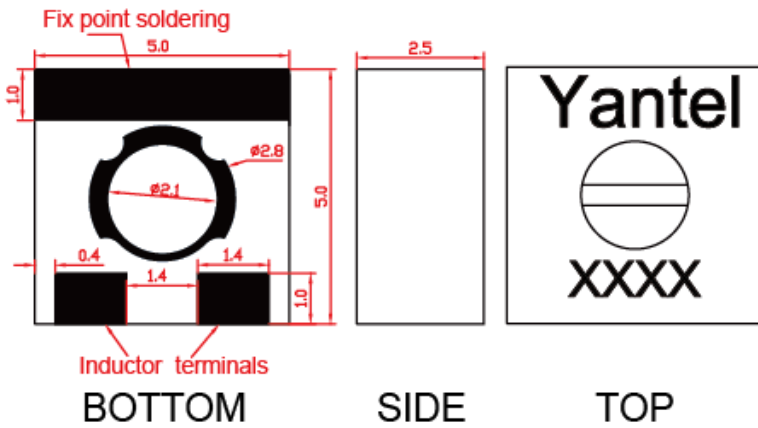


Notes

1. H represents the height of Al core rotation, H max=2.5mm.
2. Inductance changes around the intermediate value.

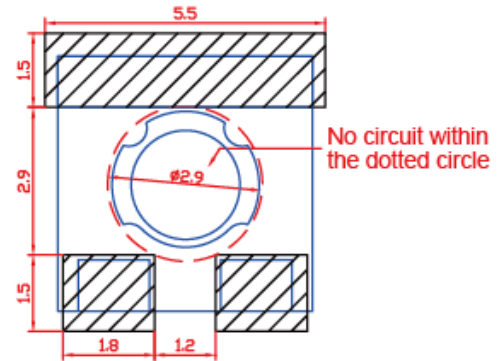
Package Outlines

All dimensions shown in mm unless stated otherwise

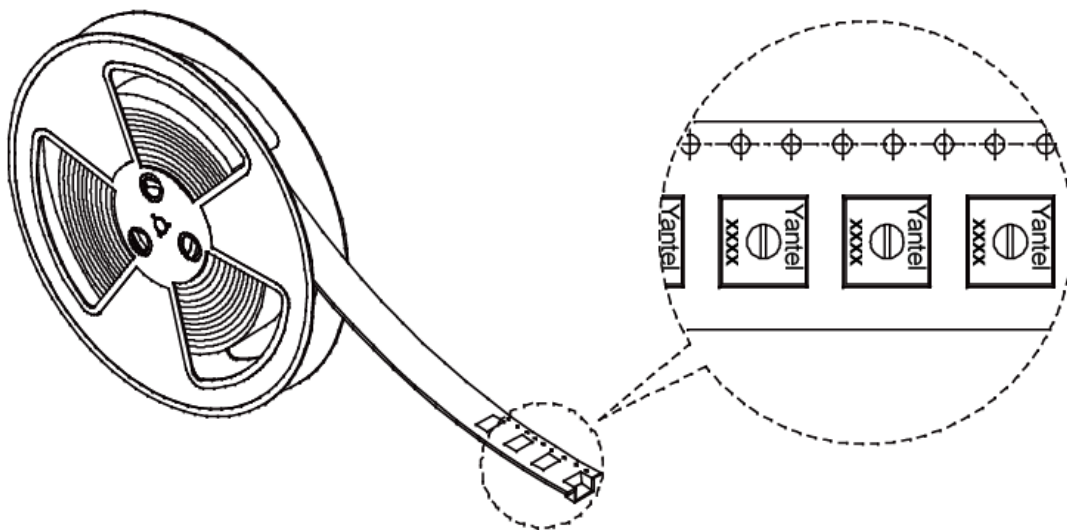


Recommended Layout

All dimensions shown in mm unless stated otherwise



Tape and Reel Drawing



Yantel Corporation

Add : 3F, Building 3, Southern District 2 of ZhongGuan Honghualing Industrial Park, Xili, Nanshan, Shenzhen, China

Tel : 86-755-8355-1886 Fax : 86-755-8355-2533

For detailed performance specs & shopping online see Yantel web site : www.yantel-corp.com