

PLEASE CHECK WWW.MOLEX.COM FOR LATEST PART INFORMATION

Part Number: [0850424268](#)
Status: **Active**
Overview: [din_41612](#)
Description: 2.54mm (.100") Pitch DIN 41612 Receptacle, Style C/2+ Clip Dimensions, 48 Circuits

Documents:

[3D Model](#) [Product Specification PS-85042-001 \(PDF\)](#)
[Drawing \(PDF\)](#) [RoHS Certificate of Compliance \(PDF\)](#)

Agency Certification

CSA LR19980
 UL E29179

General

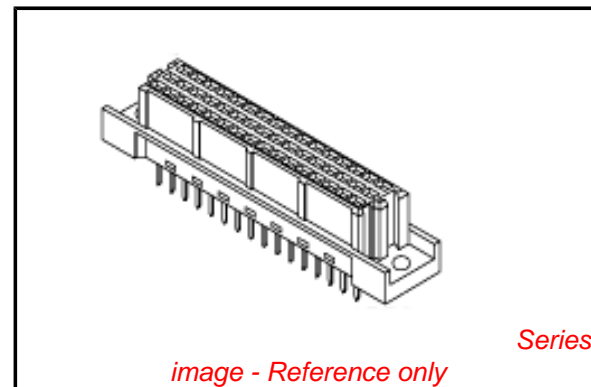
Product Family Backplane Connectors
 Series [85042](#)
 Application Backplane
 Component Type PCB Receptacle
 Overview [din_41612](#)
 Product Name IEC 603-2/DIN 41612
 Style C/2

Physical

Circuits (Loaded) 48
 Circuits (maximum) 48
 Circuits Detail Rows A, B, & C
 Durability (mating cycles max) 400
 First Mate / Last Break No
 Flammability 94V-0
 Guide to Mating Part No
 Keying to Mating Part Yes
 Number of Columns 16
 Number of Pairs Open Pin Field
 Number of Rows 3
 Orientation Vertical
 PC Tail Length (in) 0.114 In
 PC Tail Length (mm) 2.90 mm
 PCB Locator No
 PCB Retention Yes
 PCB Thickness Recommended (in) 0.063 In, 0.157 In
 PCB Thickness Recommended (mm) 1.60 mm, 4.00 mm
 Packaging Type Tray
 Pitch - Mating Interface (in) 0.100 In
 Pitch - Mating Interface (mm) 2.54 mm
 Pitch - Term. Interface (in) 0.100 In
 Pitch - Term. Interface (mm) 2.54 mm
 Polarized to PCB Yes
 Stackable No
 Surface Mount Compatible (SMC) No
 Temperature Range - Operating -55°C to +125°C

Electrical

Current - Maximum per Contact 1A
 Data Rate 622.0 Mbps
 Real Signals (per 25mm) 30
 Shielded No



EU RoHS

**ELV and RoHS
 Compliant**
REACH SVHC
 Not Reviewed
**Halogen-Free
 Status**
Not Reviewed

China RoHS



**Need more information on product
 environmental compliance?**

Email productcompliance@molex.com
 For a multiple part number RoHS Certificate of
 Compliance, [click here](#)

Please visit the [Contact Us](#) section for any
 non-product compliance questions.

Search Parts in this Series

[85042Series](#)

Mates With

DIN 41612 Headers [85003](#) , [85013](#)

Voltage - Maximum

250V AC (RMS)

Material Info

Reference - Drawing Numbers

Product Specification

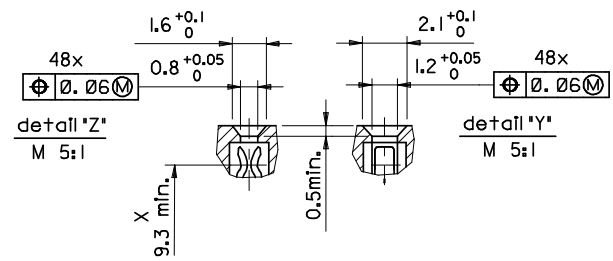
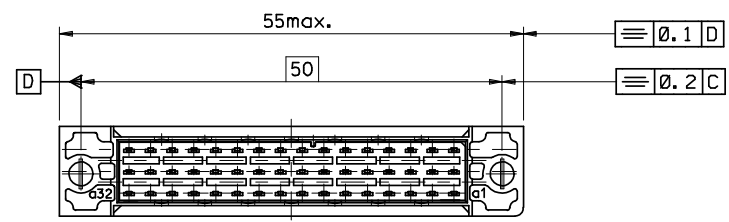
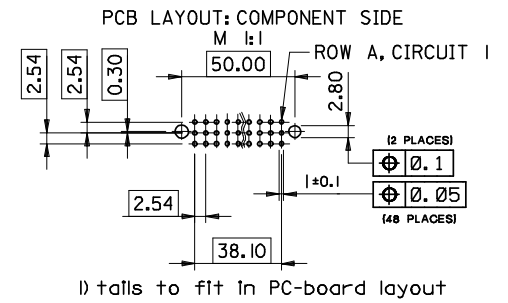
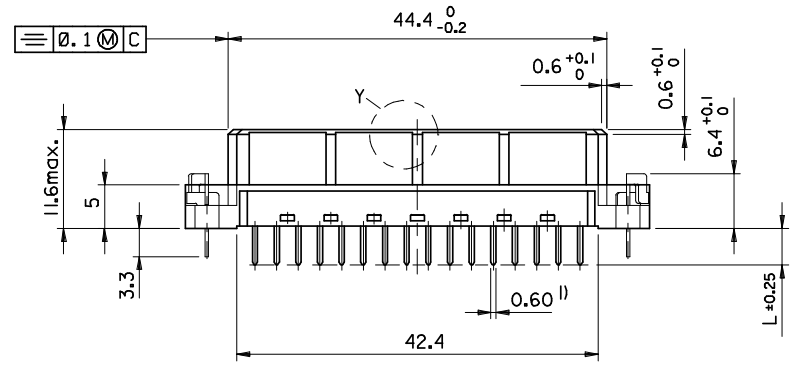
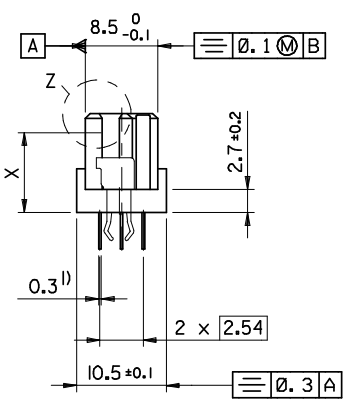
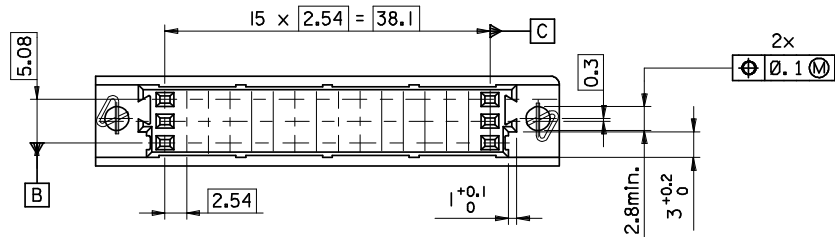
PS-85042-001

Sales Drawing

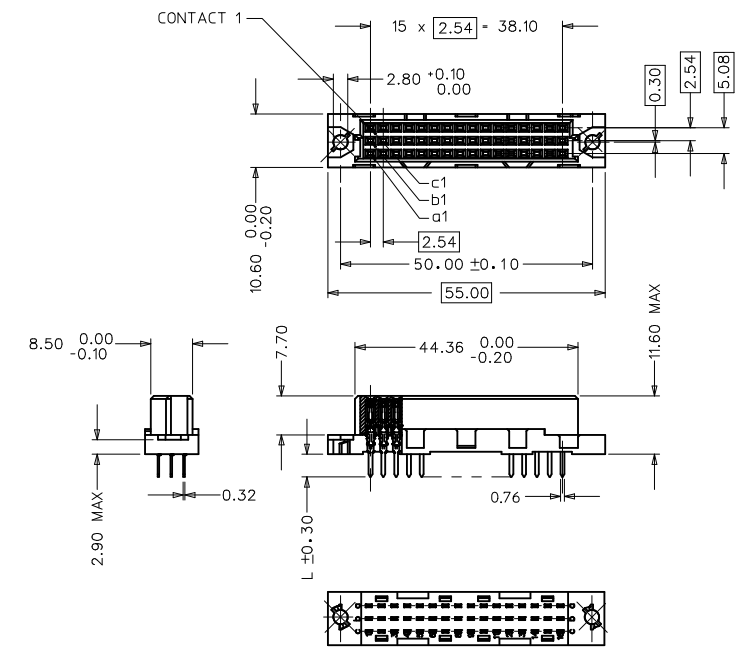
SD-85042-0002, SD-85042-002

This document was generated on 05/17/2010

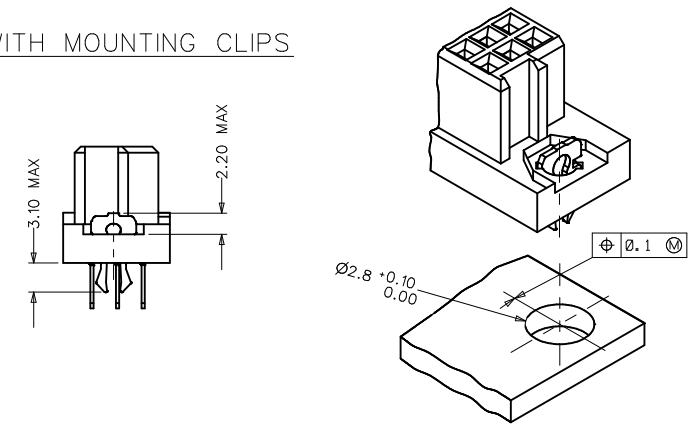
PLEASE CHECK WWW.MOLEX.COM FOR LATEST PART INFORMATION



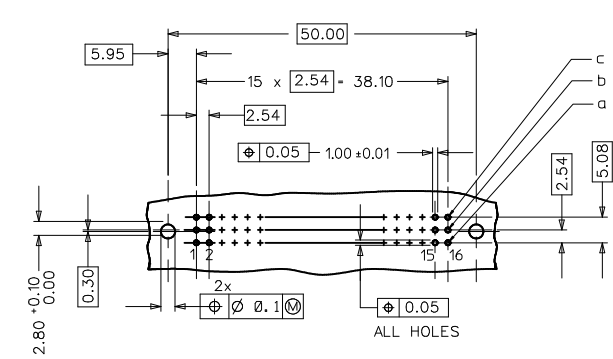
ENTER DESCRIPTION EC NO: 12009-0082 2008/08/20 DRWNS:J CHKD:KPRASAD 2008/08/25 APPR:KPRASAD 2008/08/26	QUALITY SYMBOLS ▽=0 ▽=0	GENERAL TOLERANCES (UNLESS SPECIFIED)		DIMENSION STYLE MM ONLY	SCALE ---	DESIGN UNITS METRIC	THIRD ANGLE PROJECTION
		4 PLACES ±--- ±--- 3 PLACES ±--- ±--- 2 PLACES ±--- ±--- 1 PLACE ±--- ±--- ANGULAR ±---°	mm INCH ±--- ±--- ±--- ±--- ±--- ±--- ±--- ±---	DRAWN BY DATE SUMESH 2008/08/13	TITLE 48 POS. FEMALE CONNECTOR DIN 41612, STYLE C/2 DIMENSIONS		
REVISIONS C	DESCRIPTION 850426115	DRAFT WHERE APPLICABLE MUST REMAIN WITHIN DIMENSIONS		APPROVED BY DATE KPRASAD 2008/08/13	MATERIAL NO. 850426115	DOCUMENT NO. SD-85042-0002	SHEET NO. 1 OF 1
		THIS DRAWING CONTAINS INFORMATION THAT IS PROPRIETARY TO MOLEX INCORPORATED AND SHOULD NOT BE USED WITHOUT WRITTEN PERMISSION					



WITH MOUNTING CLIPS



RECOMMENDED PCB LAYOUT
COMPONENT SIDE



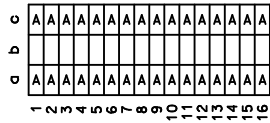
- NOTES:
- 1) MATERIALS: THERMOPLASTIC POLYESTER, GLASS FILLED, UL94V-0, COLOUR: PEBBLE GREY RAL 7032
TERMINAL - PHOSPHOR BRONZE
MOUNTING CLIP: STEEL
 - 2) FINISH: TERMINAL:-
CONTACT AREA:
1. PERFORMANCE LEVEL 1: SELECTIVE GOLD (Au), THICKNESS = 1.1 MICROMETER OVER NICKEL, THICKNESS = 1.5 MICROMETER
2. PERFORMANCE LEVEL 2: SELECTIVE GOLD (Au), THICKNESS = 0.6 MICROMETER OVER NICKEL, THICKNESS = 1.5 MICROMETER
3. PERFORMANCE LEVEL 3: SELECTIVE GOLD (Au), THICKNESS = 0.3 MICROMETER OVER NICKEL, THICKNESS = 1.5 MICROMETER
TERMINATION AREA:
SELECTIVE TIN, THICKNESS = 5 MICROMETER OVER NICKEL, THICKNESS = 1.5 MICROMETER OVERALL
 - 3) MOUNTING CLIP:-
TIN (Sn), THICKNESS = 5-10 MICROMETER, OVER NICKEL (Ni), THICKNESS = 2.5 MICROMETER
 - 4) FOR NON MOUNTING CLIP OPTION, CONNECTOR TO BE SECURED WITH RIVETS: 2 TUBULAR RIVETS 2.5 x 0.3 ... DIN 7340
SCREWS: 2 CHEESEHEAD SCREWS M2.5 x ... DIN 84 AND 2 HEXAGONAL NUTS M2.5 DIN 934
 - 5) MATERIAL No, BATCH CODE, UL AND CSA MARKING TO BE PRINTED ON THE CONNECTOR.
 - 6) CUT FACES OF TIP WITHOUT PLATING PERMITTED.
 - 7) PRODUCT SPECIFICATION PS-85042-0001

RoHS COMPLIANT

ENTER DESCRIPTION EC NO: 2070-0293 2009/12/04 DR/WR/KR/KUMAR 2010/01/27 CH/KD/KPRASAD 2010/03/11 APPR/KPRASAD	QUALITY SYMBOLS ▽=0 ▽=0 ▽=0	GENERAL TOLERANCES (UNLESS SPECIFIED)		DIMENSION STYLE MM ONLY		SCALE 1:1	DESIGN UNITS METRIC	THIRD ANGLE PROJECTION	
		mm	INCH	DRAWN BY SHANKAR	DATE 2006/04/25	TITLE ASSY DIN41612 C/2 FEMALE 48 POS 1.0MM PCB DIA			
		4 PLACES ± ---	± ---	CHECKED BY SSUDHIR	DATE 2006/04/25	MATERIAL NO. SD-85042-002			
		3 PLACES ± 0.005	± ---	APPROVED BY SSUDHIR	DATE 2006/04/25	DOCUMENT NO. SD-85042-002			
2 PLACES ± 0.1	± ---	DRAFT WHERE APPLICABLE MUST REMAIN WITHIN DIMENSIONS		SEE SHEET 2		MOLEX INCORPORATED		SHEET NO. 1 OF 2	
1 PLACE ± 0.15	± ---	ANGULAR ± 2°		THIS DRAWING CONTAINS INFORMATION THAT IS PROPRIETARY TO MOLEX INCORPORATED AND SHOULD NOT BE USED WITHOUT WRITTEN PERMISSION					

MATERIAL No	MOLEX ENG No	PERF LEVEL	PLATING	CONTACT SEQUENCE/ROW	DIM "L" mm	MOUNTING CLIP	FLUX PROOF
850424294	85042-4294	2	Au+Ni	1.2.3....16 a+b+c	2.9	YES	NO
850429025	85042-9025	2	Au+Ni	1.2.3....16 a+b+c	4.5	YES	NO
850420048	85042-0048	2	Au+Ni	1.2.3....16 a+c	4.5	NO	NO
850420086	85042-0086	2	Au+Ni	1.2.3....16 a+b+c	4.5	NO	NO
850421184	85042-1184	1	Au+Ni	1.2.3....16 a+b+c	2.9	NO	YES
850421330	85042-1330	1	Au+Ni	1.2.3....16 a+b+c	4.5	NO	NO
850424268	85042-4268	2	Au+Ni	1.2.3....16 a+b+c	2.9	NO	NO
850424282	85042-4282	2	Au+Ni	1.2.3....16 a+c	2.9	YES	NO
850426098	85042-6098	3	Au+Ni	1.2.3....16 a+b+c	2.9	NO	NO
850429022	85042-9022	2	Au+Ni	1.2.3....16 a+c	2.9	YES	NO

View on mating side



View on mating side



RoHS COMPLIANT

ENTER DESCRIPTION IEC NO: 2090-0293 DRAWN BY: DRWNRKUMAR 2009/12/04 CHECKED BY: CHKDKPRASAD 2010/01/27 APPROVED BY: APPR:KPRASAD 2010/03/11	QUALITY SYMBOLS ▽=0 ▽=0	GENERAL TOLERANCES (UNLESS SPECIFIED)		DIMENSION STYLE MM ONLY		SCALE ---	DESIGN UNITS METRIC	<input checked="" type="checkbox"/> THIRD ANGLE PROJECTION	
		4 PLACES ±--- ±--- 3 PLACES ±--- ±--- 2 PLACES ±--- ±--- 1 PLACE ±--- ±---	mm INCH	DRAWN BY SHANKAR	DATE 2006/04/25	TITLE ASSY DIN41612 C/2 FEMALE 48 POS 1.0MM PCB DIA			
		DRAFT WHERE APPLICABLE MUST REMAIN WITHIN DIMENSIONS		SEE CHART		MATERIAL NO. SD-85042-002			
				APPROVED BY SSUDHIR		DATE 2006/04/25		MOLEX INCORPORATED DOCUMENT NO.	
REV B1				SHEET NO. 2 OF 2		THIS DRAWING CONTAINS INFORMATION THAT IS PROPRIETARY TO MOLEX INCORPORATED AND SHOULD NOT BE USED WITHOUT WRITTEN PERMISSION			