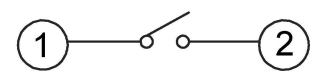
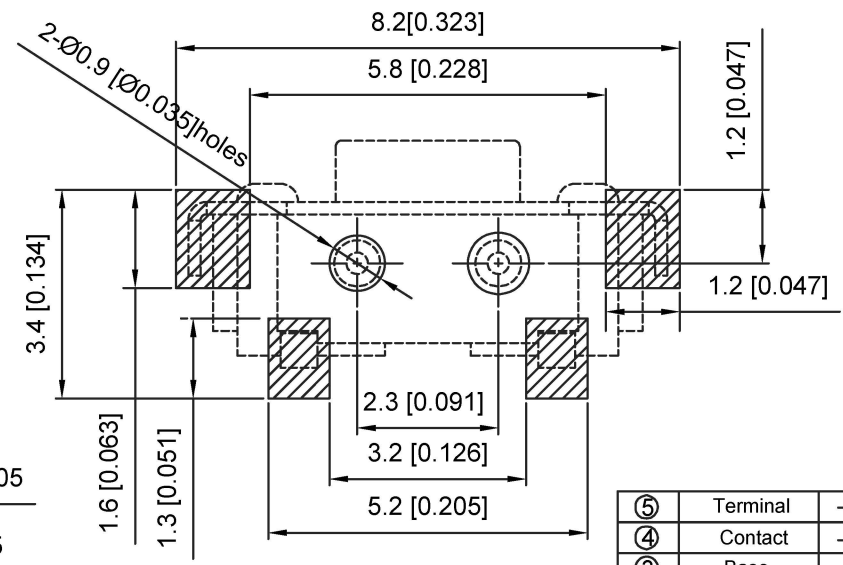
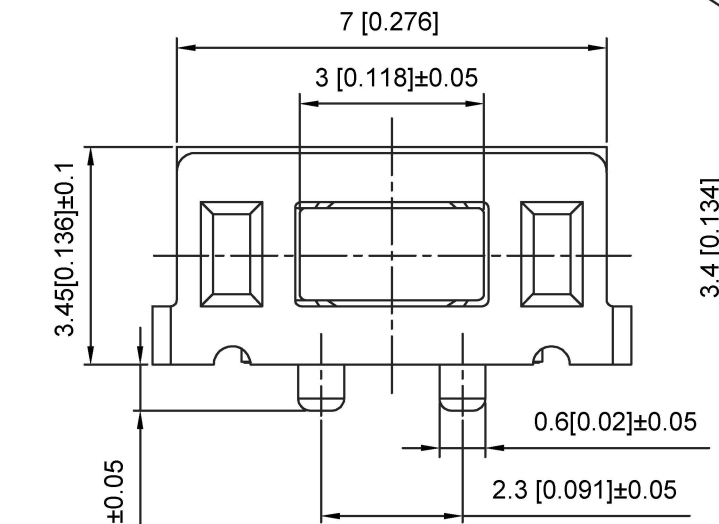


CIRCUIT DIAGRAM



SPECIFICATION

Contact Rating: 50mA, 12V DC
 Contact Resistance: 100mΩ max
 Insulation Resistance: 100mΩ min. 500V DC
 Dielectric Strength: 250V AC/1minute
 Travel: 0.25mm
 Operating Temp: -30°C~+85°C
 Storage Temp: -30°C~+80°C



PAPT NO	TS-1101VS-X-X-B
Operating Force	A:100gf B:160gf C:260gf
Height	H:3.5
Fixed column	A:With B:without
Keystake	A:PA46; B:Silica gel

ITEM	PAPT NAMF	TER,NO	QTY	MATERIAL	FINISHING	REMARK
⑤	Terminal	—	2	Brass (0.30t)	Plating silvering	——
④	Contact	—	1	F.ag/Sus	Natural	——
③	Base	—	1	Lcp		——
②	Cover	—	1	Brass	Plating Nickel	——
①	Keystake	—	1	Silica gel		——

广东星通科技股份有限公司

生效 日期

文件工程章

REVISIONS

DSND	DATE	SCALE: N/A	MODEL TYPE: TACT SWITCH
DWN	DATE	VIEW:	PART NO.:
CHKD	DATE	UNIT: mm/in	DWG NO.:
APPD	DATE	SIZE: A4	TS-1101VS-X-X-B
XKB INDUSTRIAL PRECISION CO., LIMITED			WEIGHT: 1.0g
			SHEET: 1/1
			REVISION: A0