

**PLEASE CHECK WWW.MOLEX.COM FOR LATEST PART INFORMATION**

**Part Number:** **0495051205**  
**Status:** **Active**  
**Description:** Bulb Socket, Unsealed, For W16W, 32.00mm Socket Length, 2 Circuits

**Documents:**

[3D Model](#) [Product Specification PS-49505-001 \(PDF\)](#)  
[Drawing \(PDF\)](#) [RoHS Certificate of Compliance \(PDF\)](#)

**General**

Product Family	Other Sockets
Series	49505
Comments	Bulb socket for W16W
Component Type	Socket
Product Name	Bulb Socket

**Physical**

Circuits (Loaded)	2
Color - Resin	Gray
Durability (mating cycles max)	Contact Molex
Entry Angle	Vertical
Keying to Mating Part	N/A
Material - Resin	Nylon
PCB Retention	None
Packaging Type	Bag
Pitch - Mating Interface (in)	0.343 In
Pitch - Mating Interface (mm)	8.70 mm
Temperature Range - Operating	-40°C to +80°C

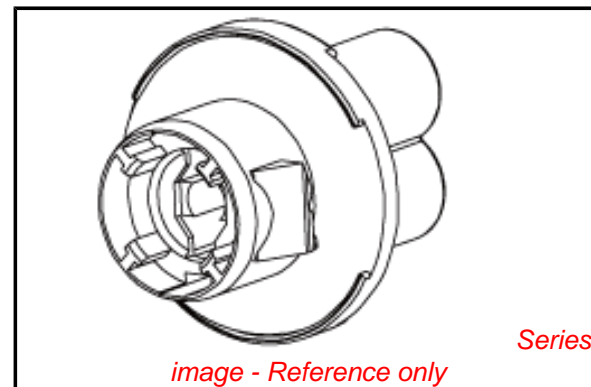
**Electrical**

Current - Maximum per Contact	7A
Voltage - Maximum	12V

**Material Info**

**Reference - Drawing Numbers**

Packaging Specification	PK-49505-001
Product Specification	PS-49505-001
Sales Drawing	SD-49505-003



**EU RoHS**

**ELV and RoHS  
Compliant**  
**REACH SVHC**  
 Not Reviewed  
**Halogen-Free  
Status**  
 Not Reviewed

**China RoHS**



**Need more information on product  
environmental compliance?**

Email [productcompliance@molex.com](mailto:productcompliance@molex.com)  
 For a multiple part number RoHS Certificate of  
 Compliance, [click here](#)

Please visit the [Contact Us](#) section for any  
 non-product compliance questions.

**Search Parts in this Series**

49505Series

**Mates With**

Lamp

**Use With**

35477-9002

