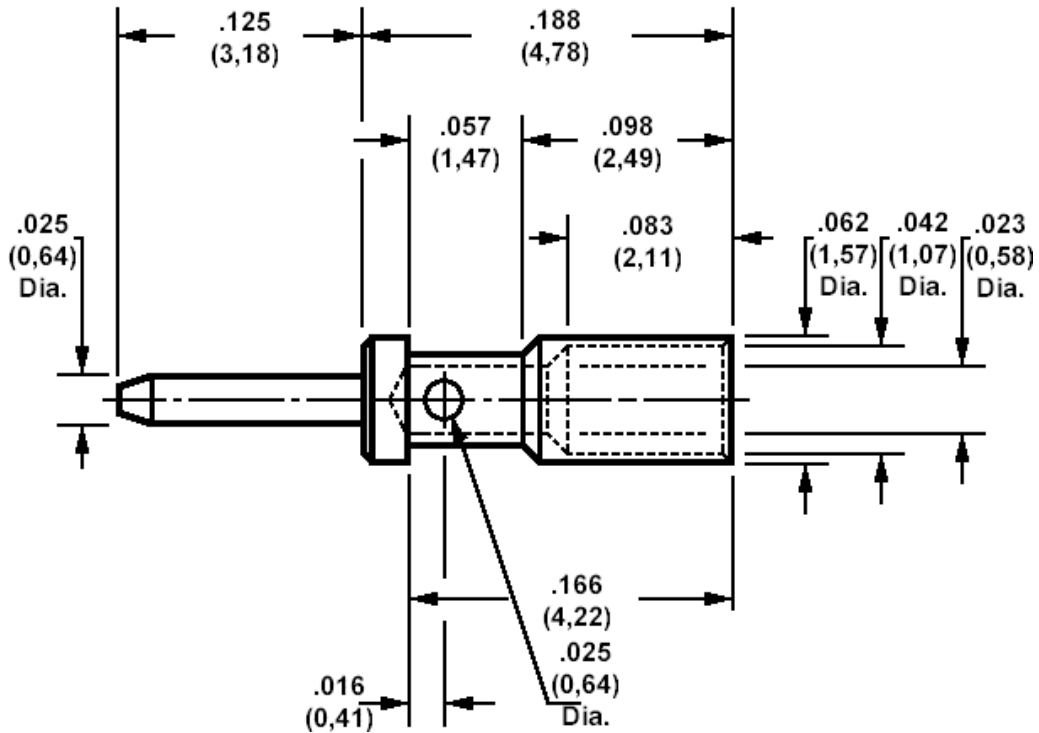


460-3050 Connector pin for patch lead ends, .025 (0,64) diameter pin
 (connector pin supplied with loose heat shrink insulator, 461-3102)



How to order code
460-3050-01-XX-00
 Basic Part No XX= Plating Finish

MATERIALS			
Component	Material	Finish (-03)	Finish (-04)
Pin	Brass	Gold over Nickel	Electro-tin over copper

Recommended hook up wire (not supplied) 28 AWG, 7 strand x 36AWG copper wire with plastic insulation .039 (0,99) maximum diameter over insulation.