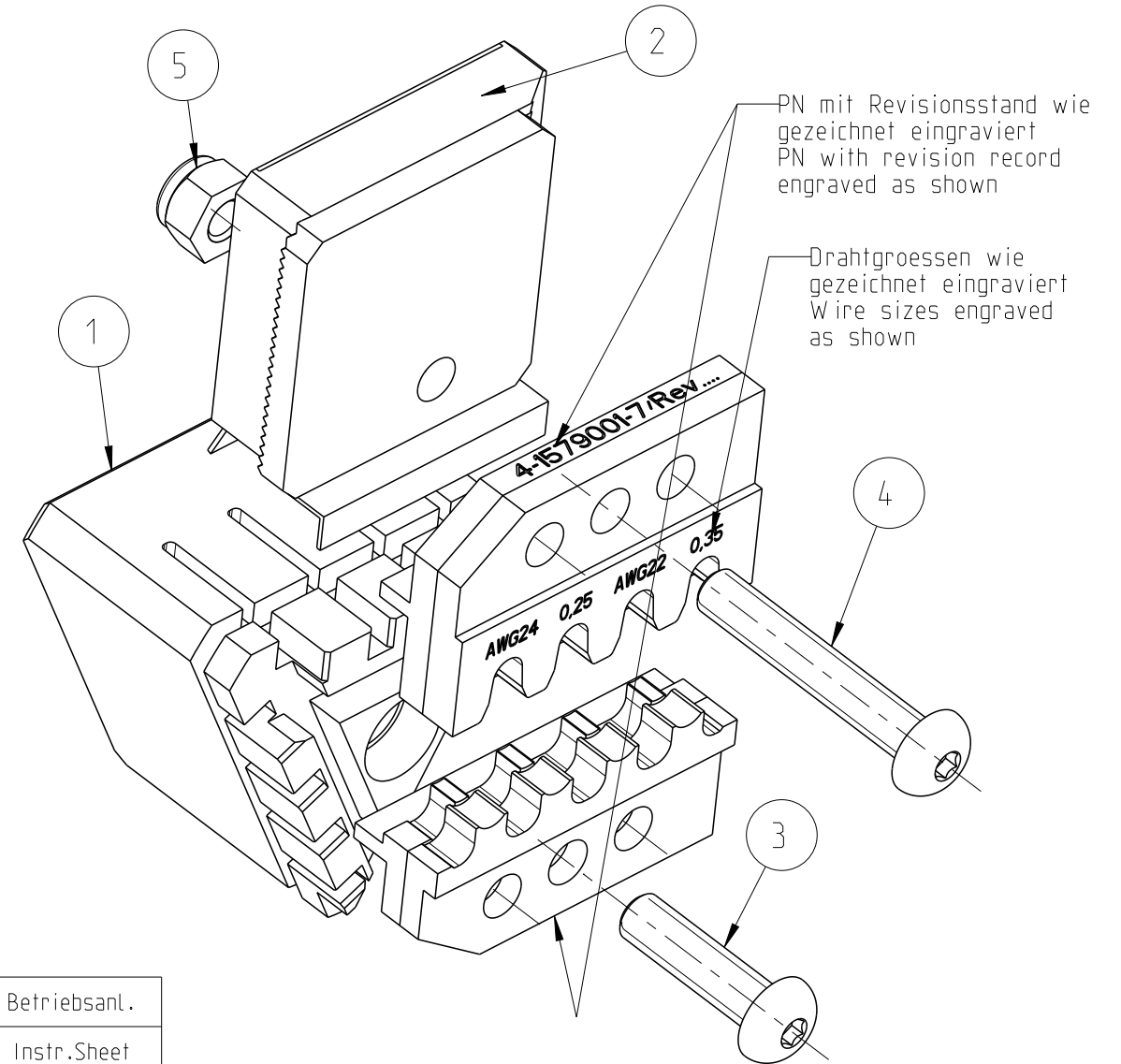


THIS DRAWING IS UNPUBLISHED. RELEASED FOR PUBLICATION 2015
 © COPYRIGHT 2015 Tyco Electronics AMP GmbH ALL RIGHTS RESERVED.

REVISIONS					
P	LTR	DESCRIPTION	DATE	DWN	APVD
	B	ECR-15-003202	26FEB2015	GH	CW
	C	ECR-15-011350	29JUL2015	GH	GS

Matrize in Kombination mit Ergocrimp Basishandzange PN 539635-1 verwenden
 Use die in combination with Ergocrimp basis hand tool PN 539635-1

Matrize im Karton mit Bedienungsanleitung 411-18335 verpackt
 Die packed in a cardboard with instruction sheet 411-18335



4-1579001-7	1	4-0744011-1	Instruction Sheet	Bedienungsanleitung	6
	1	0-0519024-2	Nut M4 DIN 985	Mutter M4 DIN 985	5
	1	1-0519151-3	Screw M4x25	Schraube M4x25	4
	1	1-0519151-1	Screw M4x16	Schraube M4x16	3
	1	7-1579015-7	Locator Assembly	Drahtanschlag	2
	1	7-1579015-6	Contact Locator	Kontaktpositionierer	1
	QTY Stck	PN	Description	Benennung	Pos.

Kontakt	AWG (mm ²)	Drahtcrimp / Wire Crimp		Isolationscrimp/Insulationcrimp		Isol.Ø	Betriebsanl.
Contact	Wire Range	Hoehe/Height mm	Breite/Width mm	Hoehe/Height mm	Breite/Width mm	Ins.Range	Instr.Sheet
1452665 1718758	AWG24	0.75 ±0.03	1.27 F	3.15 max.	3.15 0	1.10-1.75	411-18335
	0.25	0.78 ±0.03		3.15 max.			
	AWG22	0.83 ±0.03		3.15 max.			
	0.35	0.84 ±0.03		3.15 max.			

THIS DRAWING IS A CONTROLLED DOCUMENT.		DWN G.Herold	26FEB2015	TE Connectivity ERGO DIE SET MCON1.2LLSWS/TAB SWS Ergo Matrize MCON 1.2 EDS/Flach EDS	
DIMENSIONS: mm		CHK C.Witt	26FEB2015		
TOLERANCES UNLESS OTHERWISE SPECIFIED:		APVD G.Stegmayer	26FEB2015		
0 PLC ± 1 PLC ± 2 PLC ± 3 PLC ± 4 PLC ± ANGLES ±°		PRODUCT SPEC			
MATERIAL		FINISH		APPLICATION SPEC	
-		-		-	
-		-		WEIGHT	
-		-		-	
CUSTOMER DRAWING				SIZE A3	CAGE CODE 00779
-				DRAWING NO G-4-1579001-7	RESTRICTED TO
-				SCALE	SHEET 1 OF 1
-				REV	C