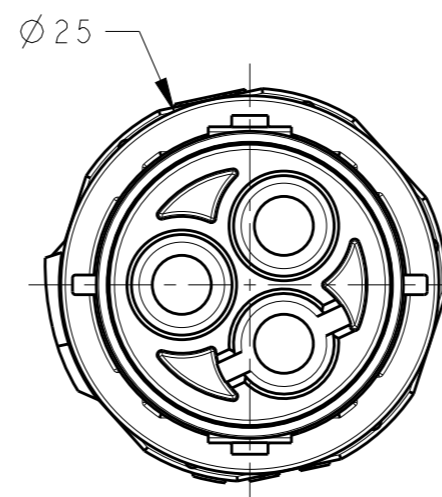
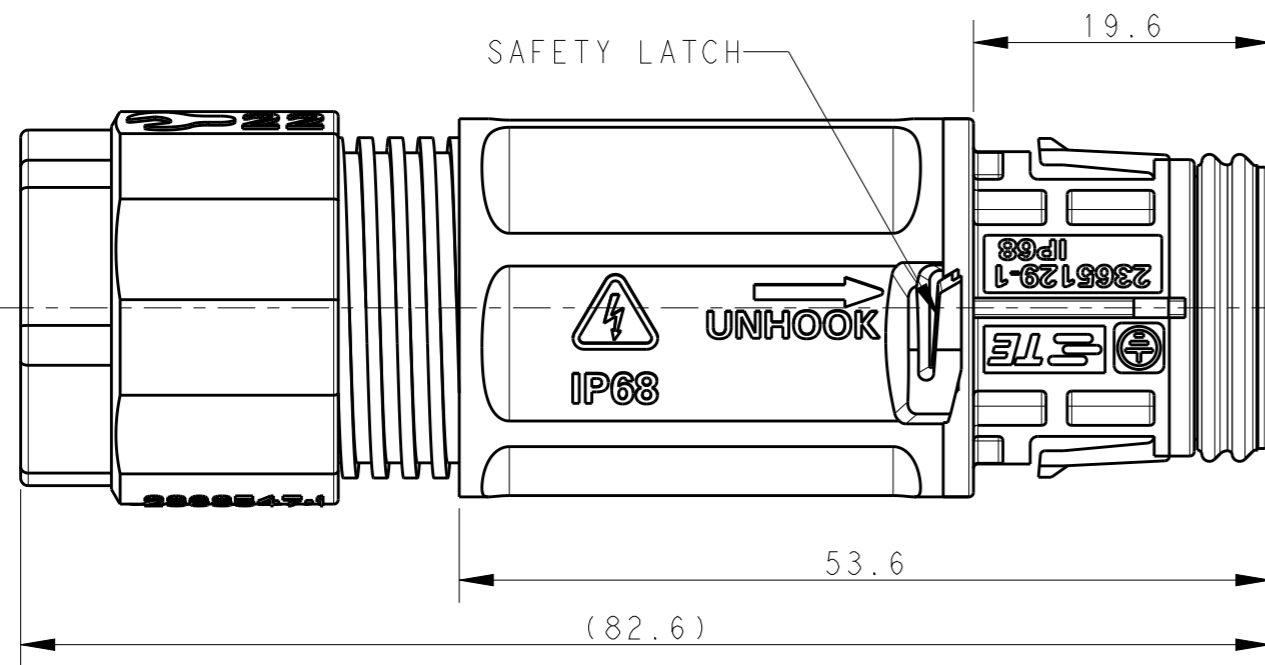


P	LTR	DESCRIPTION	DATE	DWN	APVD
1		INITIAL ISSUE	28AUG2020	SM	MZ
2		INFORMATION ADDED TO SHEET 2	01OCT2020	SM	MZ
3		DRAFTING UPDATES	29OCT2020	SM	MZ
A		PRODUCT UNDER TESTING	24NOV2020	SM	MZ



NOTES:

1. CONTACTS SUPPLIED SEPARATELY ON REELS, MUST PURCHASED ACCORDING TO WIRE SIZES. BELOW ARE THE CONTACT PART NUMBERS:

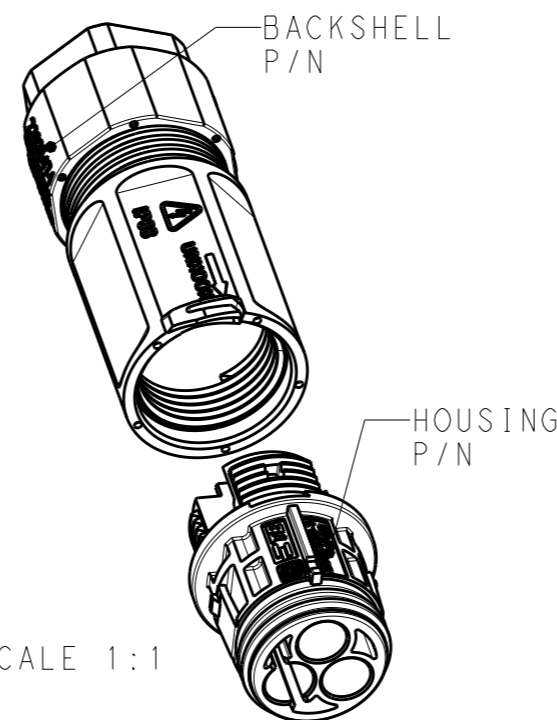
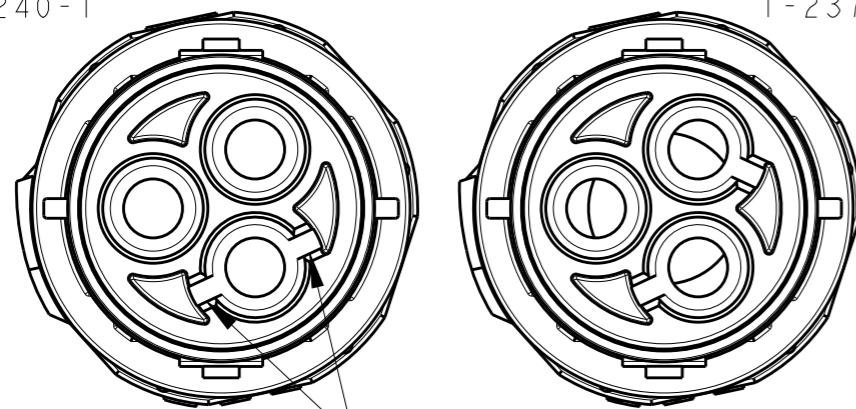
CONTACT P/N	WIRE SIZE
2359528-1	1.5mm <sup>2</sup> TO 2.5mm <sup>2</sup> 16AWG TO 14AWG
2359528-2	4.0mm <sup>2</sup> 12AWG

- MATERIALS:  
PLASTICS: PBT+PC ALLOY, UL-V0, UV-F1  
CONTACTS: COPPER ALLOY, TIN PLATED  
SCREWS : STAINLESS STEEL
- OPERATING RATINGS :  
VOLTAGE (max): 600Vac Max  
CURRENT (max): 25A ON 4.0mm<sup>2</sup> & 20A ON 12AWG  
TEMPERATURE : -40°C TO 85°C  
IP RATING : IP67 & IP68
- FOR ASSEMBLY INSTRUCTIONS, REFER APPLICATION SPECIFICATION 114-133123
- PACKAGING: MOQ 200 pcs IN PE BAG

**PRODUCT UNDER TESTING**  
CONTACT PRODUCT ENGINEERING BEFORE USING THIS PRINT

POLARIZING KEY A  
2379240-1  
1-2379240-1

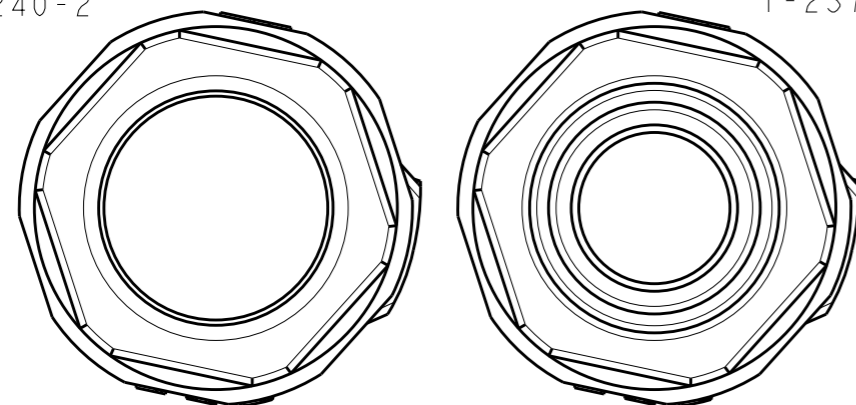
POLARIZING KEY B  
2379240-2  
1-2379240-2



SCALE 1:1

BACKSHELL FOR  
2379240-1  
2379240-2

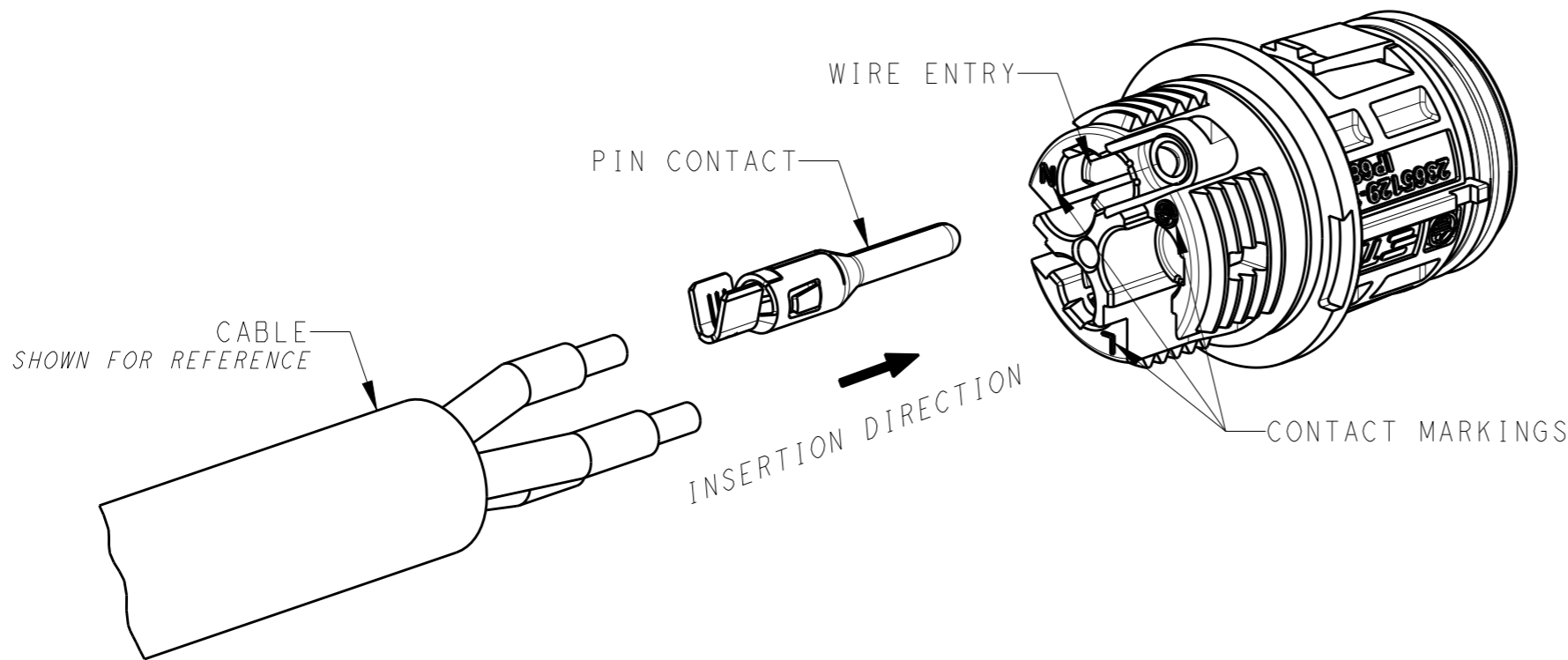
BACKSHELL FOR  
1-2379240-1  
1-2379240-2



BACKSHELL P/N	HOUSING ASSY P/N	POLARIZING KEY	CABLE RANGE	DESCRIPTION	PART NUMBER
2363547-2	2365129-2	KEY B	Ø7 - Ø10	IN-LINE PIN CONNECTOR	1-2379240-2
	2365129-1	KEY A			1-2379240-1
2363547-1	2365129-2	KEY B	Ø10.5 - Ø15	IN-LINE PIN CONNECTOR	2379240-2
	2365129-1	KEY A			2379240-1

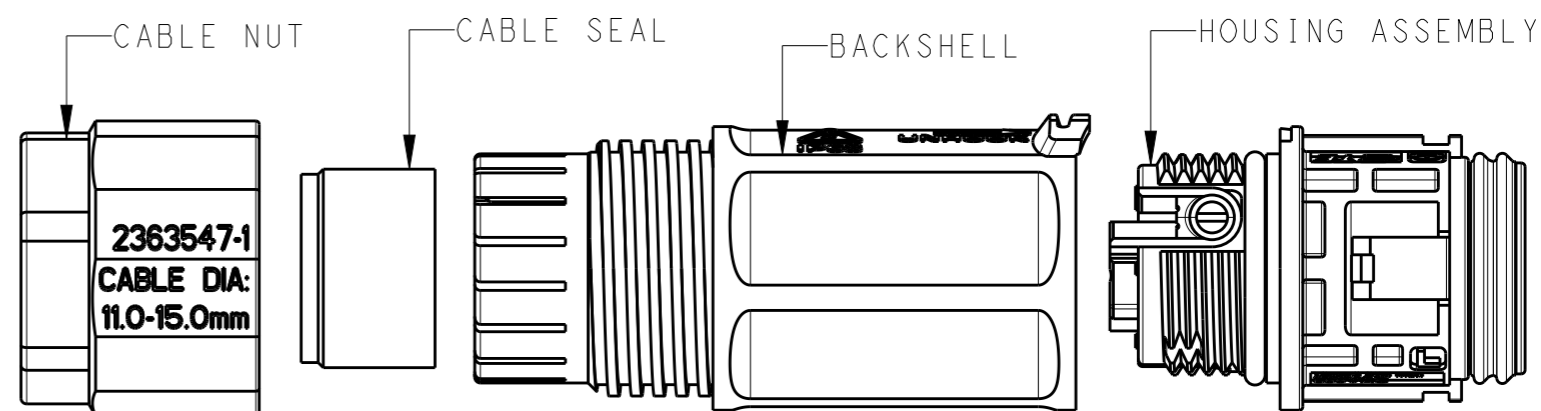
THIS DRAWING IS A CONTROLLED DOCUMENT.		DWN SUBHASH. M 28AUG2020			
DIMENSIONS: mm		CHK M. ZUCCA 28AUG2020			
TOLERANCES UNLESS OTHERWISE SPECIFIED:		APVD PETER OTT 24NOV2020	NAME NECTOR T, 3Pos, PIN CONNECTOR CRIMP TYPE		
0 PLC ±0.2 1 PLC ±0.2 2 PLC ±0.1 3 PLC ± 4 PLC ± ANGLES ±1°		PRODUCT SPEC 108-133123	SIZE A3	CAGE CODE 00779	DRAWING NO C-2379240
MATERIAL -		FINISH -	APPLICATION SPEC 114-133123	RESTRICTED TO -	
CUSTOMER DRAWING		WEIGHT -	SCALE 2:1 SHEET 1 OF 2 REV A		

CRIMP TERMINATION  
REFER 114-133123 FOR DETAILED INSTRUCTION  
NOT TO SCALE



REVISIONS					
P	LTR	DESCRIPTION	DATE	DWN	APVD
-		SEE SHEET 1	-	-	-

EXPLODED COMPONENTS  
NOT TO SCALE



THIS DRAWING IS A CONTROLLED DOCUMENT.		DWN SUBHASH. M 28AUG2020	<b>TE Connectivity</b>	
DIMENSIONS: mm		CHK M. ZUCCA 28AUG2020		
TOLERANCES UNLESS OTHERWISE SPECIFIED:		APVD PETER OTT 24NOV2020	NAME NECTOR T, 3Pos, PIN CONNECTOR CRIMP TYPE	
0 PLC ±0.2 1 PLC ±0.2 2 PLC ±0.1 3 PLC ± 4 PLC ± ANGLES ±1°		PRODUCT SPEC 108-133123	RESTRICTED TO	
MATERIAL -		FINISH -	APPLICATION SPEC 114-133123	SIZE A3
		WEIGHT -	CAGE CODE 00779	DRAWING NO 2379240
		CUSTOMER DRAWING	SCALE 2:1	SHEET 2 OF 2
				REV A