

Version:2.0

SPECIFICATION

SFA050XS1-AV

 Customer ApprovedCustomer
_____Date
_____By
_____ Sunful's ConfirmationApproved By
_____Prepared By
_____Room A ,18/F,Haiying Buliding ,Fuhua Rd,
Futian District, Shenzhen.

Tel: +86-755-82911760 82911758

Fax:+86-755-82915120

Date: 2005.1.10



CONTENTS

General Description.....	3
Features	3
Applications	3
Driving Board Function Block	4
Application Schematic Diagrams	5
Electronic Characteristics.....	6
Connector Pin Definition.....	7
Outline Dimension	8



General Description:

This Color TFT LCD Driving Board apply to drive PVI's PA050XS1-7 Color TFT LCD Panel, The Driving Board provides all the Needs to convert Composite video signal to the proper interface of LCD Panel .It can accept PAL and NTSC Video signal input.

Features:

- Fit PRIME VIEW PA050XS1-7 TFT LCD
- Ultra Compact
- DC/DC DC/AC Video Decoder All In One
- PAL or NTSC Video input
- Up/Down Display Reverse
- Left/Right Display Reverse
- Single Operation Voltage 12V

Applications:

- Security
- Video Game
- Door Phone
- Video Phone
- Portable TV
- Instrument Display

Video input signal:

- Composite Video Signal 1.0Vp-p 75R

Work temperature:

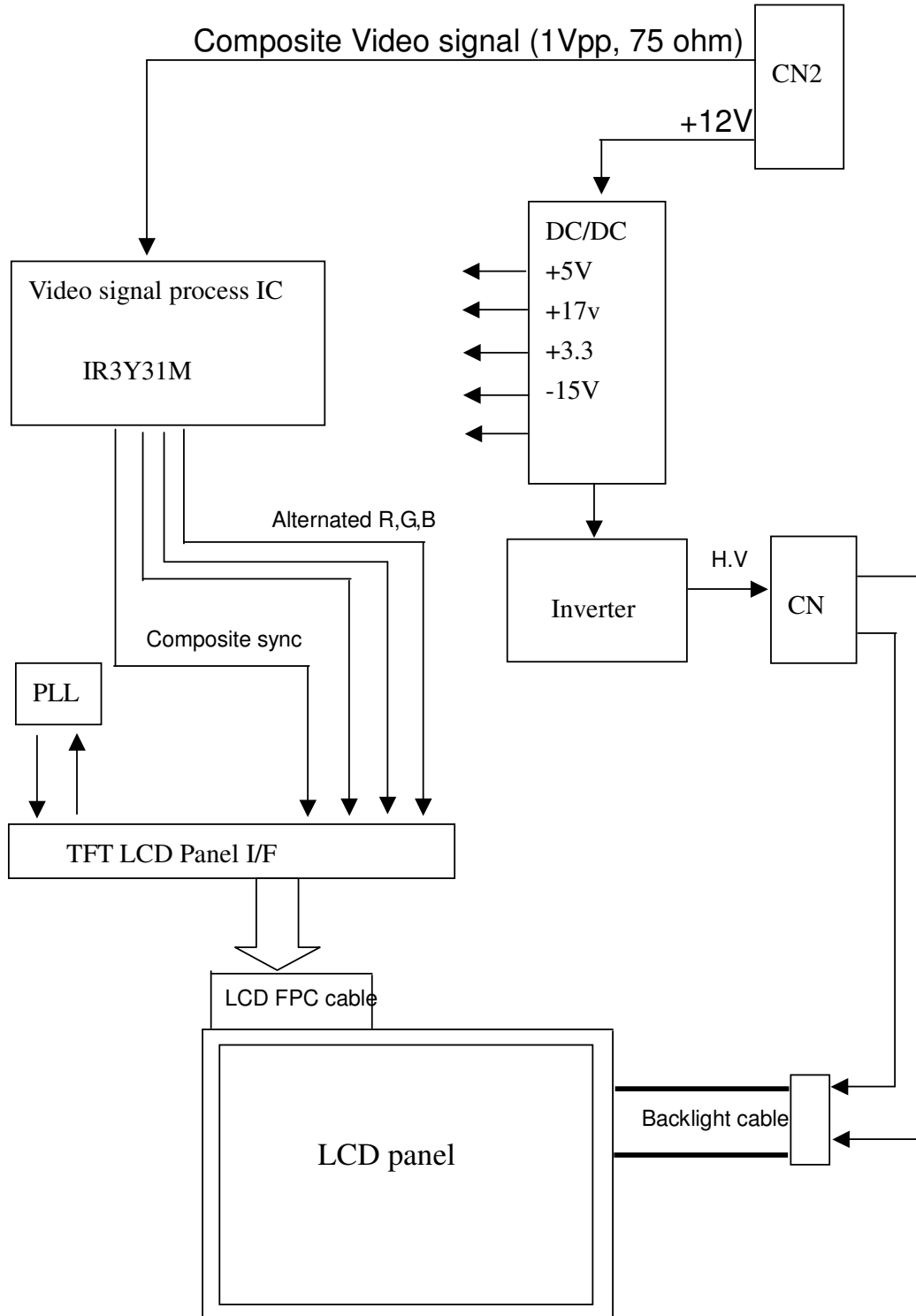
- -20⁰C—+70⁰C

Storage temperature:

- -30⁰C—+80⁰C

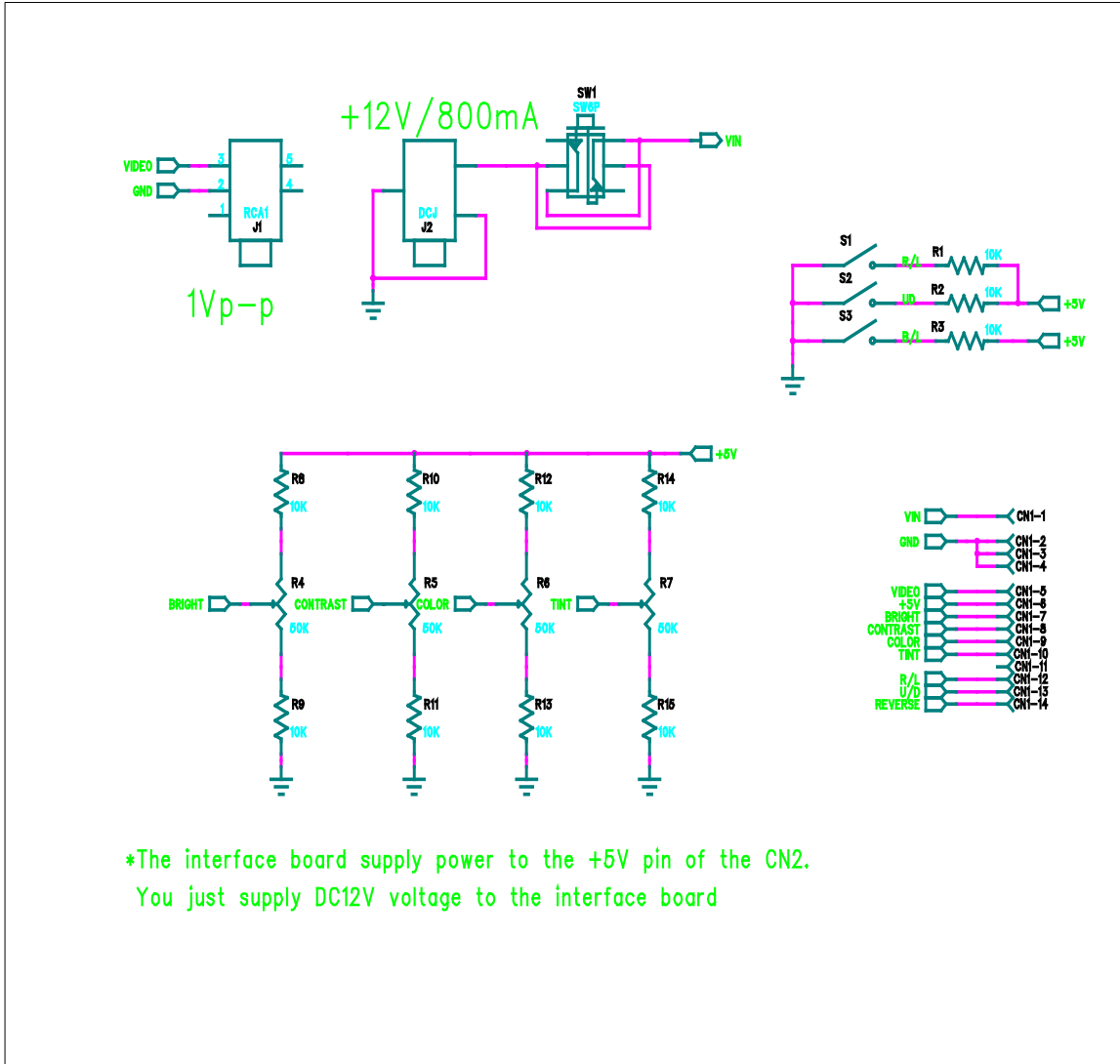


Driving Board Function Block:





Application Schematic Diagrams





Electronic Characteristics (CN2)

Pin	Symbol	I/O	Conditions	Min	Typ	Max	Unit
5	Video	I	PAL or NTSC		1		V
1	V in I in P in	I	DC(+) DC (+12V)	10	12 550 6.6	14	V mA W
6	Vo Io	O	DC (+)		5 20		V mA
7	Bright(RGB)	I	DC (+)	2.1	2.3	2.5	V
8	Contrast	I	DC (+)	2.1	2.3	2.5	V
9	Color	I	DC (+)	1.3	1.5	1.7	V
10	Tint	I	DC (+)	1.7	1.8	1.9	V

Other VR Default Voltage

Pin	Symbol	I/O	Conditions	Min	Typ	Max	Unit
1	BRT	I	DC(+)	2.1	2.3	2.5	V
2	PIC	I	DC(+)	1.3	1.5	1.7	V

Input / Output Connector

1.) CN2: Power & Video Input Connector

Pin No. : 14 , Pitch : 1.25 mm, Molex 53398-1410 or compatibility

2.) CN3: RGB... Input Connector

Pin No. : 9 , Pitch : 1.25 mm, Molex 53398-0910 or compatibility

3.) CN1: LCD Signal Output Connector

FPC Down Connector, 30 Pins , Pitch : 0.5 mm

4.) CNH1: Backlight High Voltage Connector

Pin No. : 2 , Pitch : 3.5 mm JST BHSR-02VS-1 or compatibility



Connector Pin Definition

CN2 pin definition

No.	Pin Name	I/O	Pin description	Remark
1	Vin	I	+12V power input	
2	GND	I	Power ground	
3	GND	I	Power ground	
4	GND	I	Video signal ground	
5	Video	I	Composite video signal input	
6	+5V	O	For pin7/8/9/10 control purpose	
7	Brightness	I	Brightness control voltage input	
8	Contrast	I	Contrast control voltage input	
9	Color	I	Color control voltage input	
10	Tint	I	Tint control voltage input	
11	N.C.	NC	No connection	Reverse
12	R/L	I	Picture left/right inverse control	NOTE 1
13	U/D	I	Picture up/down inverse control	NOTE 2
14	DIMMER	I	Dimmer (Default Low)	

CN3 pin definition

No.	Pin Name	I/O	Pin description	Remark
1	Rin	I	Red signal input	
2	Gin	I	Green signal input	
3	Bin	I	Blue signal input	
4	SW	I	Switch (Video/RGB Select)	NOTE 3
5	SYNC IN	I	SYNC Input	
6	SYNC OUT	O	SYNC Output	
7	/HSYNC OUT	O	Reverse HSYNC Output	
8	/VSYNC OUT	O	Reverse VSYNC Output	
9	GND	I	Power Ground	

(1) CNH1 pin definition

No.	Pin Name	I/O		Remark
1	HV	O	Lamp driving terminal (high voltage)	
2	LV	O	Lamp driving terminal (low voltage)	

(2) CN1 pin definition

Meet PA050XS1 input definition

Note 1:

R/L = Hi (+5V) for shift right, Low (GND) for shift left

Note 2:

U/D = Hi (+5V) for down, Low (GND) for up

Note 3:

VIDEO = Low, High (+5v) for RGB INPUT



Default states:

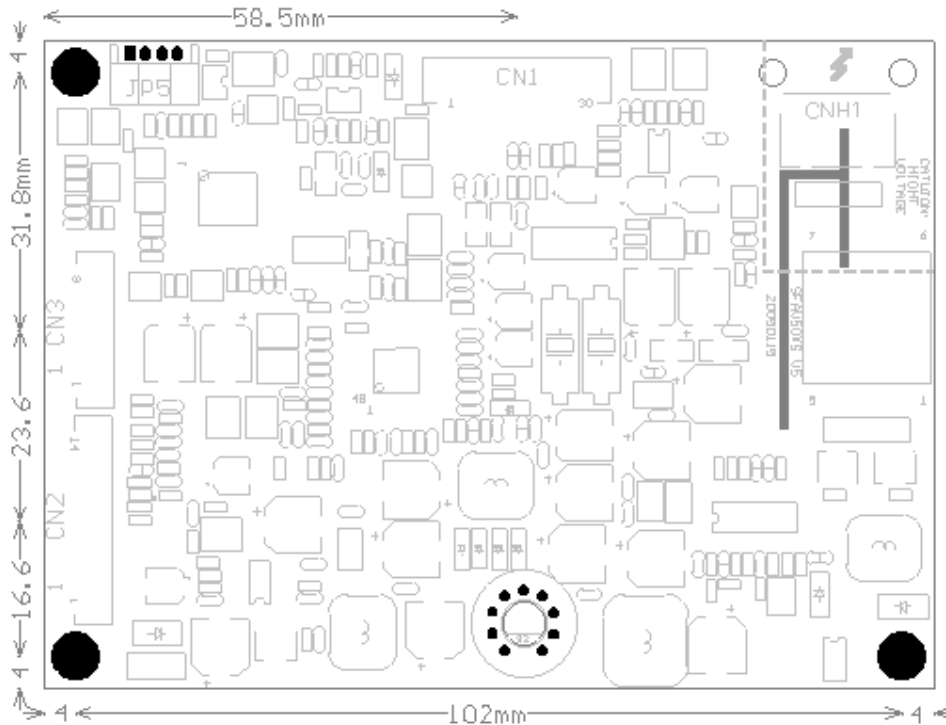
- 1) Support video signal input
- 2) support Bright、 Contrast 、 Color and Tint adjustable
- 3) Composite Sync input and could switch to RGB input
- 4) Support OSD input mode (RGB input and HSY/VSY output)

If need support S-video input, the followed operation is needed:

- 1) Open R59 (1K ohm resistor)
- 2) Solder RB1 (75ohm resistor)
- 3) Solder C64 (0.1uF capacitor)
- 4) Open RB2 (0ohm resistor)

If the analog video signal is RGB, the composite synchronization signal is needed.

Outline Dimension



Description:

Outline: 110.0*80.0*10.1mm

Top Layer High (Max): 8.5mm

Board thickness: 1.6mm

6 Screws: M3.0

Weight: 0.05kg