

PART NAME: KNOB

SCALE: 1:1

DATE: 3/31/75

DR. BY NH

DAVIES MOLDING COMPANY

P/N 2310

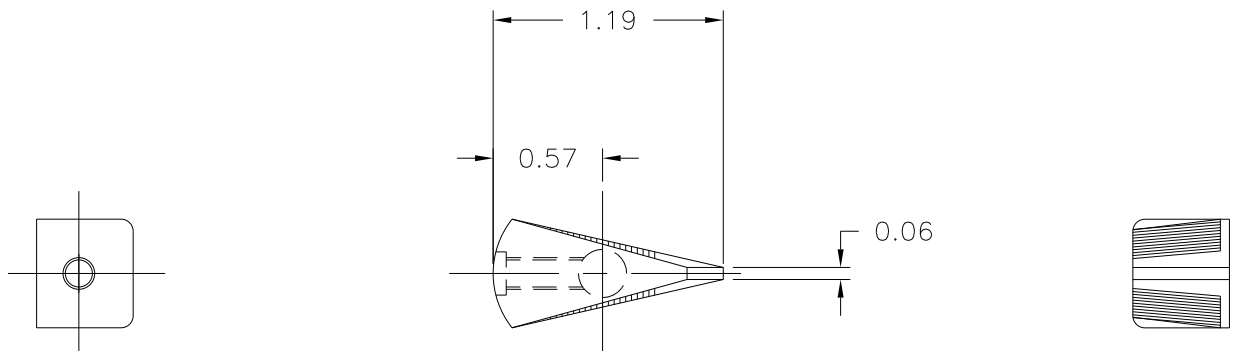
THIS DRAWING IS THE PROPERTY OF DAVIES MOLDING COMPANY, IS SUBMITTED SOLELY AS A DESIGN OR ENGINEERING PROJECT. WE ACCEPT NO RESPONSIBILITY WHATSOEVER FOR THE PRACTICAL APPLICATION OF THE PIECES MADE TO THIS DESIGN.

CAROL STREAM, ILLINOIS 60188

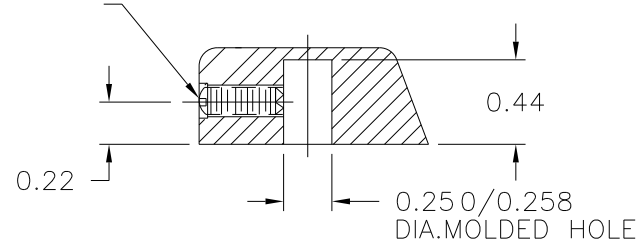
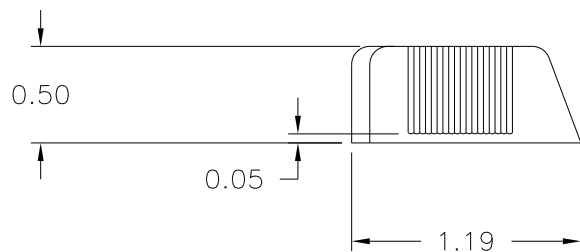
BASE PART 2310-01

CAD/REDRAWN : 5/21/94 : HD

SET SCREW I0022



C'SK (.177 DIA) X .06 DEEP  
 DRILL # 29(.136 DIA),  
 #8-32 TAP.  
 # 8-32 THD'D. X 7/16 LG. CUP POINTED,  
 SLOTTED TYPE, SET SCREW I0022,



MATERIAL: G.P. PHENOLIC (B11)  
 COLOR: BLACK

TOLERANCES: UNLESS OTHERWISE SPECIFIED	DO NOT SCALE DRAWING			
DECIMALS: X.XXX ± .005 X.XX ± .015	MM: X.XX ± 0.15MM X.X ± 0.4MM	-	UPDATED TOOLBOX	JAM 10/31/02
FRACTIONS ± 1/64	ANG. ± 1°	CHANGES		