

**PLEASE CHECK WWW.MOLEX.COM FOR LATEST PART INFORMATION**

**Part Number:** [5011892010](#)  
**Status:** **Active**  
**Overview:** [picoclap](#)  
**Description:** 1.00mm (.039") Pitch Pico-Clasp™ Wire-to-Board Receptacle Housing, Dual Row, 20 Circuits

**Documents:**

[3D Model](#) [Product Specification PS-501571-001 \(PDF\)](#)  
[Drawing \(PDF\)](#) [RoHS Certificate of Compliance \(PDF\)](#)  
[Product Specification PS-501190-001 \(PDF\)](#)

**General**

Product Family Crimp Housings  
 Series [501189](#)  
 Overview [picoclap](#)  
 Product Name Pico-Clasp™

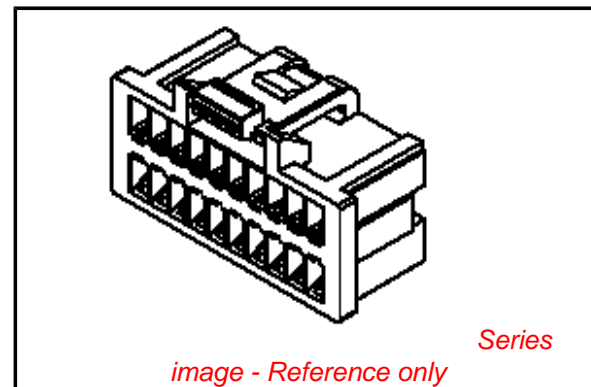
**Physical**

Breakaway No  
 Circuits (maximum) 20  
 Color - Resin White  
 Gender Receptacle  
 Glow-Wire Compliant No  
 Lock to Mating Part Yes  
 Material - Resin Nylon  
 Number of Rows 2  
 Packaging Type Bag  
 Panel Mount No  
 Pitch - Mating Interface (in) 0.039 In  
 Pitch - Mating Interface (mm) 1.00 mm  
 Polarized to Mating Part Yes  
 Stackable No  
 Temperature Range - Operating -40°C to +85°C

**Material Info**

**Reference - Drawing Numbers**

Packaging Specification SPK-501189-001  
 Product Specification PS-501190-001, PS-501571-001, RPS-501190-001, RPS-501331-001, RPS-501571-006, RPS-501571-007, RPS-501571-008  
 Sales Drawing SD-501189-002



**EU RoHS**

**ELV and RoHS Compliant**  
**REACH SVHC**  
 Not Reviewed  
**Halogen-Free Status**  
 Not Reviewed

**China RoHS**



**Need more information on product environmental compliance?**

Email [productcompliance@molex.com](mailto:productcompliance@molex.com)  
 For a multiple part number RoHS Certificate of Compliance, [click here](#)

Please visit the [Contact Us](#) section for any non-product compliance questions.

**Search Parts in this Series**

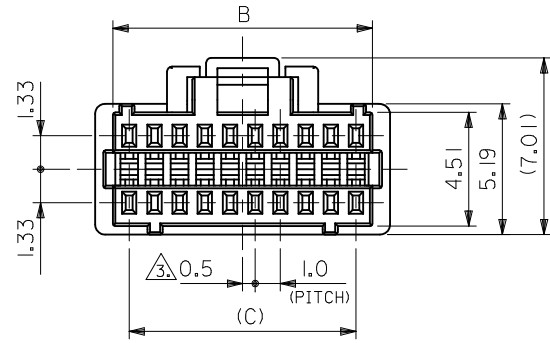
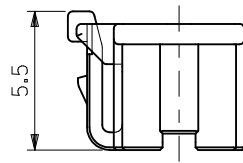
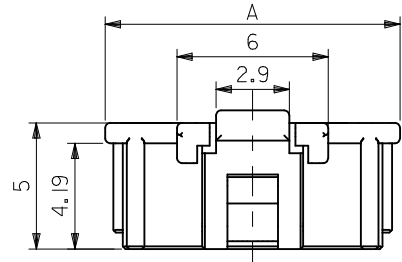
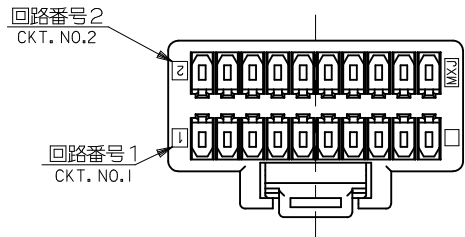
[501189Series](#)

**Mates With**

[501190](#) PCB Header Vertical . [501571](#) PCB Header Right Angle

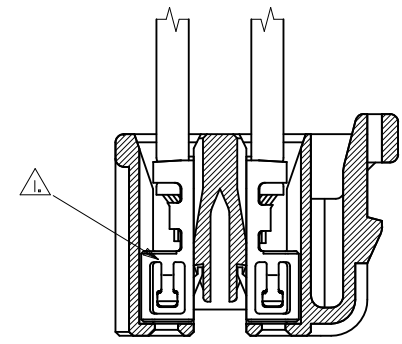
**Use With**

[501193](#) Crimp Terminal



NOTES.

- 1. 適合ターミナル：501193-\*\*\*\*  
APPLICABLE TERMINAL：501193-\*\*\*\*
- 2. 嵌合相手：501190-\*\*1\* , 501571-\*\*\*\*  
MATE WITH：501190-\*\*1\* , 501571-\*\*\*\*
- 3. 極数/2=偶数に適用。  
APPLY FOR CIRCUIT SIZE/2=EVEN



ターミナル装着図  
TERMINAL ASSEMBLY DRAWING

|    |      |      |              |      |
|----|------|------|--------------|------|
| 24 | 25.3 | 26.7 | 501189-5010  | 50   |
| 19 | 20.3 | 21.7 | 501189-4010  | 40   |
| 14 | 15.3 | 16.7 | 501189-3010  | 30   |
| 9  | 10.3 | 11.7 | 501189-2010  | 20   |
| C  | B    | A    | MATERIAL NO. | CKT. |

MATERIAL  
66NYLON UL94V-0  
COLOR:WHITE  
GLASS FILLED:0%

REVISED  
EC NO.: J2010-2217  
DRWN:THANYU 2010/05/12  
CHKD:KASAKAWA 2010/05/13  
APPR:NUKITA 2010/05/14

GENERAL TOLERANCES (UNLESS SPECIFIED)

|                  |       |
|------------------|-------|
| 10 UNDER         | ±0.2  |
| 10 OVER 30 UNDER | ±0.25 |
| 30 OVER          | ±0.3  |
| ANGULAR          | ±3 °  |

DRAFT WHERE APPLICABLE  
MUST REMAIN  
WITHIN DIMENSIONS

DIMENSION STYLE  
MM ONLY

|              |            |
|--------------|------------|
| DRAWN BY     | DATE       |
| NYOSHIDA     | 2004/12/17 |
| CHECKED BY   | DATE       |
| MYAGI        | 2004/12/17 |
| APPROVED BY  | DATE       |
| ANODA        | 2004/12/17 |
| MATERIAL NO. |            |
| SEE CHART    |            |
| SIZE         | A3         |

SCALE 5:1  
DESIGN UNITS METRIC  
THIRD ANGLE PROJECTION

TITLE  
1.0 WIRE TO BOARD CONN.  
2-ROW RECEPTACLE HOUSING

MOLEX INCORPORATED  
DOCUMENT NO. SD-501189-002  
SHEET NO. 1 OF 1

THIS DRAWING CONTAINS INFORMATION THAT IS PROPRIETARY TO MOLEX INCORPORATED AND SHOULD NOT BE USED WITHOUT WRITTEN PERMISSION