

# MAAM37000

## Low Noise GaAs MMIC Amplifier 3.5 - 7.0 GHz

Rev. V7

### Features

- Noise Figure: 1.8 dB Typical
- Gain: 17 dB Typical
- Single Bias Supply
- DC Decoupled RF Input and Output

### Description

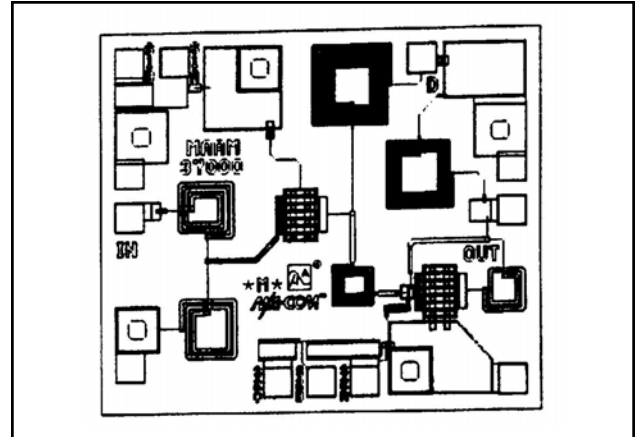
The MAAM37000 die is a wide-band, low noise, MMIC amplifier. It includes two integrated gain stages and employs series inductive feedback to obtain excellent noise figure and a good 50  $\Omega$ , input and output impedance match over the entire frequency band. The MAAM37000 operates from a single +4 V supply.

The MAAM37000 performs well as a low noise amplifier in receive applications and as a driver or buffer amplifier where high gain, excellent linearity and low power consumption are important. Because of its wide bandwidth, the MAAM37000 can be used in numerous commercial and government system applications, such as TVRO, VSAT, missile guidance, and radar. The MAAM37000 is manufactured in-house using a reliable, 0.5-micron, GaAs MESFET process. This product is 100% RF tested to ensure compliance to performance specifications.

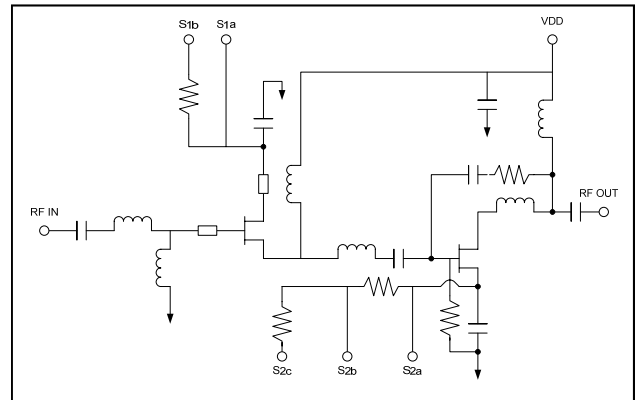
### Ordering Information

Part Number	Package
MAAM37000	DIE

### Die



### Schematic



### Absolute Maximum Ratings <sup>1</sup>

Parameter	Absolute Maximum
Voltage	+7 V
Input Power	+20 dBm
Operating Temperature	-55°C to +125°C
Storage Temperature	-65°C to +150°C

1. Exceeding any one or combination of these limits may cause permanent damage to this device.

## Low Noise GaAs MMIC Amplifier 3.5 - 7.0 GHz

Rev. V7

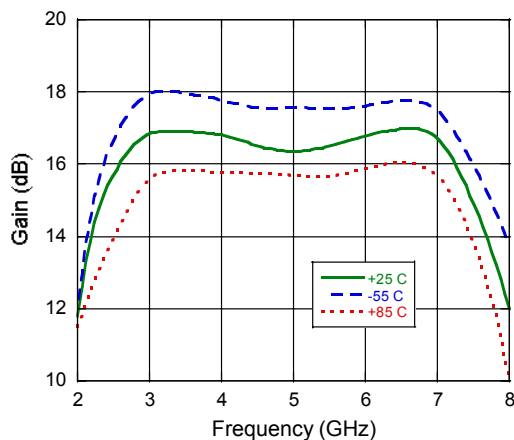
**Electrical Specifications:  $T_A = 25^\circ\text{C}$ ,  $Z_0 = 50 \Omega$ ,  $V_{DD} = +4 \text{ VDC}$ ,  $I_{DD} = 75 \text{ mA Typ, } 100 \text{ mA}$**

Parameter	Units	Min	Typ.	Max
Gain <sup>2</sup>	dB	15.0	17.0	—
Gain Flatness	dB		$\pm 0.8$	
Noise Figure <sup>2</sup>	dB	—	1.8	2.8
Input VSWR	Ratio	—	1.5:1	—
Output VSWR	Ratio	—	1.5:1	—
Output Power at 1 dB Gain Compression	dBm	—	14	—
Third Order Intercept	dBm	—	24	—
Reverse Isolation	dB	—	35	—
Rth	$^\circ\text{C/W}$	—	85	—

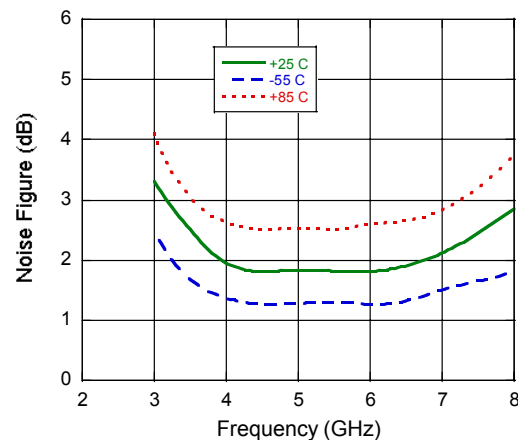
2. 100% on-wafer tested.

### Typical Performance Curves

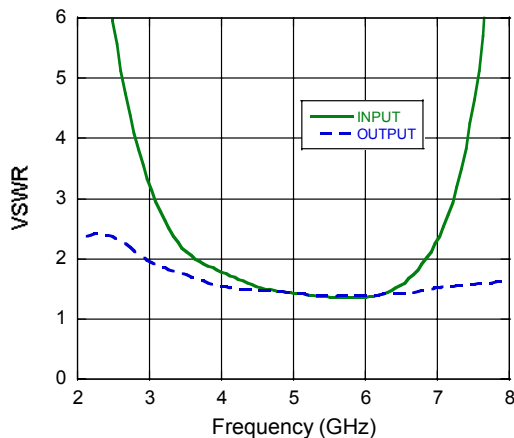
#### Gain



#### Noise Figure



#### VSWR



2

**ADVANCED:** Data Sheets contain information regarding a product M/A-COM Technology Solutions is considering for development. Performance is based on target specifications, simulated results, and/or prototype measurements. Commitment to develop is not guaranteed.

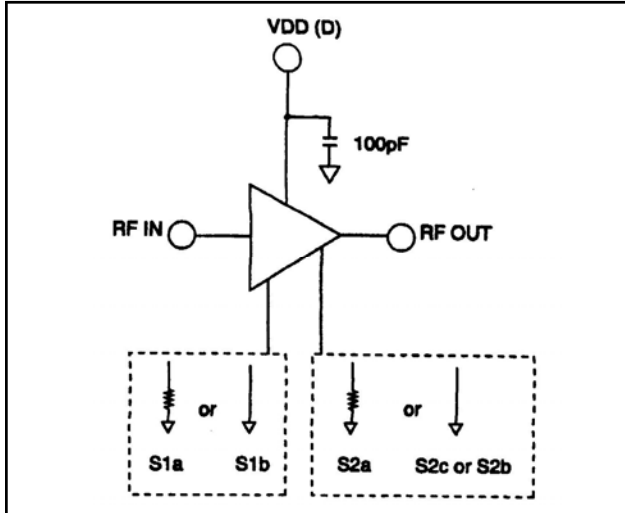
**PRELIMINARY:** Data Sheets contain information regarding a product M/A-COM Technology Solutions has under development. Performance is based on engineering tests. Specifications are typical. Mechanical outline has been fixed. Engineering samples and/or test data may be available. Commitment to produce in volume is not guaranteed.

• **North America** Tel: 800.366.2266 • **Europe** Tel: +353.21.244.6400  
 • **India** Tel: +91.80.43537383 • **China** Tel: +86.21.2407.1588

Visit [www.macontech.com](http://www.macontech.com) for additional data sheets and product information.

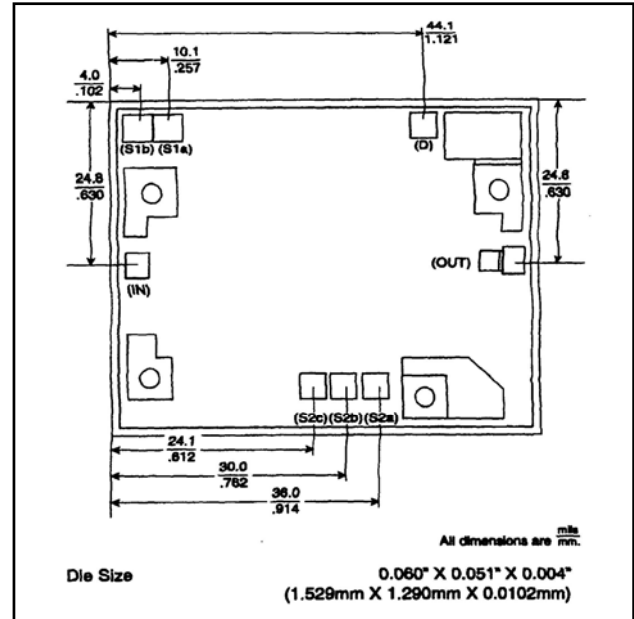
M/A-COM Technology Solutions Inc. and its affiliates reserve the right to make changes to the product(s) or information contained herein without notice.

## Typical Bias Configuration <sup>3,4,5</sup>



3. Nominal bias is obtained with on-chip resistors by grounding pads S1b and S2b.
4. Ground pads S1b and S2c for lower second state current.
5. Optional biasing can be obtained with off-chip resistors bonded from pads S1a and S2a to ground. Adjusting the bias can customize the performance to suit special requirements.

## Outline Drawing



## Handling Procedures

Permanent damage to the MAAM37000 may occur if the following precautions are not adhered to:

- A. Cleanliness - The MAAM37000 should be handled in a clean environment. DO NOT attempt to clean assembly after the MAAM37000 is installed.
- B. Static Sensitivity - All die handling equipment and personnel should comply with DOD-STD-1686 Class I.
- C. Transients - Avoid instrument and power supply transients while bias is connected to the MAAM37000. Use shielded signal and bias cables to minimize inductive pick-up.
- D. General Handling - DO NOT touch the surface of the die. It is recommended that the MAAM37000 die be handled along the long side with a sharp pair of tweezers.

## Mounting

The MAAM37000 is back-metallized with Pd/Ni/Au (100/1, 000/30,000Å) metallization. It can be die-mounted using Au/Sn eutectic preforms or a thermally and electrically conductive epoxy. The attachment surface should be clean and flat.

### Eutectic Die Attach:

- A. An 80/20 Au/Sn preform is recommended with a work surface temperature of approximately 255°C and a tool temperature of 265°C. When hot 95/5 nitrogen/hydrogen gas is applied, solder temperature should be approximately 290°C.
- B. DO NOT expose the MAAM37000 to a temperature greater than 320°C for more than 20 seconds. No more than 3 seconds of scrubbing should be required for attachment.

### Epoxy Die Attach:

- A. Electrically conductive epoxy is required.
- B. Apply a minimum amount of epoxy and place the MAAM37000 into position. A thin epoxy fillet should be visible around the perimeter of the die.
- C. Cure epoxy per manufacturer's recommended schedule.

## Bonding

- A. Ball or wedge bond with 1.0 mil diameter gold wire of 3.0 mil x 0.5 mil ribbon. Thermosonic bonding with a nominal stage temperature of 150°C and a ball bonding force of 40 to 50 grams or wedge bonding force of 18 to 22 grams is recommended. Ultrasonic energy and time should be adjusted to the minimum levels necessary to achieve reliable bonds.
- B. Bonds should be started on the die and terminated on the package.
- C. Bonding pads are 4.0 x 4.0 mils minimum.