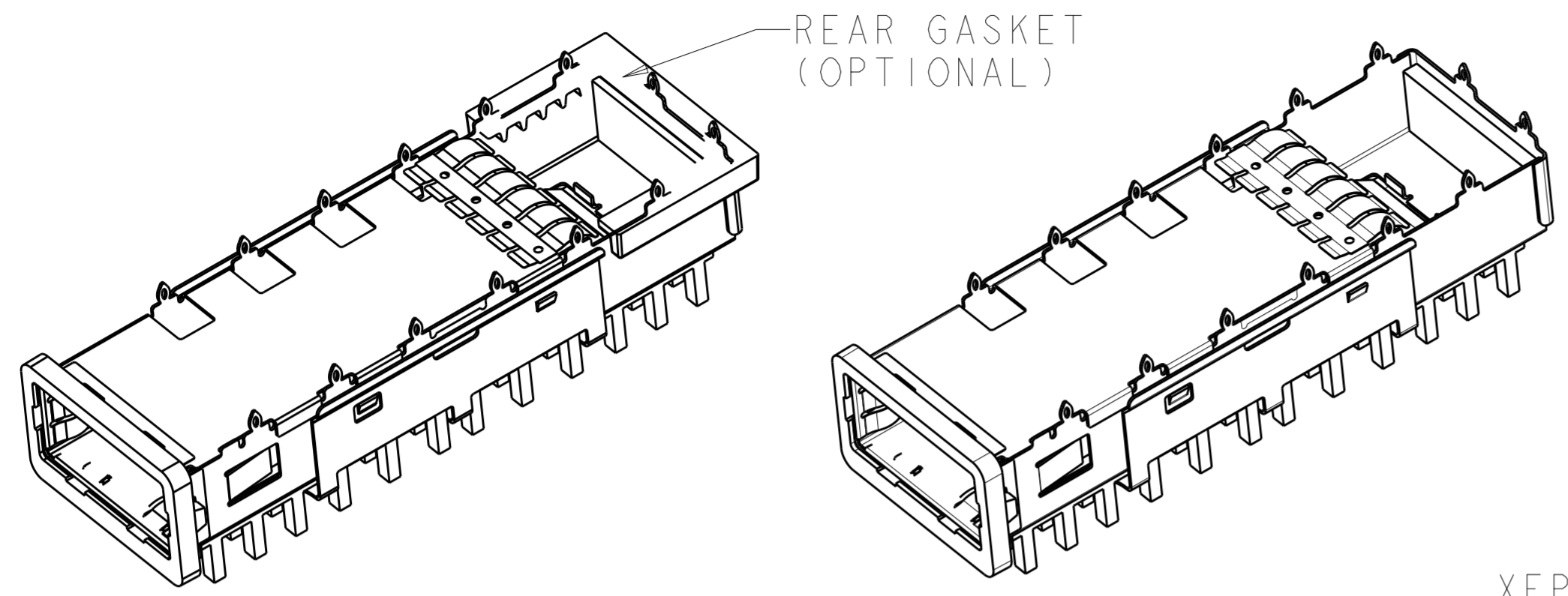


THIS DRAWING IS UNPUBLISHED. RELEASED FOR PUBLICATION 20  
 © COPYRIGHT 20 BY - ALL RIGHTS RESERVED.

LOC	DIST	REVISIONS					
GP	00	P	LTR	DESCRIPTION	DATE	DWN	APVD
		C1		REVISED PER ECO-11-012169	15JUN2011	KS	MQ.W
		C2		REV PER ECR-11-021282	19OCT2011	DZ	MQ.W
		D		REVISED PER ECO-12-016753	27SEP2012	JY	AC
		D1		REVISED PER ECO-16-004629	25MAR2016	PP	SH

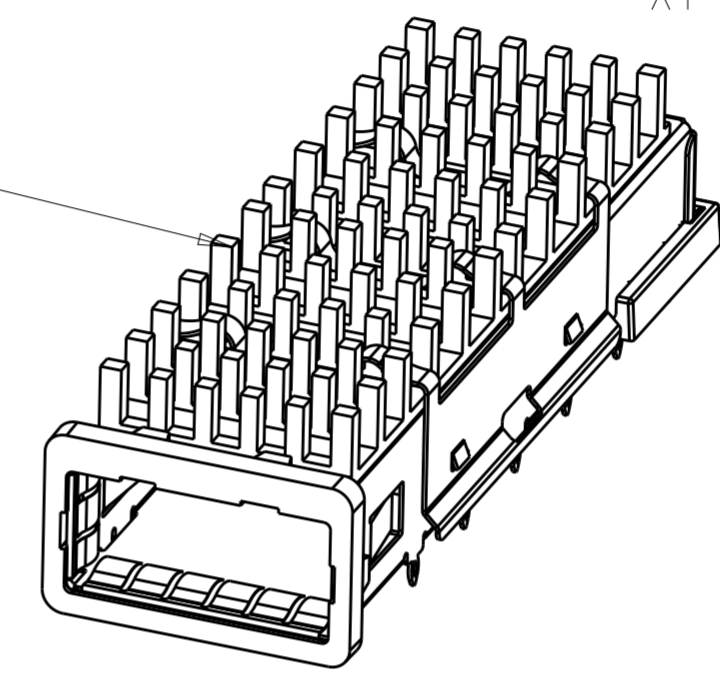


1888116-1/2/3/4  
SCALE 2:1

1888116-5  
SCALE 2:1

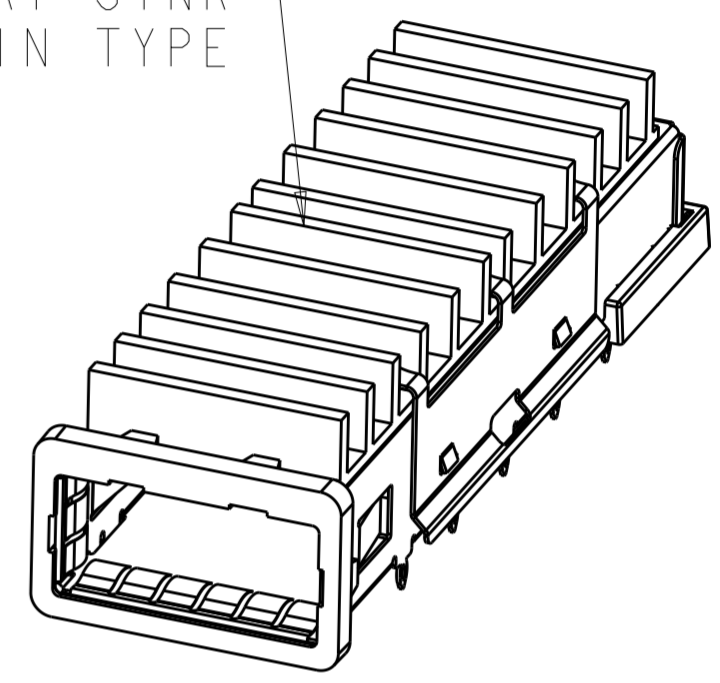
1. MATES WITH XFP MSA COMPLIANT TRANSCEIVERS.
2. SEE COMPONENT DRAWINGS FOR COMPONENT DIMENSIONS AND INFORMATION.

XFP HEAT SINK  
PIN TYPE

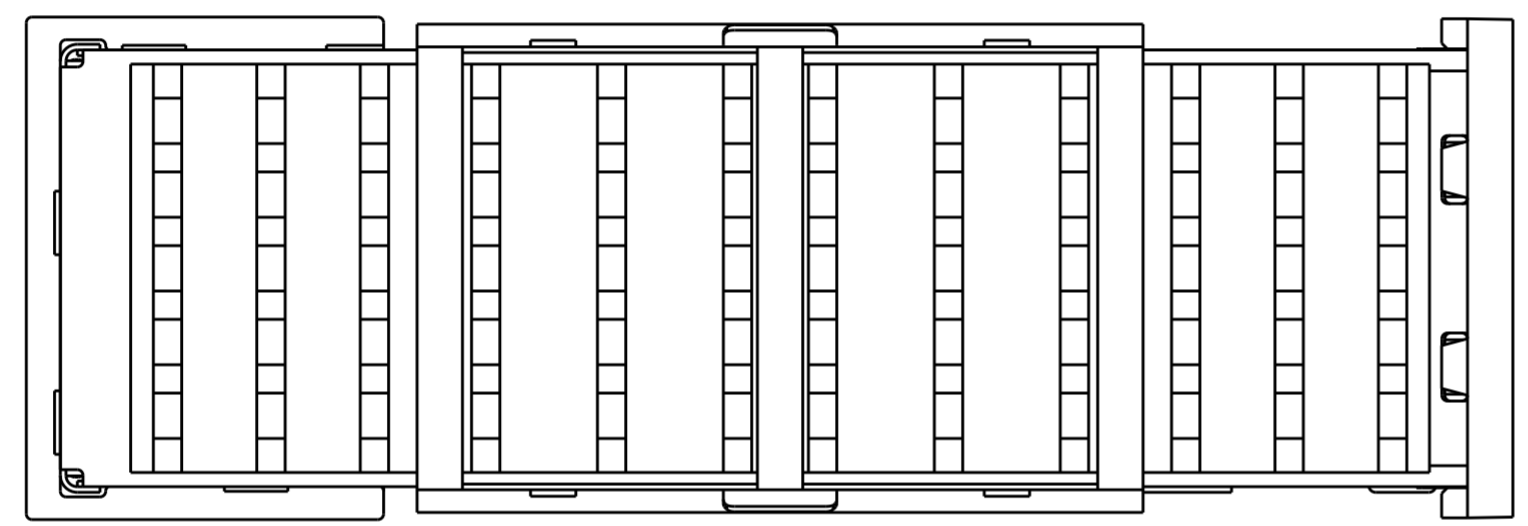


1888116-1, -2, -5  
SCALE 2:1

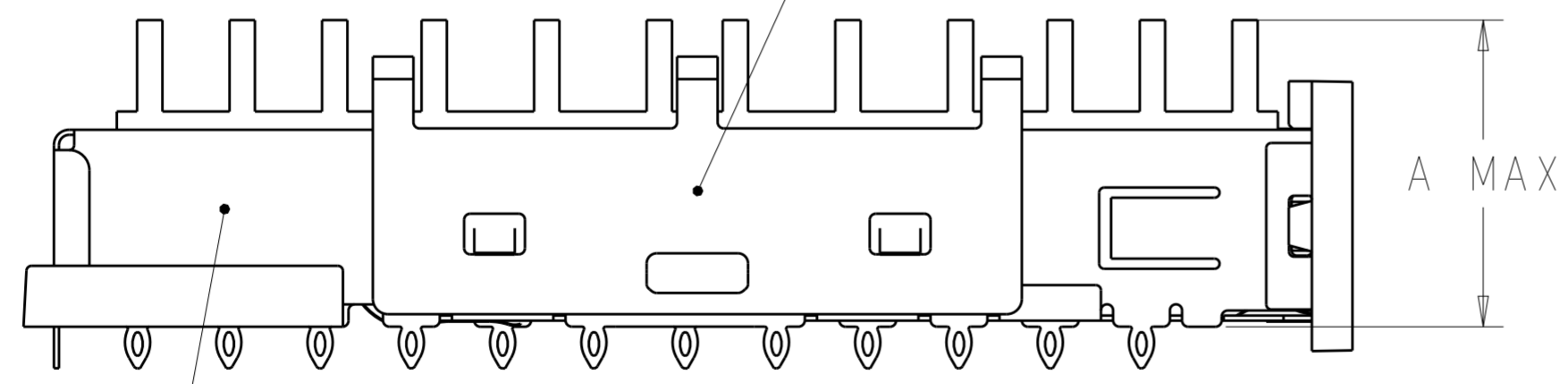
XFP HEAT SINK  
FIN TYPE



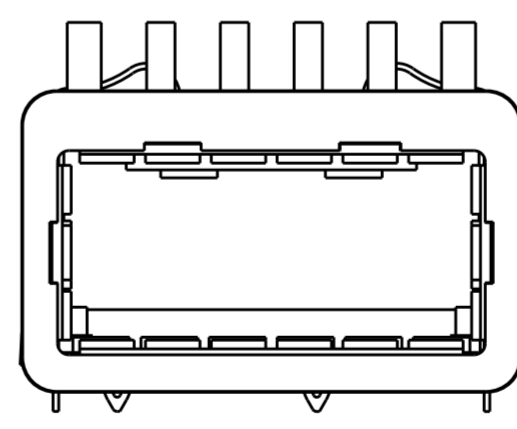
1888116-3, -4  
SCALE 2:1



XFP HEAT SINK CLIP



XFP CAGE ASSEMBLY



REAR GASKET	A MAX	APPLICATION	PART NUMBER
W/O	15.8	SAN	1888116-5
W/	13.6	PCI	1888116-4
W/	15.8	SAN	1888116-3
W/	13.6	PCI	1888116-2
W/	15.8	SAN	1888116-1

THIS DRAWING IS A CONTROLLED DOCUMENT.

DWN	J. GERACE	28NOV05	TE Connectivity								
CHK	J. KOPPENHEFFER	28NOV05									
APVD	M. WALMSLEY	28NOV05									
PRODUCT SPEC	108-2127										
APPLICATION SPEC	114-13096		NAME	XFP KIT ASSEMBLY							
MATERIAL			SIZE	CAGE CODE	DRAWING NO	RESTRICTED TO					
			A200779	C-1888116							
			CUSTOMER DRAWING	SCALE	4	SHEET	1	OF	1	REV	D1