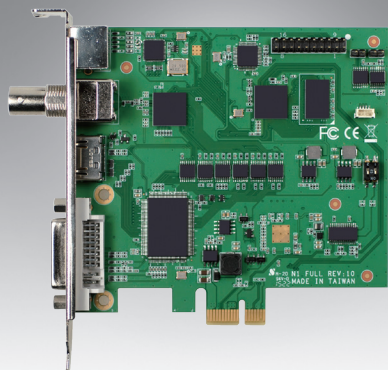


DVP-7011HE

1-ch Full HD H.264/MPEG4 PCIe Video Capture Card with SDK

NEW



Features

- 1-channel HD-SDI/HDMI/DVI-D/DVI-A/YpPr video input with H.264/MPEG4 software compression
- 60/50 fps (NTSC/PAL) at up to 1920 x 1080p resolution for recording and display
- PCIe x 1 host interface
- Supports Watchdog function
- Windows/Linux OS supported



Introduction

DVP-7011HE is a PCIe-bus, software compression video capture card with 1 channel of either HD-SDI, HDMI, DVI-D, DVI-A, or YPbPr video and 1 audio input. DVP-7011HE supports H.264/MPEG4 compression format at up to Full HD 1080p for each channel. With an easy-to-use software development kit (SDK) and flexibility to stack multiple cards, DVP-7011HE is an ideal solution for various video capture applications or video surveillance.

Specifications

Video	Video Standard	HD-SDI
	Video Input	1 x HD-SDI/HDMI/DVI-D/DVI-A/YpPr
	Compression	S/W H.264 / MPEG4
	Max. Display Rate	60/50 fps (NTSC/PAL) @ 1920 x 1080p
	Max. Recording Rate	60/50 fps (NTSC/PAL) @ 1920 x 1080p
Audio	Audio Input	1 x SDI, 1 x HDMI, 2 x RCA
	Format	STEREO/16 bits/32000 ~ 48000 Hz
System Requirements	CPU (Display)	Intel Core 2 Duo E2200 2.2 GHz
	CPU (Recording)*	Intel Core 2 Quad Q9400 2.6GHz
	Memory	2 GB
	VGA	1024 x 768, DirectX 9.0c
	Operating System	Windows XP/XPe/Vista/7; Linux 2.6.14 or higher; 32/64 bits
Physical Characteristics	Host Interface	PCIe x 1
	Operating Temperature	-20 ~ 70 °C (-4 ~ 158 °F)
	Storing Temperature	-40 ~ 85 °C (-40 ~ 185 °F)
	Dimensions	107 x 101 mm
	Safety	CE/FCC

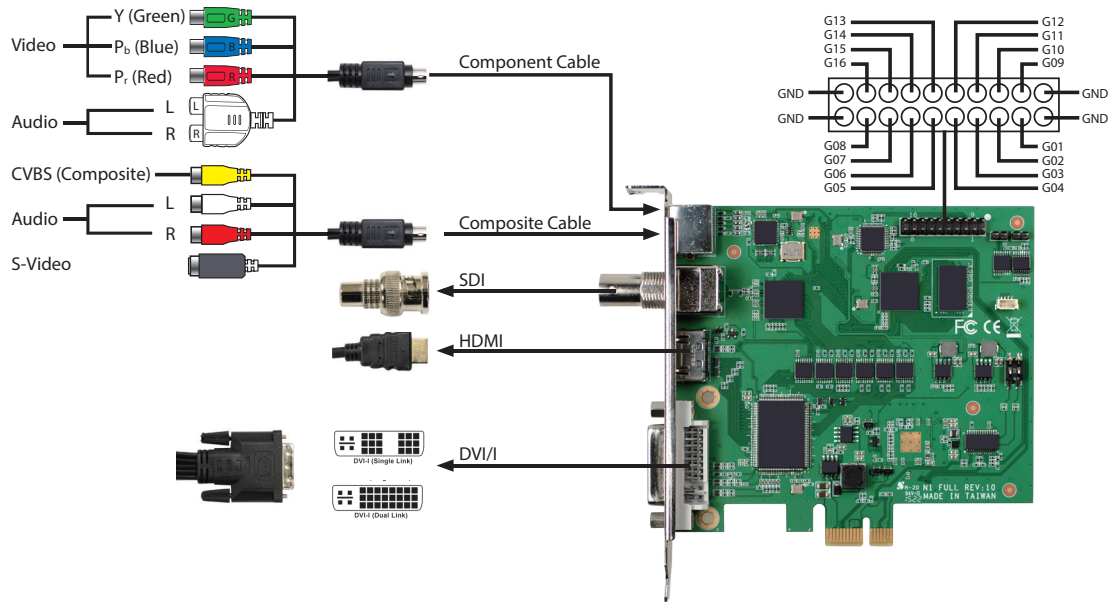
*For high quality full HD video recording at max. recording rate, Intel Sandy Bridge processor or above and Win7 OS are recommended

Versatile SDK Support (For Windows Only)

Advantech provides software development kit (SDK), a set of development tools that allows a software engineer to integrate video capture modules into different types of system. Functions include video recording, playback and instant preview.

- Software Library
- SDK Manual
- Sample Program

Connection Diagram



Ordering Information

Part Number	Description
DVP-7011HE	1-ch Full HD H.264/MPEG4 PCIe Video Capture Card with SDK

Packing List

Item	Amount
DVP-7011HE Capture Card	1 (piece)
Audio (RCA) / Video (YPbPr) cable	1 (piece)