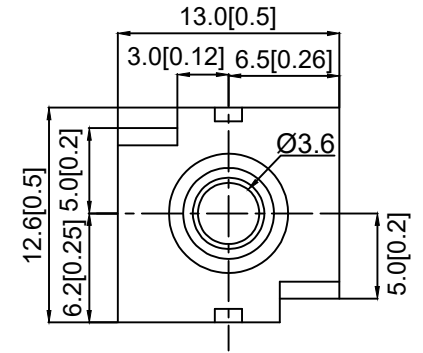
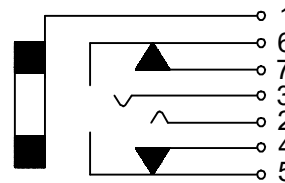
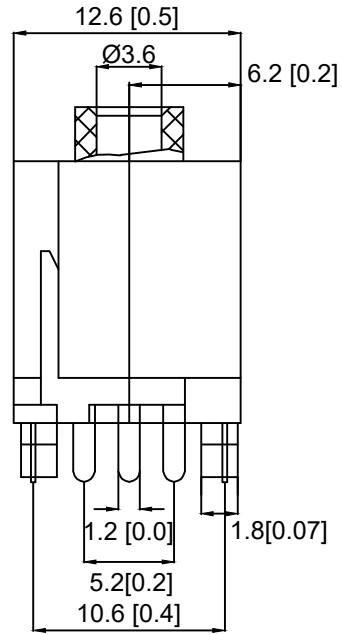
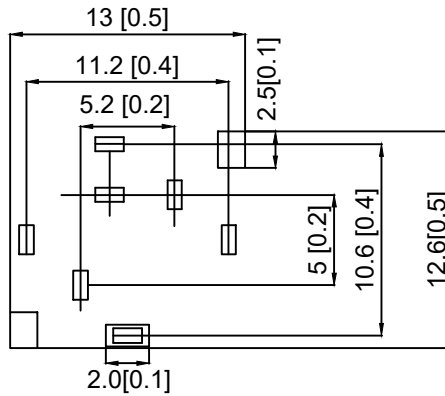
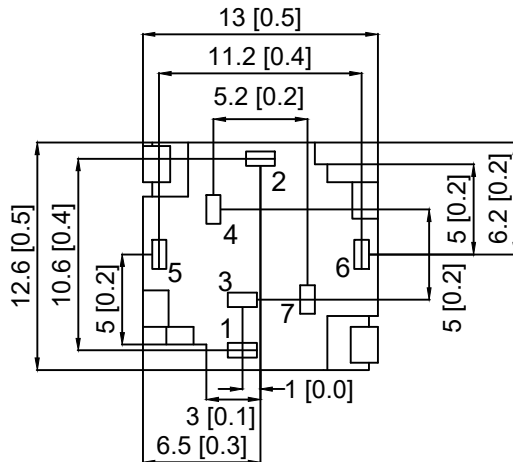


PJ-3440-1

A ↑
A向



PJ-3440-2
copper sleeve



PCB LAYOUT

	MATERIAL	PLATING
terminal 1	Phosphor Bronze	tin
terminal 2	Phosphor Bronze	tin
terminal 3	Phosphor Bronze	tin
terminal 4	Brass	tin
terminal 5	Phosphor Bronze	tin
terminal 6	Phosphor Bronze	tin
terminal 7	Brass	tin
plastic	Pbt	

					ANGLAR	±5°	DSND		DATE		SCALE: N/A	MODEL TYPE: 3.5 PHONE JACK		
ΔX					X.X	±0.2mm	DWN		DATE		VIEW:	PART NO.:		
ΔX					X.XX	±0.1mm	CHKD		DATE		UNIT: mm/in			
ΔX					X.XXX	±0.05mm	APPD		DATE		SIZE: A4	DWG NO.: PJ-3440-X		
MARK	DESCRIPTION	DATE	REVISED	APPROVED	UNSPECIFIED TOLERANCES			XKB INDUSTRIAL PRECISION CO., LIMITED				WEIGHT 1.0g	SHEET 1/1	REVISION A0