

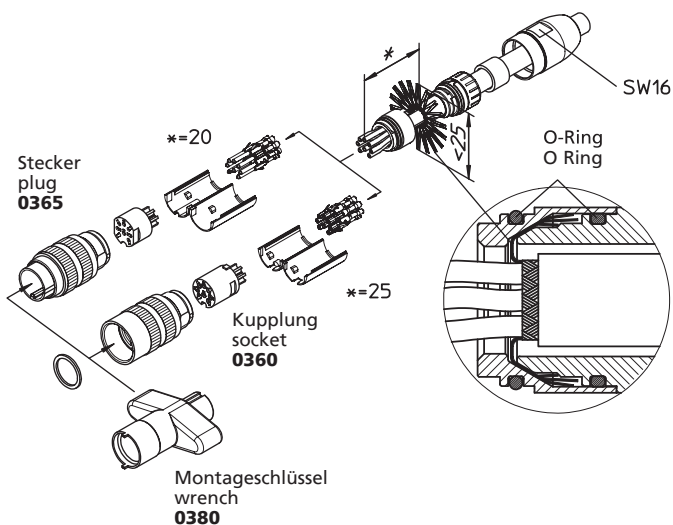
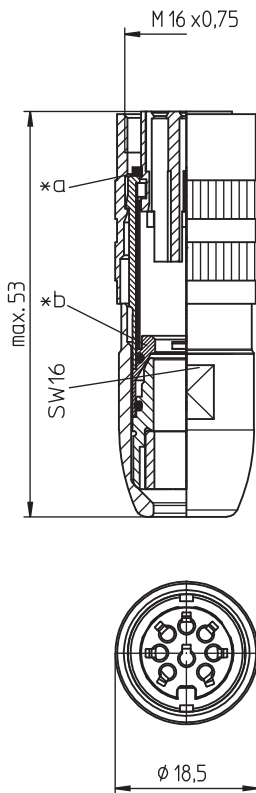
03 0360

Circular connectors with threaded joint M16 acc. to IEC 61076-2-106, IP40/IP67/IP68



Socket acc. to AISG specification and IEC 61076-2-106, IP 68, with threaded joint, empty housing for reception of crimp contacts, shielded at 360°

03 0360



### Environmental conditions

Temperature range -40 °C/+85 °C

### Materials

Insulating body	PA GF, V-0 according to UL94
Housing	CuZn, nickel-plated
Knurled screw	CuZn, nickel-plated
Seal	NBR

### Mechanical data

Insertion force/contact	≤ 50 N <sup>1</sup>
Withdrawal force/contact	≥ 35 N <sup>1</sup>
Protection class	IP68 <sup>2</sup>

<sup>1</sup> measured with a proper counterpart

<sup>2</sup> according to IEC DIN EN 60529, only in locked condition with an appropriate counterpart; IPX8 requirements under agreement between manufacturer and user

### Connectable conductors for crimp area

Cable diameter 4–8 mm

### Electrical data (at T<sub>amb</sub> 20 °C)

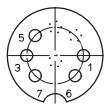
Rated current	5 A (T <sub>amb</sub> 40 °C)
Rated voltage	250 V
Rated impulse voltage	500 V
Material group	II (CTI 550)
Overvoltage category	I
Creepage distance	2,5 mm/2,0 mm
Clearance	2,5 mm/2,0 mm
Insulation resistance	> 100 MΩ
Further data	see suitable crimp contact

### Associated products

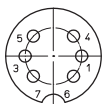
Counterparts		
☞ 0314	☞ 0314-1	☞ 0314-2
☞ 0315	☞ 0315-1	☞ 0315-1 U
☞ 0315-2	☞ 0316	☞ 0316-1
☞ 0316-2	☞ 0317	☞ 0317-1
☞ 0317-2	☞ 031798-1	☞ 031798-2
☞ 031799-2	☞ 0318	☞ 0318-1
☞ 0318-2	☞ 0331	☞ 0332
☞ 0332-1	☞ 033200	☞ 0365

03

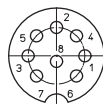
0360



**\*c**  
0360 05-3



0360 06-1



**08-a**  
0360 08-1

☞ 036500

Accessories

☞ 0322 C 16

☞ 038199

☞ 0364 V109

☞ 038799

☞ 0381

\*a flat gasket

\*b shielding

\*c pin configuration according to AISG C485

03

0360

Designation	Pole Number	PU (Pieces)	MDQ (Pieces)
0360 05-3	5	50	100
0360 06-1	6	50	100
0360 08-1	8	50	100

**Packaging:**

individual parts in bulk, sorted in plastic bags, in a cardboard box