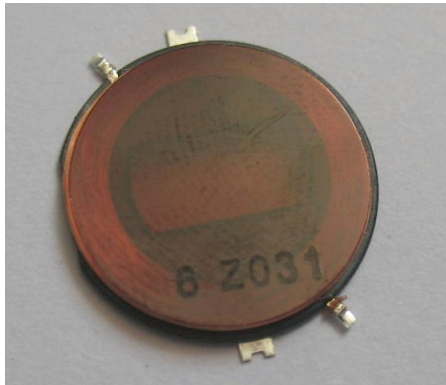
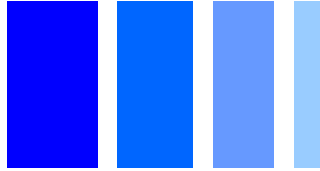


LF Receiver Antenna CAK15D14



Description

- LF receiver antenna for Z axis.
- Low profile.
- High Sensitivity and Reliability.
- D × H: $\Phi 15.0 \times 1.65$ mm Max.
- Product weight: 0.46g Ref..
- RoHS compliance.

Environmental Data

- Operating temperature range: $-40^{\circ}\text{C} \sim +85^{\circ}\text{C}$
- Storage temperature range: $-40^{\circ}\text{C} \sim +85^{\circ}\text{C}$

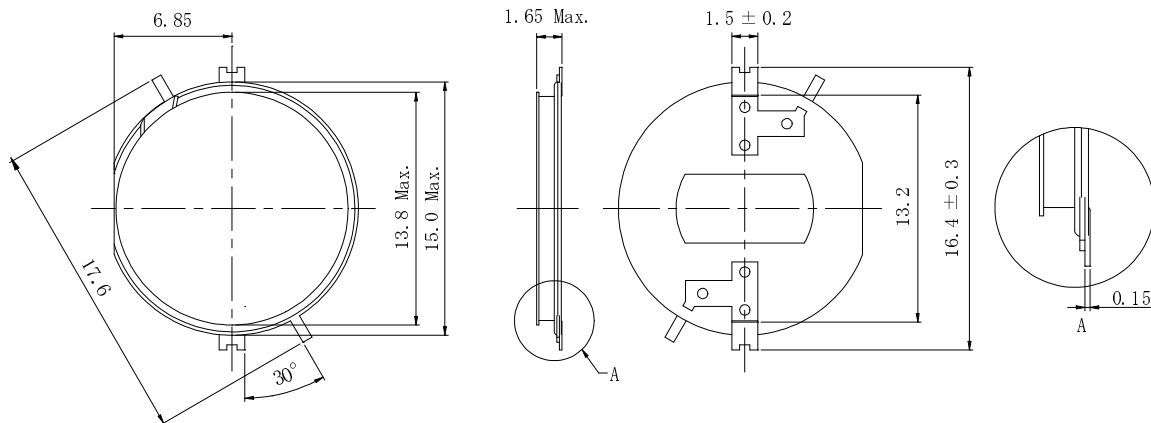
Packaging

- Carrier Tape and Reel.
- Tape specification according to EIA481.
- 1000pcs/reel.

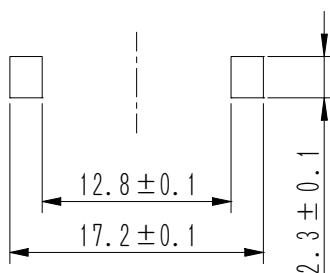
Applications

- PEPS, Smart key system.
- Security system.

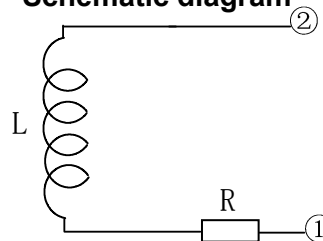
Dimension - [mm]



Suggest PCB layout - [mm]



Schematic diagram



L: Ferrite core coil inductance.
R: Copper resistance.

LF Receiver Antenna CAK15D14



Electrical Characteristics

Part No.	Inductance	Unload Q	SRF	Measuring conditions
CAK15D14-232	2.3mH \pm 5%	14 Typ.	Min. 1700kHz	125kHz, 1V
CAK15D14-62	6.0mH \pm 5%	13 Typ.	Min. 500kHz	125kHz, 1V

* It is possible for different inductance value.

For more information, please browse our website <http://www.sumida.com>

Hong Kong

Tel. +852-2880-6688
FAX. +852-2565-9600

Tokyo

Tel. +81-3-5202-7112
FAX. +81-3-5202-7105

Chicago

Tel. +1-847-545-6700
FAX. +1-847-545-6720

Shanghai

Tel. +86-021-5836-3299
FAX. +86-021-5836-3266

Seoul

Tel. +82-2-6237-0777
FAX. +82-2-6237-0778

Oberzell

Tel. +49-8591-937-0
FAX. +49-8591-937-103

Shenzhen

Tel. +86-755-8291-0228
FAX. +86-755-8291-0338

Singapore

Tel. +65-6296-3388
FAX. +65-6296-3390

Neumarkt

Tel. +49-9181-4509-110
FAX. +49-9181-4509-310

Taipei

Tel. +886-2-8751-2737
FAX. +886-2-8751-2738

San Jose

Tel. +1-408-321-9660
FAX. +1-408-321-9308