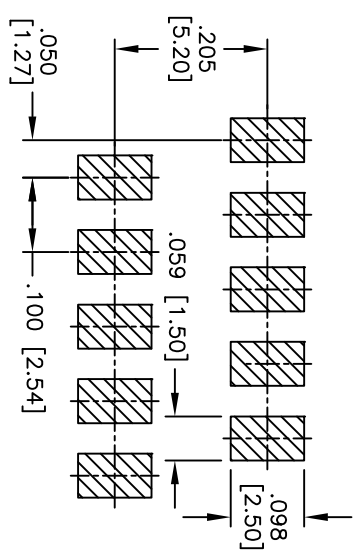
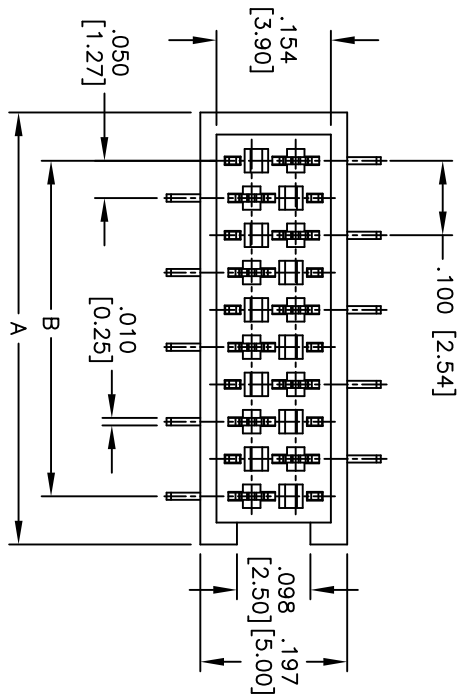
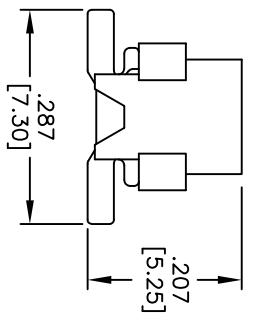
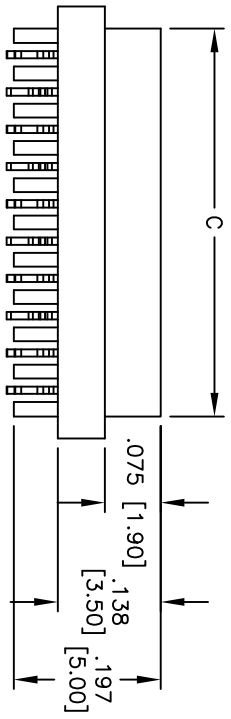


Rev	AWO #	Description	Date	Appr
-		RELEASED	10/19/09	

APPROVED: \_\_\_\_\_  
 DATE: \_\_\_\_\_ TITLE: \_\_\_\_\_



RECOMMENDED PCB LAYOUT



**SPECIFICATIONS:**

Material: Insulator: Hi-temp thermoplastic, rated UL 94V-0  
 Insulator color: Black  
 Contacts: Phosphor Bronze  
 Plating: Tin over Copper underplate overall  
 Electrical: Current rating: 1A AC/DC  
 Contact resistance: 20 mohms max.  
 Insulation resistance: 1,000 Mohms min.  
 Dielectric withstanding: 500V AC for 1 minute  
 Temperature Rating: Operating temperature: -40°C to +105°C  
 Environmental: Lead free, RoHS compliant  
 Recommended soldering temp: 260°C for 5 seconds

Positions: 4 thru 20  
 A = .050 [1.27] x No. of Positions + .076 [1.92]  
 B = .050 [1.27] x No. of Spoces  
 C = .050 [1.27] x No. of Positions + .020 [0.52]

UNLESS OTHERWISE SPECIFIED  
 ALL DIMENSIONS ARE INCHES [MM]  
 TOLERANCES: EXCEPT AS NOTED  
 INCHES HOLS  
 .X ± .10 ØXX ± .10  
 .XX ± .020 ØXXX ± .015  
 .XXX ± .015 ØXXXX ± .010

**ADAM TECH**  
 909 Rahway Avenue, Union, NJ 07083  
 Phone: 908-687-5000 Fax: 908-687-5710  
 TITLE: .050 [1.27] MICRO MATCH SOCKET, SMT TYPE  
 TIN PLATED

DRAWN	DY	10/19/09	SIZE	PART NO.	MPF-A-XX-SMT-T	REV.
CHECKED			X			
APPROVED			REF:	S00019C	SCALE: NTS	SHEET 1 OF 1

