



Wire Wound Chip Common Mode Choke –AMCW-B Series



Operating Temp. : -40°C~+150°C

FEATURES

- Winding type realizes small size and low profile
- Suppression of common mode noise at high frequency
- Excellent solderability
- AEC-Q200 verified

APPLICATIONS

- Common mode noise filtering for automotive CAN-BUS and signal line.

PRODUCT IDENTIFICATION

① AMCW ② 3225 ③ B ④ -2 ⑤ -110 ⑥ I

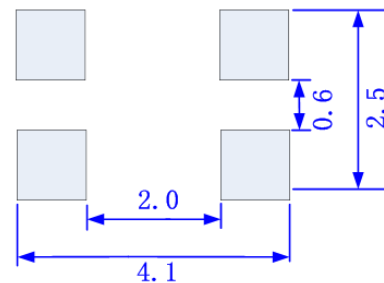
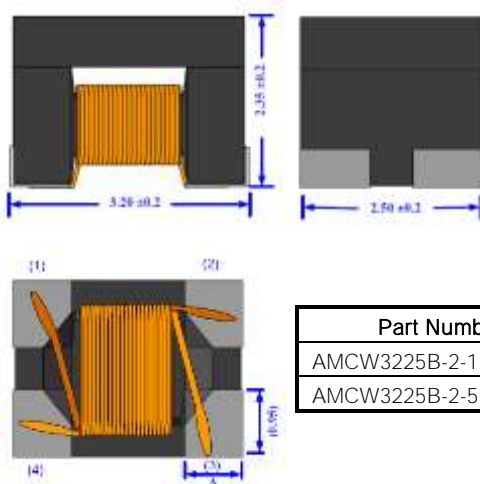
①		②		③	
Type		External Dimensions (L×W) (mm)		Code	
AMCW	Winding Type	3225 [1210]	3.2×2.5	B	for CAN-BUS
	Common Mode Choke	4532 [1812]	4.5×3.2		
④		⑤		⑥	
Number of Lines		Inductance(uH)		Packing	
2		Example	Nominal Value	T	Tape & Reel
		110	11		
		220	22		
		510	51		
		101	100		

SHAPE AND DIMENSIONS

AMCW3225B TYPE

Recommended Land Pattern

Unit:mm



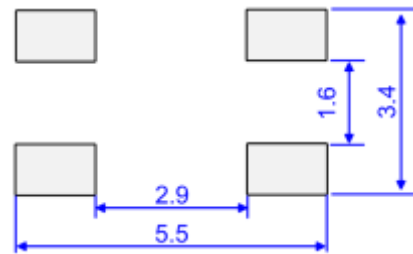
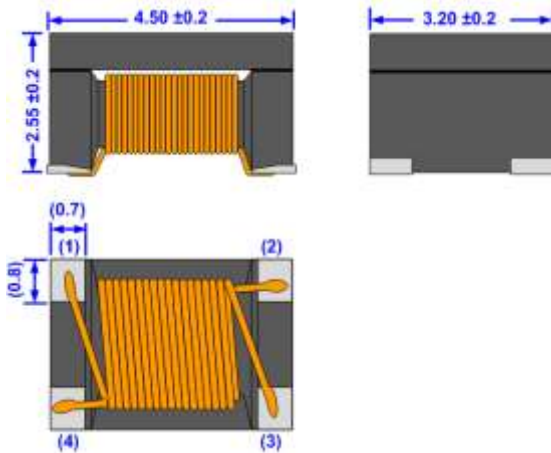
Part Number	A
AMCW3225B-2-110T/220T	0.80mm
AMCW3225B-2-510T/101T	0.70mm

SHAPE AND DIMENSIONS

AMCW4532B TYPE

Recommended Land Pattern

Unit: mm



SPECIFICATIONS

AMCW3225B TYPE

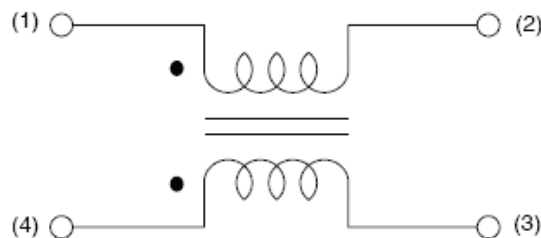
Part Number	Inductance	DC Resistance	Rated Current	Rated Voltage	Insulation Resistance
	+50%/-30%	Max.	Max.	Max.	Min.
Units	uH	Ω	mA	Volts	M Ω
Symbol	L	DCR	I _r	V _{DC}	IR
AMCW3225B-2-110T	11(@100KHz/0.1V)	0.3	400	80	10
AMCW3225B-2-220T	22(@100KHz/0.1V)	0.5	300	80	10
AMCW3225B-2-510T	51(@100KHz/0.1V)	1.5	200	80	10
AMCW3225B-2-101T	100(@100KHz/0.1V)	1.8	150	80	10

AMCW4532B TYPE

Part Number	Inductance	DC Resistance	Rated Current	Rated Voltage	Insulation Resistance
	+50%/-30%	Max.	Max.	Max.	Min.
Units	uH	Ω	mA	Volts	M Ω
Symbol	L	DCR	I _r	V _{DC}	IR
AMCW4532B-2-110T	11(@ 100KHz/0.1V)	0.5	360	50	10
AMCW4532B-2-220T	22(@ 100KHz/0.1V)	0.8	310	50	10
AMCW4532B-2-510T	51(@ 1.0MHz/0.1V)	1.0	230	50	10
AMCW4532B-2-101T	100(@ 1.0MHz/0.1V)	2.0	200	50	10

※: Products with other electrical characteristics can be provided upon customer's request. Please contact your local sales.

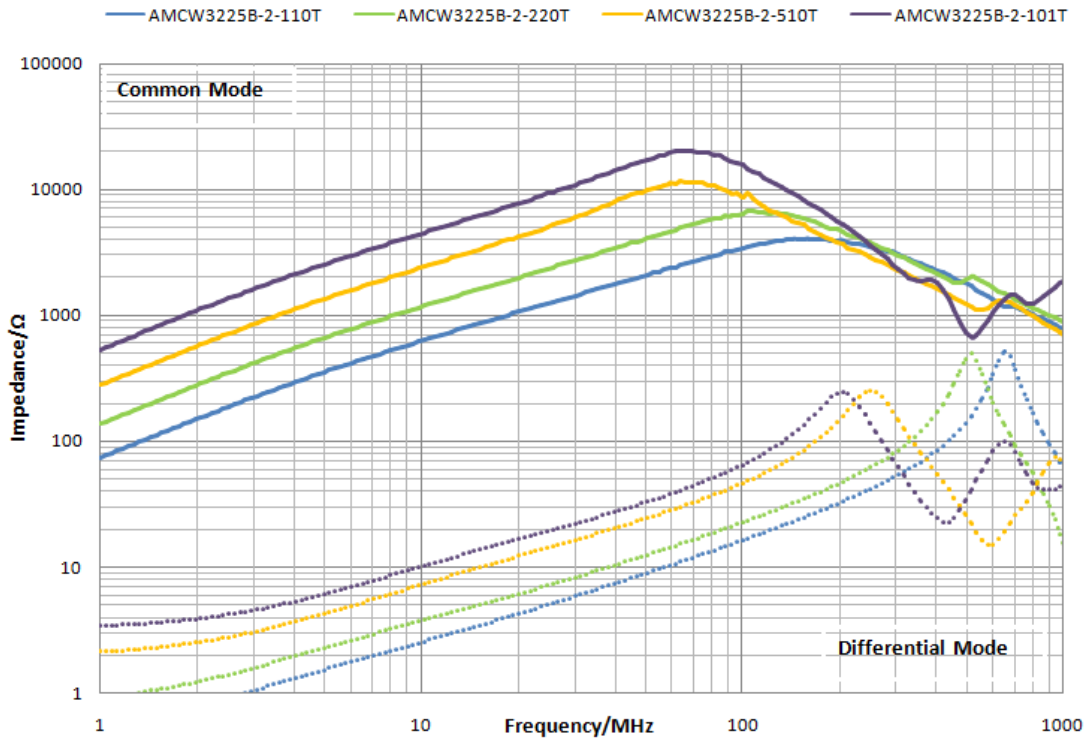
EQUIVALENT CIRCUIT



TYPICAL ELECTRICAL CHARACTERISTICS

AMCW3225B TYPE

Impedance vs. Frequency



AMCW4532B TYPE

Impedance vs. Frequency

