

## General Description

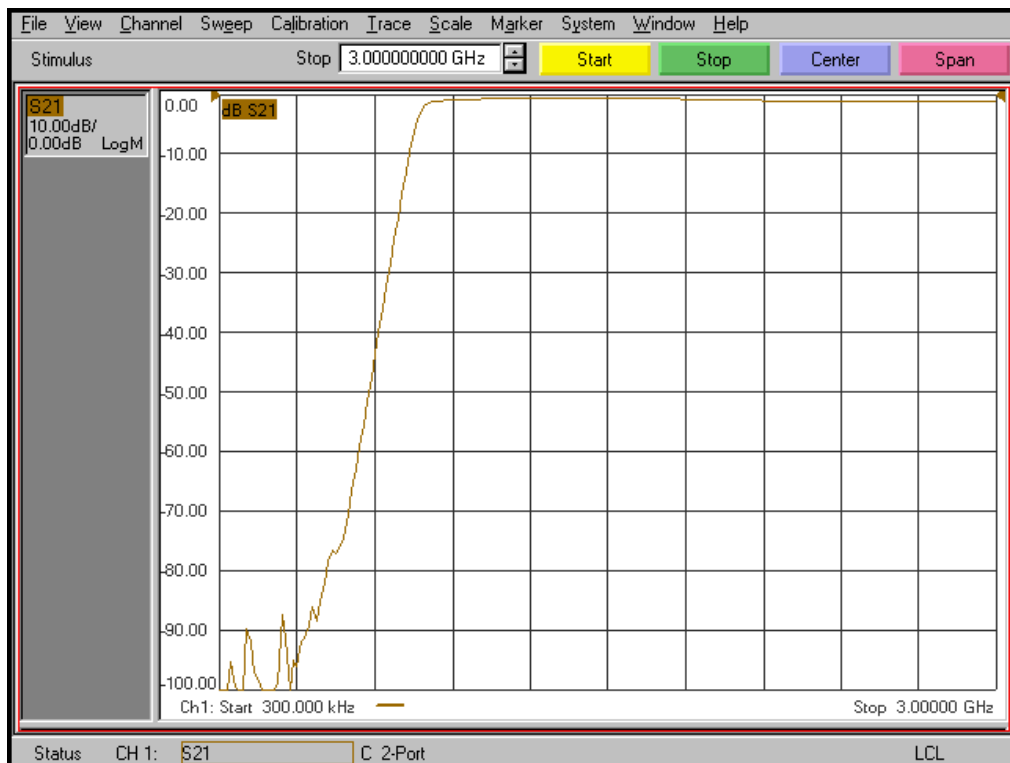
KR Electronics part number 3255-805-HP is a 805 MHz highpass filter. Other cutoff frequencies are available. Please consult the factory.

## Features

- 805 MHz Highpass Filter
- < 1.5 dB at 805 MHz
- 50 dB min at 500 MHz
- 50  $\Omega$  Source and Load
- Surface Mount
- Available with SMA Connectors
- Other frequencies available

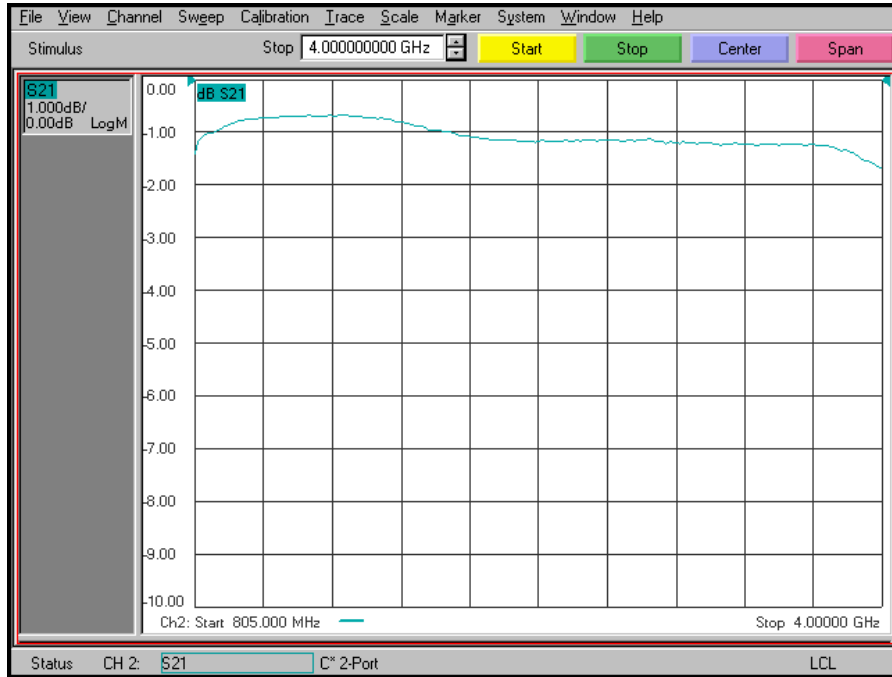
## Typical Performance

### Overall Response (10 dB/div)

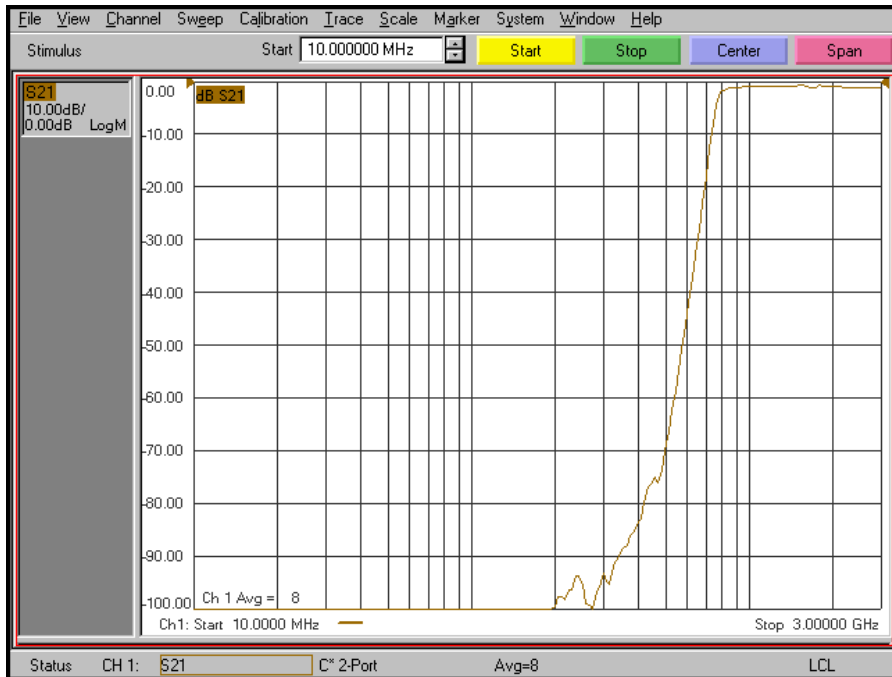


# KR Electronics 3255-805-HP

## Passband Amplitude (1 dB/div)



## Overall Response (10 dB/div)



KR Electronics, Inc.  
91 Avenel Street  
Avenel, NJ 07001

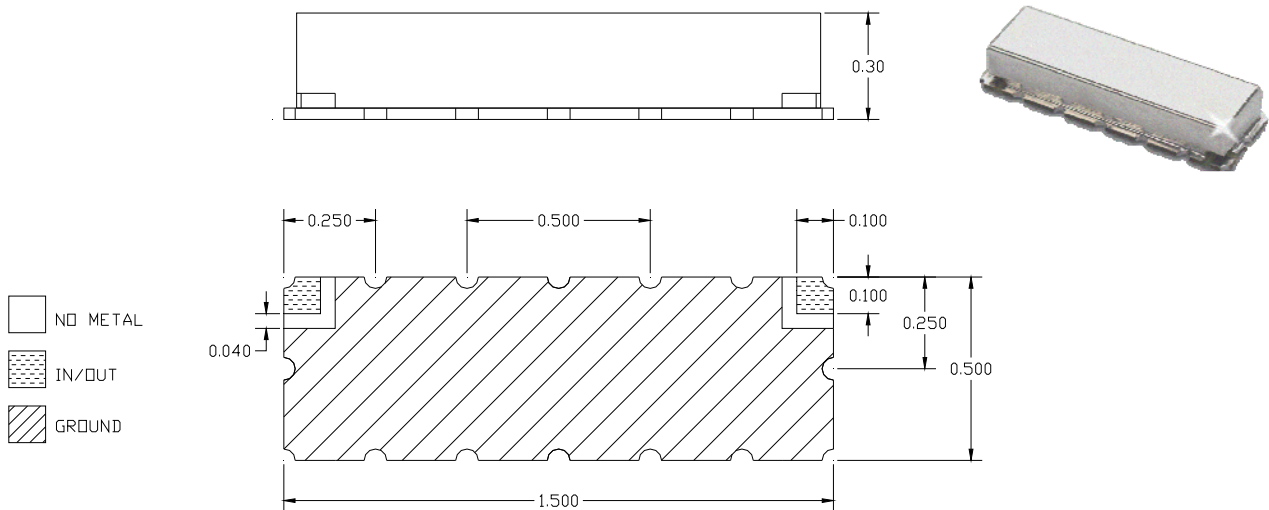
Web [www.krfilters.com](http://www.krfilters.com)  
Email [sales@krfilters.com](mailto:sales@krfilters.com)  
Phone (732) 636-1900  
Fax (732) 636-1982

# KR Electronics 3255-805-HP

## Specifications

Parameter	Specification	Notes
Filter type	Highpass	
Attenuation 805 to 2000 MHz	1.5 dB max	805 MHz to >3000 MHz typical
Attenuation dc to 500 MHz	50 dB min	> 70 dB typical
Source and Load	50 $\Omega$	

## Physical Dimensions



### Notes:

1. Surface mount package
2. Dimensions in inches
3. Max reflow temperature 230° C for 10 sec
4. If boards are cleaned after installation units must be completely dried

KR Electronics, Inc.  
91 Avenel Street  
Avenel, NJ 07001

Web [www.krfilters.com](http://www.krfilters.com)  
Email [sales@krfilters.com](mailto:sales@krfilters.com)  
Phone (732) 636-1900  
Fax (732) 636-1982