

## DETAILS

<b>Product Number</b>	CA11181_BROOKE-S
<b>Family</b>	Brooke
<b>Type</b>	RefAssy
<b>Color</b>	metal
<b>Diameter</b>	45 mm
<b>Height</b>	20,1 mm
<b>Style</b>	round
<b>Optic Material</b>	
<b>Holder Material</b>	
<b>Fastening</b>	tape
<b>Status</b>	production ready
<b>ROHS Compliant</b>	Yes
<b>Date Updated</b>	11/11/2016



## OPTICAL PROPERTIES

LED	Viewing	Light	Efficiency	cd/lm	Connector
	Angle	Beam			
BXRA ES Rectangle	24 deg	Spot	94 %	-	-
V6 Gen6	12 deg	Spot	94 %	7.300	-
V8 Gen6	15 deg	Spot	94 %	5.200	-
CXA/B 13xx	12 deg	Spot	94 %	7.900	-
XHP70	15 deg	Spot	94 %	5.500	-

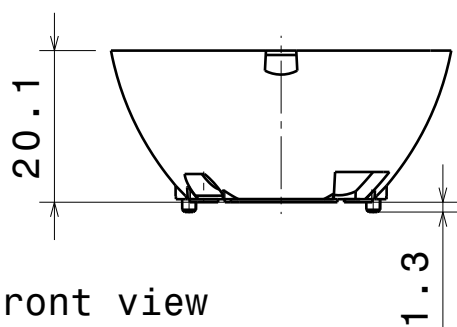
D

C

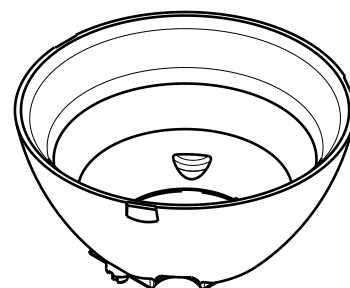
B

A

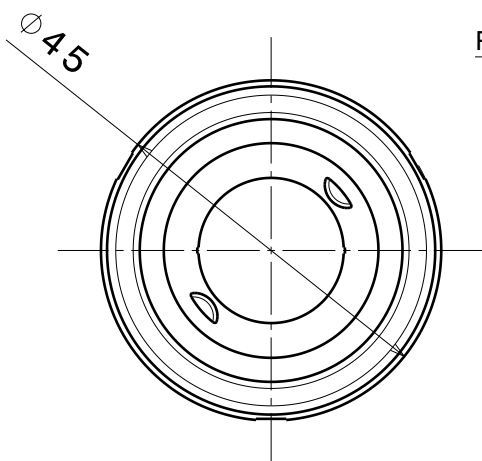
4



Front view

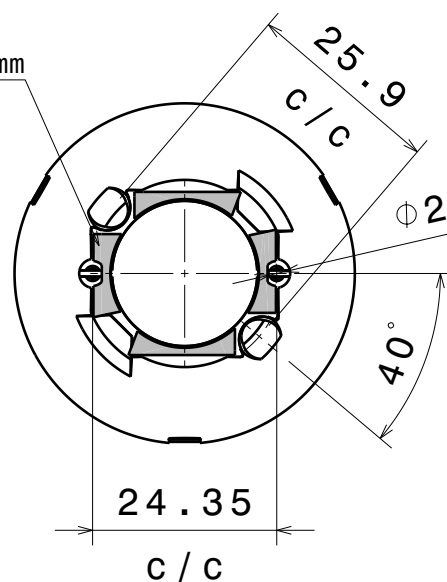
Isometric view  
Scale: 1:1

3



Top view

PU foam tape 0.4mm



Bottom view

2

2

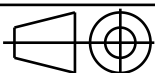
INDEX	PART NO	DESCRIPTION	MATERIAL	COLOUR
1	-	BROOKE reflector	PC	metal

Tolerances if not otherwise shown  
According to DIN ISO 2768-1  
Linear measures:  
Up to 30mm class M, otherwise class C.  
According to DIN ISO 2768-2  
Form and position: class L

LEDiL

Ledil Oy  
Salorankatu 10  
FIN 24240 SALO  
Finland

THIRD ANGLE PROJECTION:



DRAWING TITLE

BROOKE-tape series

This drawing is the property  
of LEDiL Oy. It may not be  
reproduced, copied or  
communicated without a written  
agreement with LEDiL Oy.

SIZE PART NUMBER

A4

-

SCALE 1:1 WEIGHT

-

SHEET 1/1

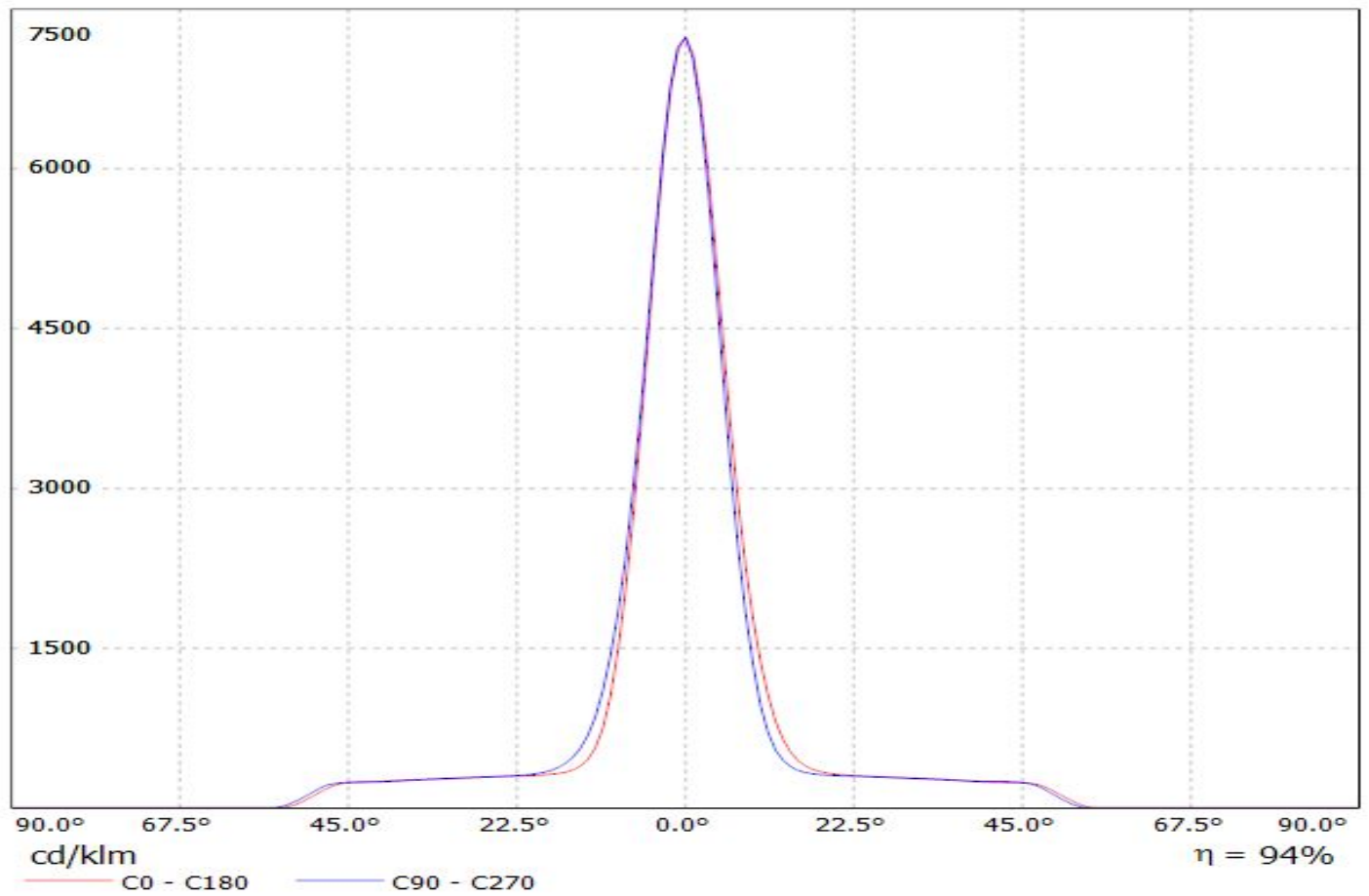
1

1

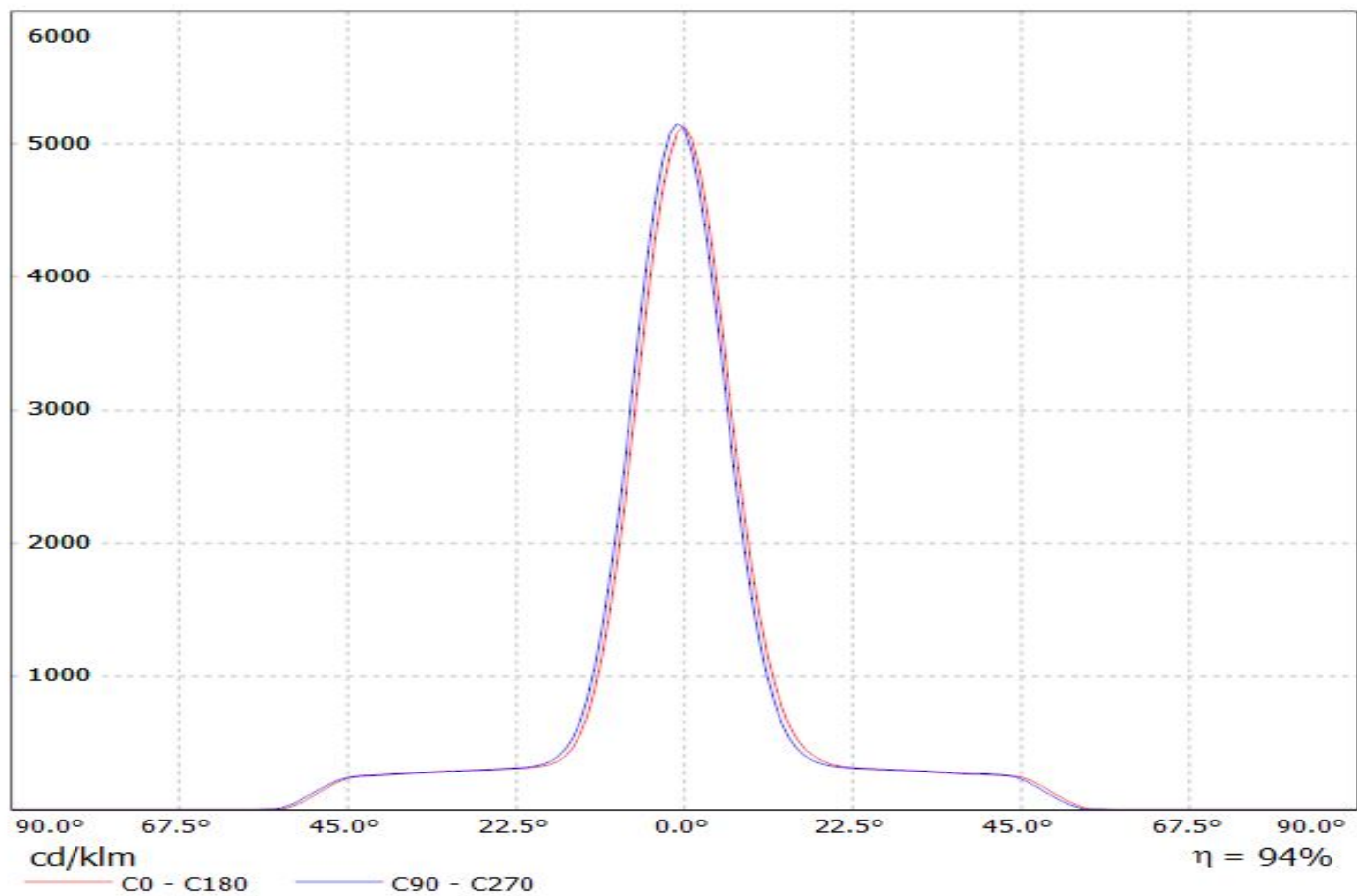
D

A

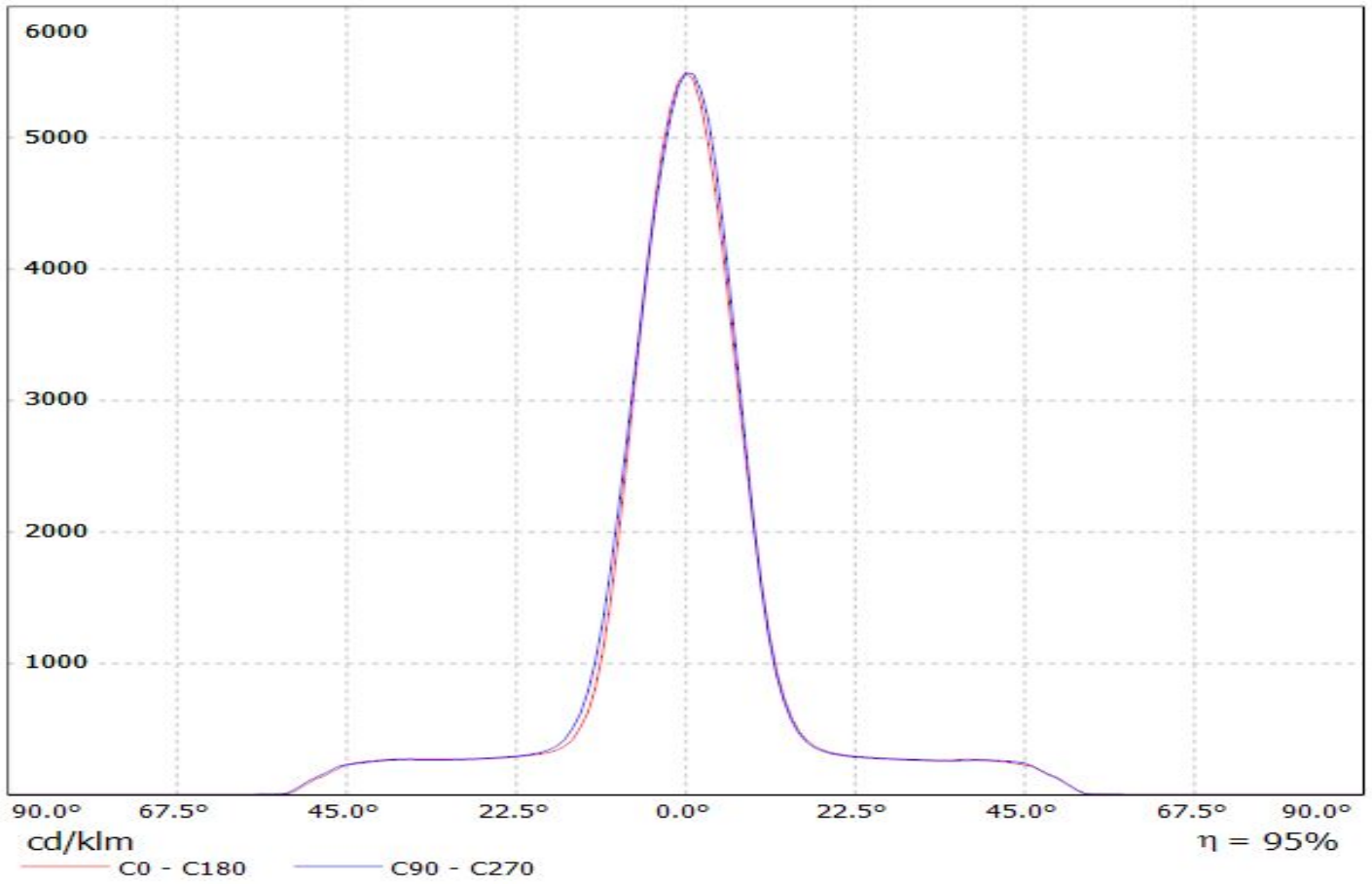
Luminaire: LEDiL Oy CA11181\_BROOKE-S\_(V6) Eff.94.0%  
Lamps: 1 x BRIDGELUX\_V6\_494.5lm@250mA\_P=5.22041W\_I=249.9mA



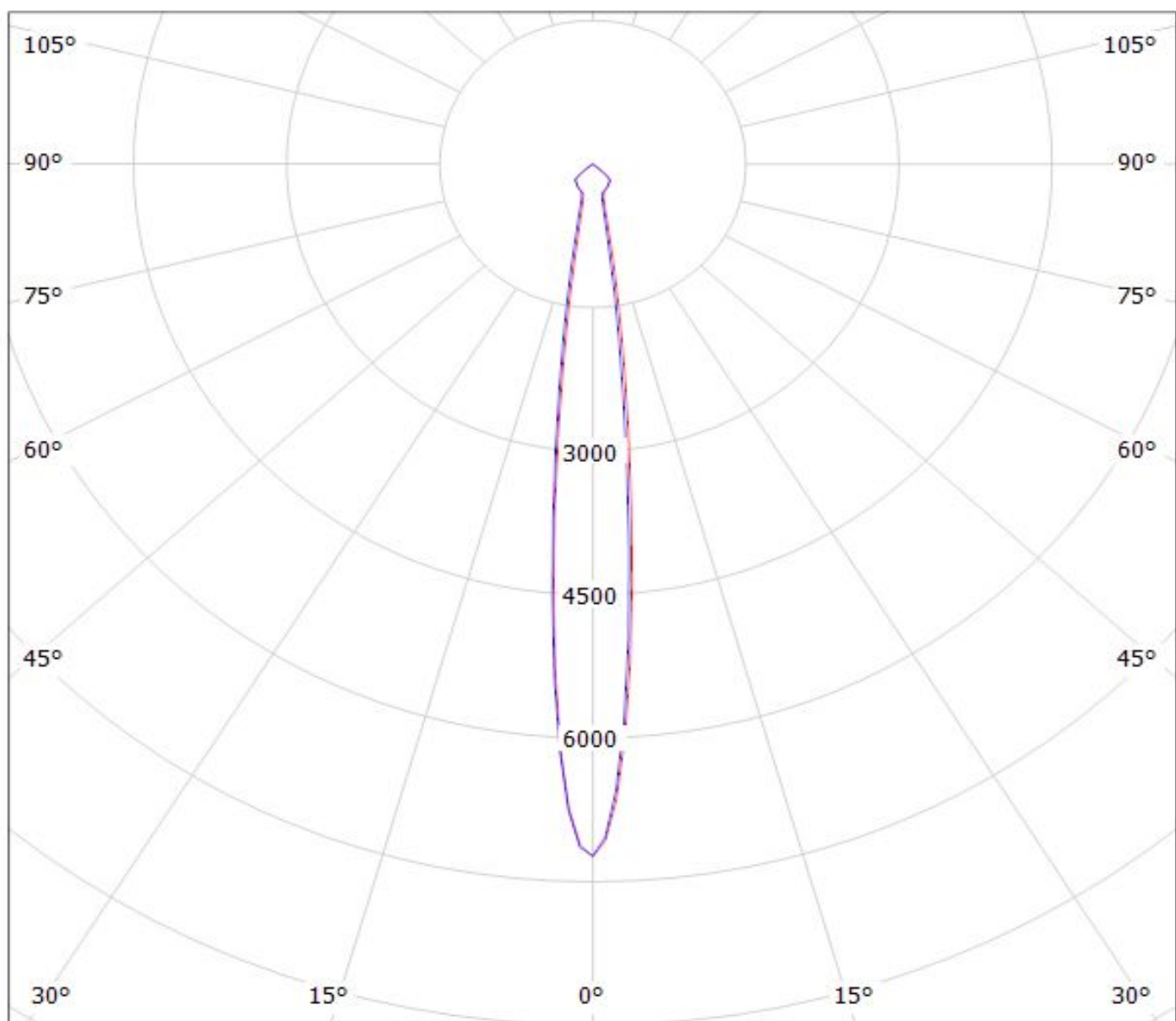
Luminaire: LEDiL Oy CA11181\_BROOKE-S\_(V8) Eff.94%  
Lamps: 1 x BRIDGELUX\_V8\_847.064lm@250mA\_P=8.83692W\_I=249.8mA



Luminaire: LEDiL Oy CA11181\_BROOKE-S\_(XHP70)  
Lamps: 1 x Cree\_XHP70\_261.415lm@250mA\_P=1.38207W\_I=249.9mA



Luminaire: LEDiL Oy CA11181\_BROOKE-S\_(V6) Eff.94.0%  
Lamps: 1 x BRIDGELUX\_V6\_494.5lm@250mA\_P=5.22041W\_I=249.9mA



cd/klm

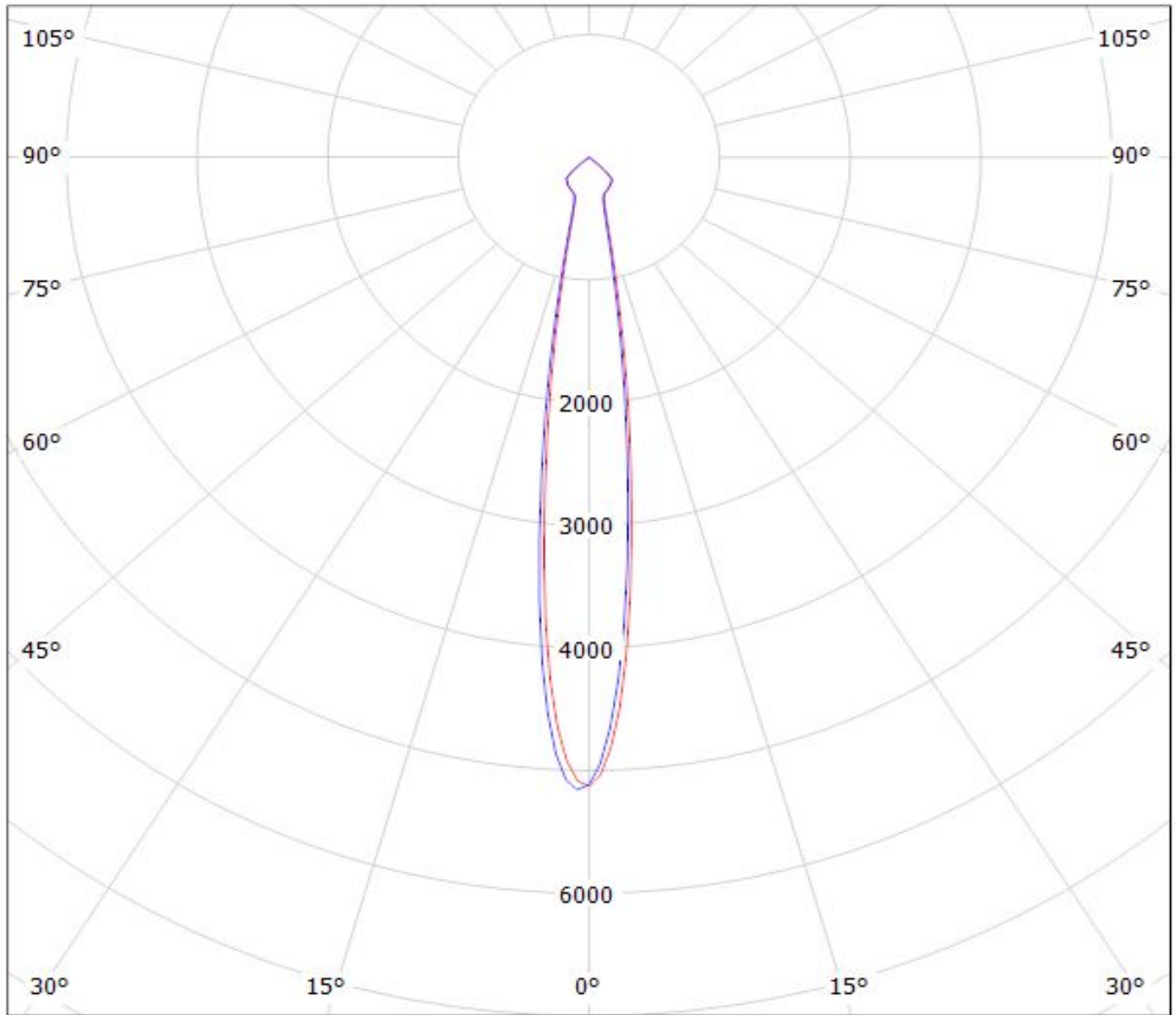
$\eta = 94\%$

— C0 - C180

— C90 - C270

Luminaire: LEDiL Oy CA11181\_BROOKE-S\_(V8) Eff.94%

Lamps: 1 x BRIDGELUX\_V8\_847.064lm@250mA\_P=8.83692W\_I=249.8mA



cd/klm

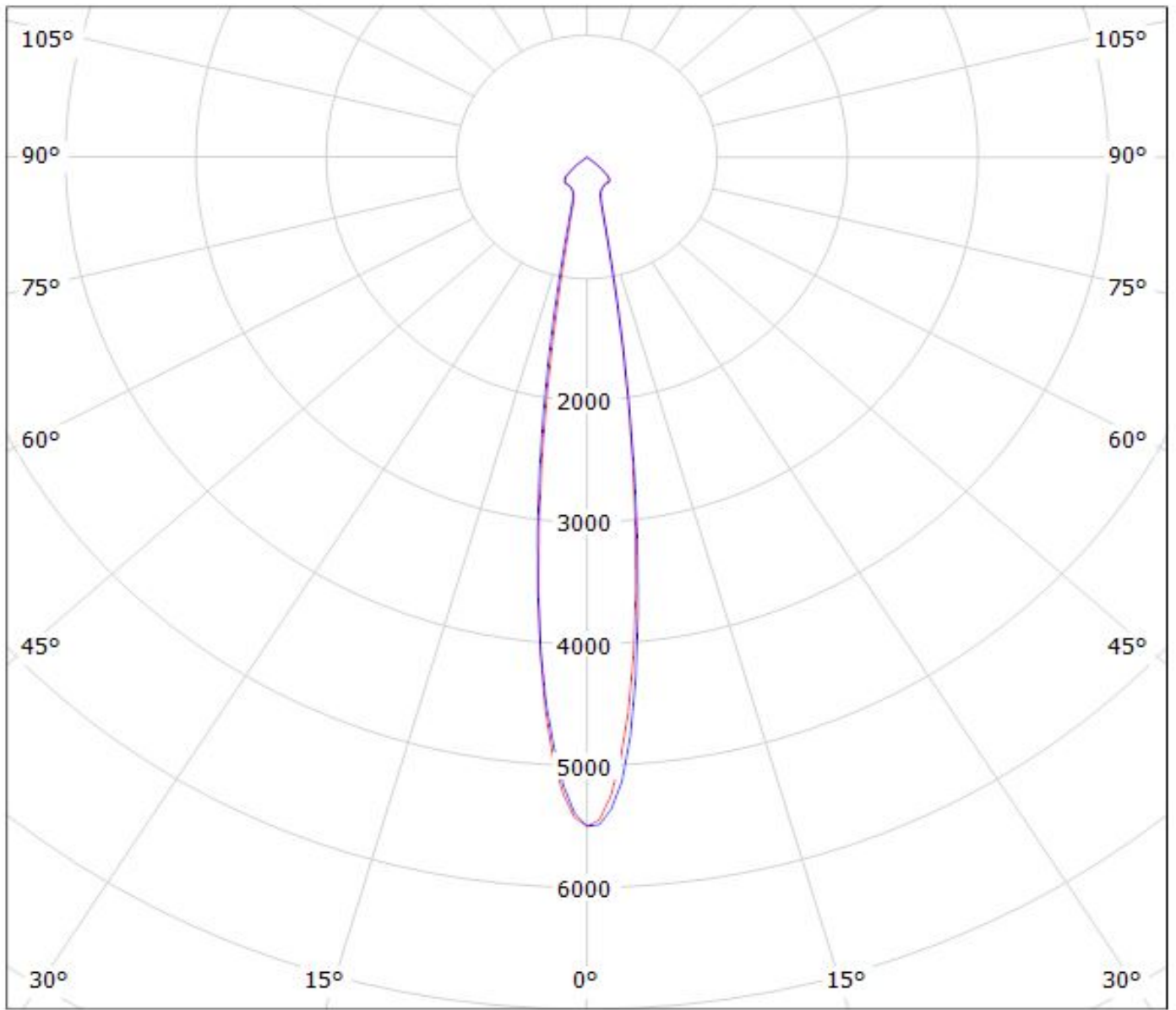
— C0 - C180

— C90 - C270

$\eta = 94\%$

Luminaire: LEDiL Oy CA11181\_BROOKE-S\_(XHP70)

Lamps: 1 x Cree\_XHP70\_261.415lm@250mA\_P=1.38207W\_I=249.9mA



cd/klm

$\eta = 95\%$

— C0 - C180

— C90 - C270



**NOTE: The typical divergence will be changed by different color, chip size and chip position tolerance. The typical total divergence is the full angle measured where the luminous intensity is half of the peak value.**

### **GENERAL INFORMATION**

- Product series especially designed & optimized for series of LEDs.
- Special care taken to make light distribution as uniform as possible.

Note! Due to use of high power COB's with this product, special attention to proper thermal design is highly recommended. LEDiL has no liability for direct, indirect or consecutive damages arising from the LEDiL products being used outside of the recommended temperature range.