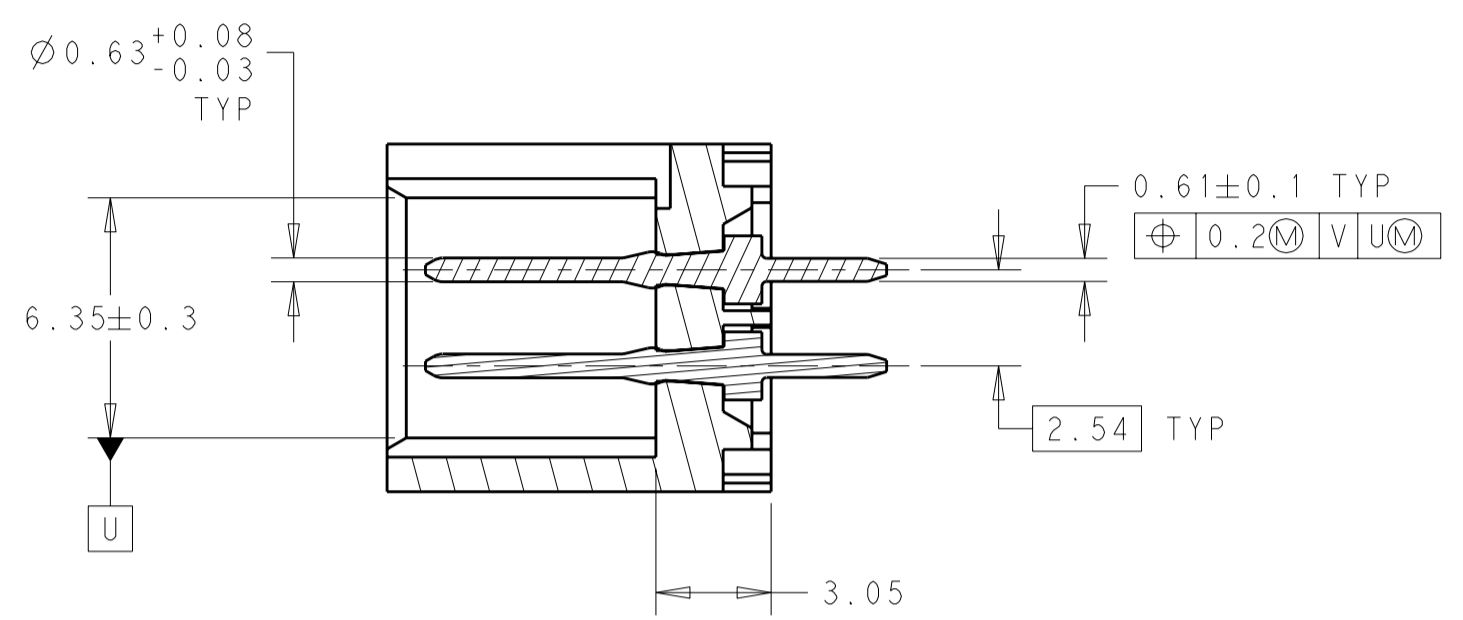
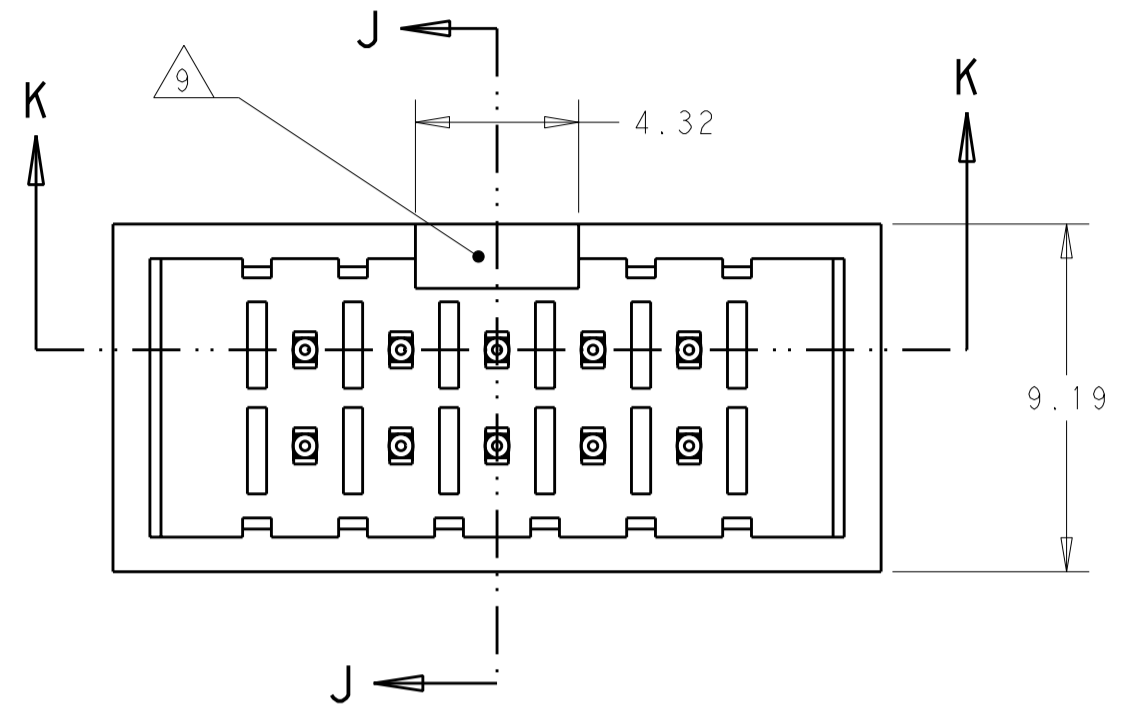
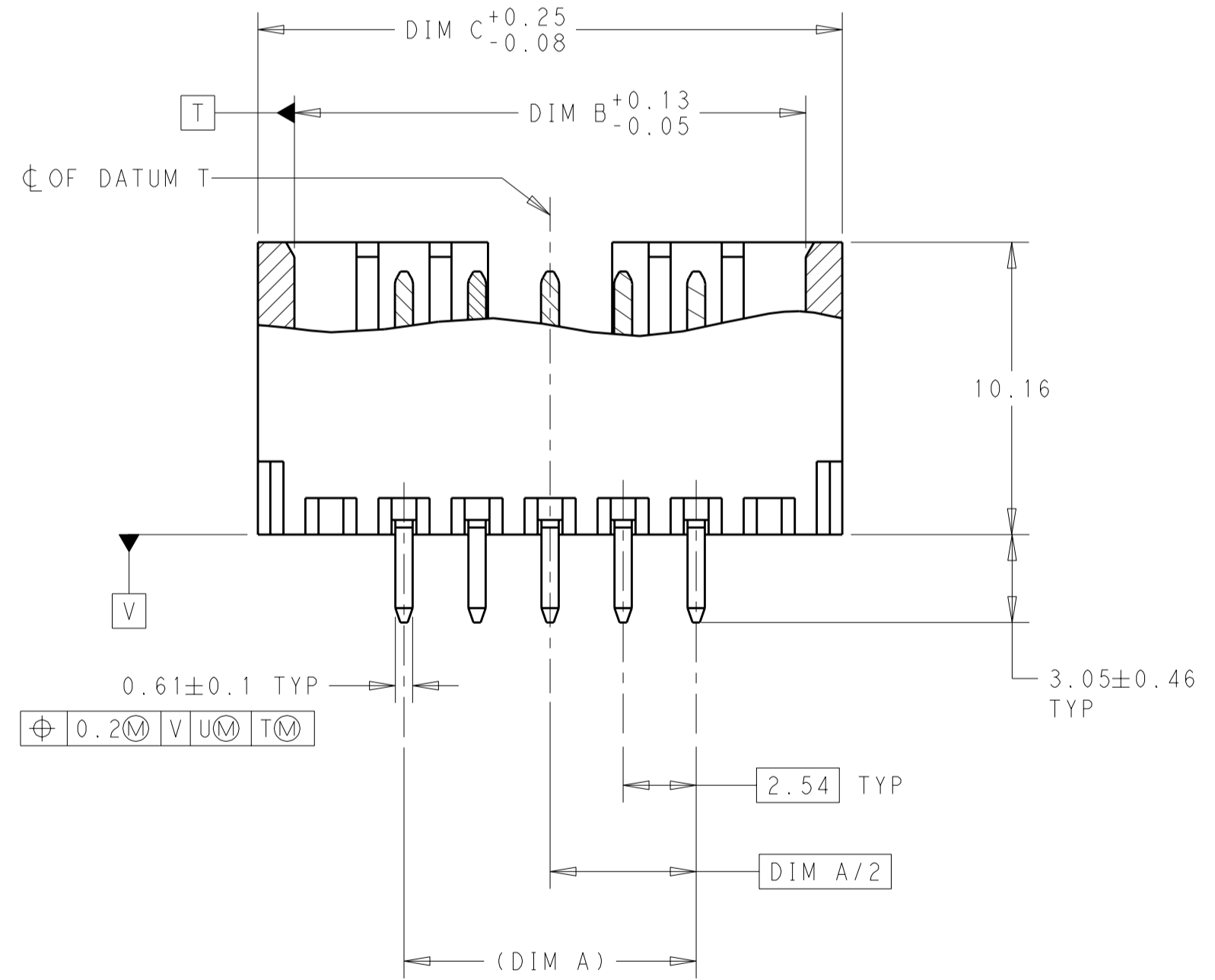


THIS DRAWING IS UNPUBLISHED. RELEASED FOR PUBLICATION 20  
 © COPYRIGHT 20 BY - ALL RIGHTS RESERVED.

LOC	DIST	REVISIONS					
GP	00	P	LTR	DESCRIPTION	DATE	DWN	APVD
			U	REDRAWN PER ECO-12-007497	30MAY2012	CJV	SLB



SECTION J-J



SECTION K-K

- ① HOUSING MATERIAL: PBT, GLASS FILLED, UL94V-0 RATED, BLACK.
- ② HOUSING MATERIAL: PBT, GLASS FILLED, UL94V-0 RATED, GRAY.
- ③ HOUSING MATERIAL: PPS, GLASS FILLED, UL94V-0 RATED, BROWN.
- 4. CONTACT MATERIAL: BRASS.
- ⑤ CONTACT FINISH: 0.76µm MIN GOLD OVER 1.27µm MIN NICKEL ON MATING SURFACES, 3µm MIN BRIGHT TIN OVER 1.27µm MIN NICKEL ON SOLDER TAIL.
- ⑥ CONTACT FINISH: 0.38µm MIN GOLD OVER 1.27µm MIN NICKEL ON MATING SURFACES, 3µm MIN BRIGHT TIN OVER 1.27µm MIN NICKEL ON SOLDER TAIL.
- ⑦ CONTACT FINISH: 0.2µm MIN GOLD OVER 1.27µm MIN NICKEL ON MATING SURFACES, 3µm MIN BRIGHT TIN OVER 1.27µm MIN NICKEL ON SOLDER TAIL.
- ⑧ OBSOLETE.
- ⑨ COMPANY LOGO APPROXIMATELY WHERE SHOWN

THIS DRAWING IS A CONTROLLED DOCUMENT. DIMENSIONING AND TOLERANCING PER ASME Y14.5M-2009		DWN C. VALENTINE 30MAY2012	TE Connectivity	
DIMENSIONS: mm		CHK S. BOLASH 30MAY2012		
TOLERANCES UNLESS OTHERWISE SPECIFIED:		APVD S. BOLASH 30MAY2012	NAME HEADER ASSEMBLY, VERTICAL, LOW PROFILE, AMP-LATCH	
0 PLC ±- 1 PLC ±0.2 2 PLC ±0.13 3 PLC ±0.005 4 PLC ±0.0005 ANGLES ±		PRODUCT SPEC 108-20038	SIZE A200779C-281271	
MATERIAL SEE TABLE		APPLICATION SPEC -	DRAWING NO -	
FINISH SEE TABLE		WEIGHT -	RESTRICTED TO -	
CUSTOMER DRAWING		SCALE 5:1		SHEET 1 OF 2 REV U

THIS DRAWING IS UNPUBLISHED. RELEASED FOR PUBLICATION 20  
 © COPYRIGHT 20 BY - ALL RIGHTS RESERVED.

LOC	DIST	REVISIONS					
GP	00	P	LTR	DESCRIPTION	DATE	DWN	APVD
		-		SEE SHEET 1			

10	281271-3	10.16	17.78	20.32	
14	281272-3	15.24	22.86	25.40	
16	281273-3	17.78	25.40	27.94	
20	281274-3	22.86	30.48	33.02	
26	281275-3	30.48	38.10	40.64	
34	281276-3	40.64	48.26	50.80	
40	281277-3	48.26	55.88	58.42	
50	281278-3	60.96	68.58	71.12	
60	281836-3	73.66	81.28	83.82	
NO POS	PART NUMBER	A	B	C	NOTES



10	281271-2	10.16	17.78	20.32	
14	281272-2	15.24	22.86	25.40	
16	281273-2	17.78	25.40	27.94	
20	281274-2	22.86	30.48	33.02	
26	281275-2	30.48	38.10	40.64	
34	281276-2	40.64	48.26	50.80	
40	281277-2	48.26	55.88	58.42	
50	281278-2	60.96	68.58	71.12	
60	281836-2	73.66	81.28	83.82	
NO POS	PART NUMBER	A	B	C	NOTES



10	1-281271-1	10.16	17.78	20.32	
14	1-281272-1	15.24	22.86	25.40	
16	1-281273-1	17.78	25.40	27.94	
20	1-281274-1	22.86	30.48	33.02	
26	1-281275-1	30.48	38.10	40.64	
34	1-281276-1	40.64	48.26	50.80	
40	1-281277-1	48.26	55.88	58.42	
50	1-281278-1	60.96	68.58	71.12	
60	1-281836-1	73.66	81.28	83.82	
NO POS	PART NUMBER	A	B	C	NOTES



10	281271-1	10.16	17.78	20.32	
14	281272-1	15.24	22.86	25.40	
16	281273-1	17.78	25.40	27.94	
20	281274-1	22.86	30.48	33.02	
26	281275-1	30.48	38.10	40.64	
34	281276-1	40.64	48.26	50.80	
40	281277-1	48.26	55.88	58.42	
50	281278-1	60.96	68.58	71.12	
60	281836-1	73.66	81.28	83.82	
NO POS	PART NUMBER	A	B	C	NOTES



10	281271-5	10.16	17.78	20.32	
14	281272-5	15.24	22.86	25.40	
16	281273-5	17.78	25.40	27.94	
20	281274-5	22.86	30.48	33.02	
26	281275-5	30.48	38.10	40.64	
34	281276-5	40.64	48.26	50.80	
40	281277-5	48.26	55.88	58.42	
50	281278-5	60.96	68.58	71.12	
60	281836-5	73.66	81.28	83.82	
NO POS	PART NUMBER	A	B	C	NOTES



THIS DRAWING IS A CONTROLLED DOCUMENT. DIMENSIONING AND TOLERANCING PER ASME Y14.5M-2009		DWN C. VALENTINE 30MAY2012	TE Connectivity NAME HEADER ASSEMBLY, VERTICAL, LOW PROFILE, AMP-LATCH
DIMENSIONS: mm		CHK S. BOLASH 30MAY2012	
TOLERANCES UNLESS OTHERWISE SPECIFIED: 0 PLC ± 1 PLC ±0.2 2 PLC ±0.13 3 PLC ±0.005 4 PLC ±0.0005 ANGLES ± FINISH		APVD S. BOLASH 30MAY2012	
MATERIAL SEE TABLE	PRODUCT SPEC 108-20038	APPLICATION SPEC -	SIZE A200779
CUSTOMER DRAWING		WEIGHT -	DRAWING NO C-281271
SCALE 5:1		RESTRICTED TO -	
SHEET 2 OF 2		REV U	