

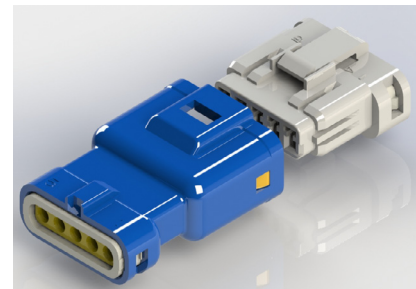
560 SERIES



WATERPROOF WIRE TO WIRE & WIRE TO BOARD CONNECTORS

Features:

- 2.5mm pitch, rated current: 3A max
- Fully waterproof with double latch solution
- Available in wire to wire and wire to board options
- Seals preassembled into housing; no external sealing required
- Available in 2, 3, or 5 positions
- True crimp and poke solution
- Waterproofing cap available to cover unused positions
- Internal polarization to prevent mismatching
- Available with wire already installed
- Waterproof Grade: IP67 Certified

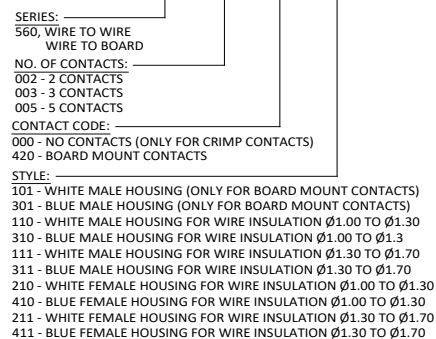


Specifications:

No. of Positions	2, 3, 5
Pitch	2.5 mm
Rated Voltage	250 V
Rated Current	3 amps maximum
Dielectric Withstanding Voltage	1000 V AC (rms)
Contact Resistance	15 milliohms maximum
Insulation Resistance	1000 megaohms minimum/DC 500 V
Operating Temperature	-40°C to +105°C
PCB Thickness	1.6 mm

Ordering Code:

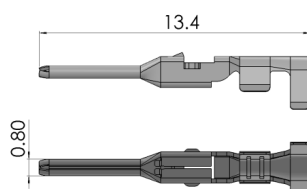
560-002-000-110



Crimp Contact:

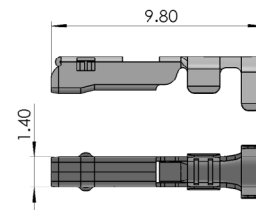
Male Contact (Pin)			
Part No	AWG#	Ins. Dia.	Pcs/Reel
565-290-731	20-22	Max. Ø1.7	8,000
565-290-711	22-28	Max. Ø1.6	8,000

**Crimp Contacts are also available in strips of 60pcs. Contact EDAC for more information.



Female Contact (Socket)			
Part No	AWG#	Ins. Dia.	Pcs/Reel
565-290-741	20-22	Max. Ø1.7	8,000
565-290-721	22-28	Max. Ø1.6	10,000

**Wire seals, housing seals and retainers are already pre-assembled in the connector.



Materials:

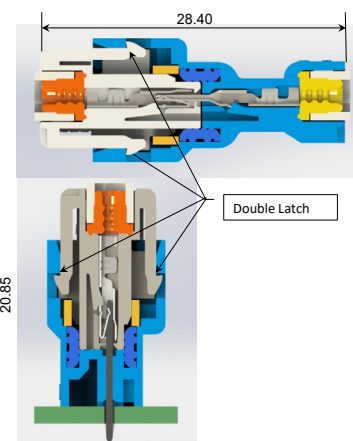
Crimp & Poke	Housing	PBT, UL 94V-0
	Contact	Phosphor Bronze
PCB Header	Housing	PBT with Glass, UL 94V-0
	Contact	Brass
Contact Plating		Tin Plating
Wire & Housing Seals		Silicone Rubber
Waterproofing Cap		PBT, UL 94V-0

Rear Gasket (Wire Seal):

Applicable Contact:	Wire O.D.:	Color:
565-290-711 565-290-721	Ø1.00 to Ø1.30	Yellow
565-290-731 565-290-741	Ø1.30 to Ø1.70	Orange



Assembly Layout:



Waterproofing Cap:

Part No.:
565-200-100

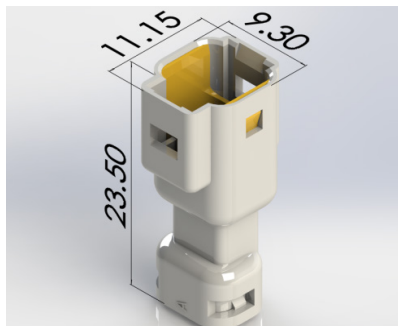


Male Housing:

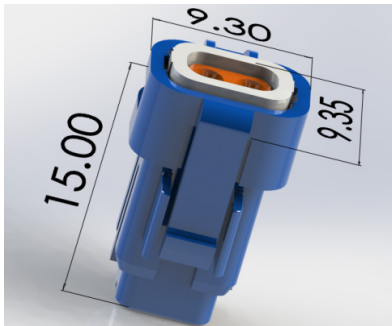
Female Housing:

PCB Header

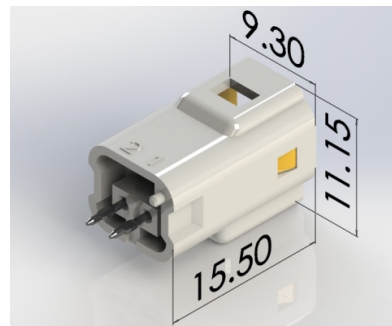
560-002-000-XXX



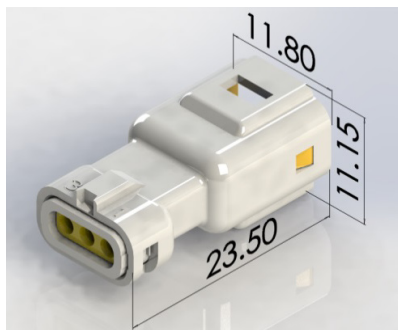
560-002-000-XXX



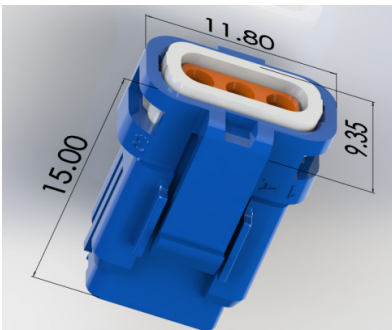
560-002-420-XXX



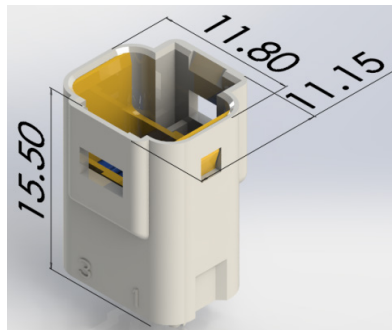
560-003-000-XXX



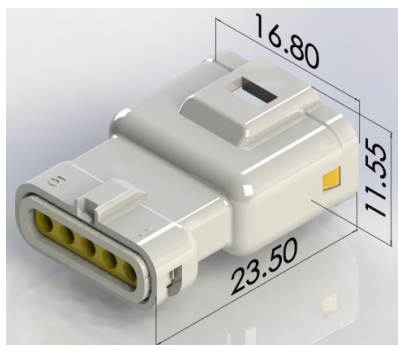
560-003-000-XXX



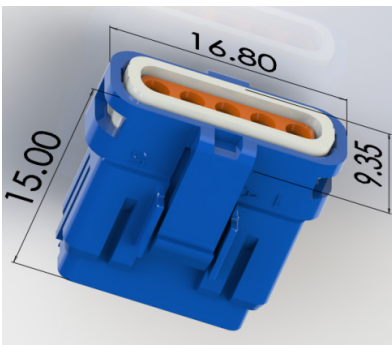
560-003-420-XXX



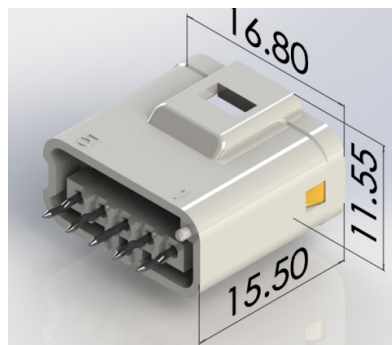
560-005-000-XXX



560-005-000-XXX



560-005-420-XXX



Male Housing:

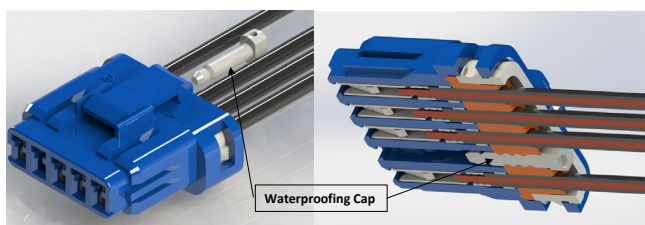
Female Housing:

PCB Header:

Ø Wire Insulation:	Housing Color:	XXX:
Ø1.00 to Ø1.30	White	110
	Blue	310
Ø1.30 to Ø1.70	White	111
	Blue	311

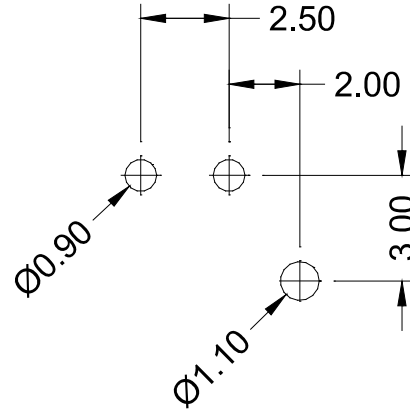
Ø Wire Insulation:	Housing Color:	XXX:
Ø1.00 to Ø1.30	White	210
	Blue	410
Ø1.30 to Ø1.70	White	211
	Blue	411

Housing Color:	XXX:
White	101
Blue	301

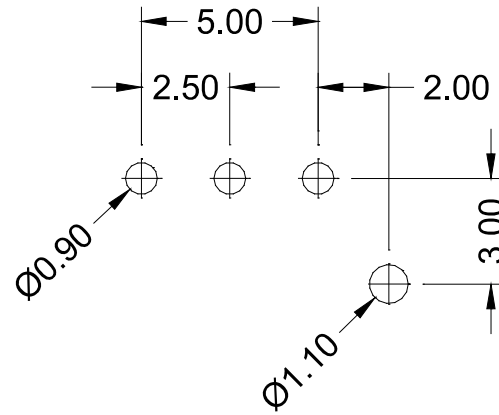


NOTE: Waterproofing Cap is installed at the wire seal end to cover the unused holes.

560 SERIES - 2P



560 SERIES - 3P



560 SERIES - 5P

