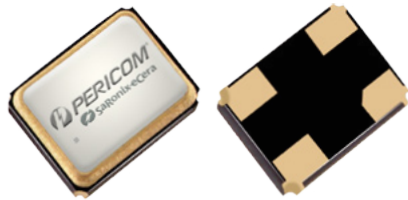


# 1.8V ~ 3.3VDC Clipped Sinewave TCXO

# JT325



3.2 x 2.5mm Ceramic SMD

Typical Frequencies available MHz:		
10.24	16.369	19.200
25.000	26.000	40.000

## Product Features

- Low Current
- Tight temperature stability
- Clipped Sinewave output levels
- Excellent Phase Noise
- Industrial Temperature Range
- Pb-free and RoHS/Green compliant
- Fast lead time

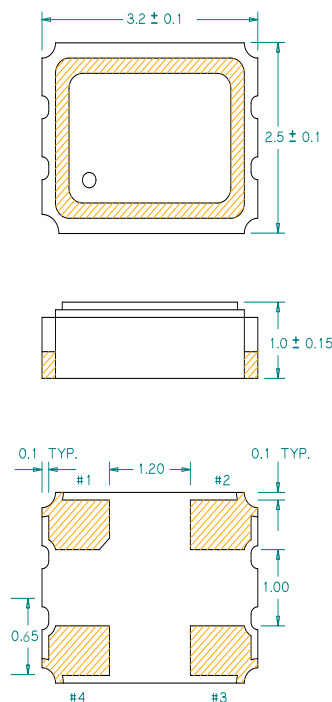
## Product Description

The JT325 TCXO series is a high performance temperature compensated oscillator with a Clipped Sinewave output for a very low operating supply current. It supports various power supply voltages, stabilities and other features. It is designed to meet tight temperature stability application requirements.

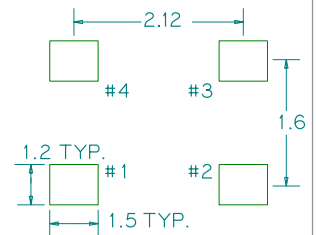
## Applications

- Networking systems
- Video Systems
- GPS/Navigation
- Metering
- Wireless

## Package: (scale-none, dimensions in mm)



### Recommended Land Pattern:



## Pin Functions:

Pin	Function
1	Ground
2	Ground
3	Output
4	V <sub>DD</sub>

## Part Ordering Information:

JT325 V X FFFF.FFFFFFF



Voltage:  
1 = +3.3V  
2 = +2.5V  
3 = +1.8V  
4 = +1.5V  
B = +3.0V  
C = +2.8V  
D = +2.7V  
E = +2.85V  
F = +2.75V  
G = +2.4V

Stability	Temp Range			
	-20/+70C	-30/+85C	-30/+75C	-40/+85C
+/-0.5ppm	A	F	K	P
+/-1.0ppm	B	G	L	Q
+/-1.5ppm	C	H	M	R
+/-2.0ppm	D	I	N	S
+/-2.5ppm	E	J	O	T
+/-5.0ppm	W	X	Y	U

Frequency:  
FFFFFFF  
MHz, "4 digits/decimal/6 digits" format

Following the above format, PSE Technology Corporation part numbers will be assigned upon confirmation of exact customer requirements.



### Electrical Performance

Parameter		Min.	Typ.	Max.	Units	Notes
Output Frequency		10		52	MHz	
Supply Voltage		1.8		3.3	V	See ordering options, VDD ±5%
Supply Current				1.5	mA	Output Frequency ≤ 30 MHz
				2.0	mA	Output Frequency > 30 MHz
Output Voltage Level		0.8		1.4	V	Pk-Pk
Output Load	Resistance	9	10	11	kΩ	
	Capacitance	9	10	11	pF	
Frequency Stability	vs Temperature	±0.5		±5.0	ppm	See ordering options
	vs Load			±0.2	ppm	±10% load change
	vs Voltage			±0.1	ppm	±5% supply voltage change at typical load
Static Temperature Hysteresis				±0.6	ppm	
Frequency Aging				±1.0	ppm	First year, +25°C
Frequency Tolerance After Two Reflows				±2.0	ppm	@ +25°C±3°C after one hour recovery
Harmonics				-8	dBc	
Operating Temperature Range		-30		+85	°C	See ordering options
Storage Temperature Range		-40		85	°C	
Phase Noise at 1KHz offset			-140		dBc/Hz	At 26MHz
Start up Time				2	ms	

#### Notes:

- For specifications other than those listed, please contact sales.
- Not all combinations of V<sub>DD</sub>, Operating Temperature Range, Frequency Stability and Output Frequency are available.
- Frequency Stability vs. Temperature is reference to the mid-point between minimum and maximum frequency values over the specified Operating Temperature Range
- Frequency Stability vs. Voltage and vs. Load changes are reference to the Nominal Frequency at 25°C

For the latest product information visit: <http://www.pericom.com/products/crystals-and-crystal-oscillators/tcxo/?part=JT325>

For test circuit go to: [http://www.pericom.com/assets/sre/VCTCXO\\_CLIPPEDESINE\\_RevB.pdf](http://www.pericom.com/assets/sre/VCTCXO_CLIPPEDESINE_RevB.pdf)

For soldering reflow profile and reliability test ratings go to: <http://www.pericom.com/assets/sre/reflow.pdf>

For tape and reel information go to: [http://www.pericom.com/assets/sre/tr\\_3225\\_xo.pdf](http://www.pericom.com/assets/sre/tr_3225_xo.pdf)