



NPN BUW48

HIGH CURRENT SWITCHING TRANSISTOR

The BUW48 is silicon NPN power transistor in TO3PN package. They are intended for use in switching regulators, motor controls, high frequency and efficiency converters. Compliance to RoHS.

ABSOLUTE MAXIMUM RATINGS

Symbol	Ratings		Value	Unit
V_{CEO}	Collector-Emitter Voltage	$I_B = 0$	60	V
V_{CBO}	Collector-Base Voltage	$I_E = 0$	120	V
V_{EBO}	Emitter-Base Voltage	$I_C = 0$	7	V
I_C	Collector Current		30	A
I_{CM}	Collector Current Peak	$t_p = 10 \text{ ms}$	45	A
I_B	Base Current		8	A
I_{BM}	Base Current Peak		12	A
P_t	Total Power Dissipation	@ $T_C = 25^\circ$	150	Watts
T_J	Junction Temperature		175	$^\circ\text{C}$
T_{Stg}	Storage Temperature		-65 to +175	$^\circ\text{C}$

THERMAL CHARACTERISTICS

Symbol	Ratings	Value	Unit
R_{thJC}	Thermal Resistance, Junction to Case	1	$^\circ\text{C/W}$



NPN BUW48

ELECTRICAL CHARACTERISTICS

TC=25°C unless otherwise noted

Symbol	Ratings	Test Condition(s)	Min	Typ	Mx	Unit
$V_{CE(SUS)}$	Collector-Emitter Sustaining Voltage (*)	$I_C = 200 \text{ mA}$, $I_B = 0 \text{ A}$ $L = 25 \text{ mH}$	60	-	-	V
V_{EBO}	Emitter-Base Voltage	$I_C = 0 \text{ A}$, $I_E = 50 \text{ mA}$	7	-	-	V
I_{CEX}	Collector Cutoff Current	$V_{CE} = 60 \text{ V}$, $V_{BE} = -1.5 \text{ V}$	-	-	1	mA
		$V_{CE} = 60 \text{ V}$, $V_{BE} = -1.5 \text{ V}$ $T_{case} = 125^\circ\text{C}$	-	-	3	
I_{EBO}	Emitter Cutoff Current	$V_{EB} = 5 \text{ V}$, $I_C = 0 \text{ A}$	-	-	1	mA
$V_{CE(SAT)}$	Collector-Emitter saturation Voltage (*)	$I_C = 20 \text{ A}$, $I_B = 2 \text{ A}$	-	-	0.6	V
		$I_C = 40 \text{ A}$, $I_B = 4 \text{ A}$	-	-	1.4	
$V_{BE(SAT)}$	Base-Emitter saturation Voltage (*)	$I_C = 40 \text{ A}$, $I_B = 4 \text{ A}$	-	-	2.1	
f_T	Transition frequency	$V_{CE} = 60 \text{ V}$, $I_C = 1 \text{ A}$ $f = 15 \text{ MHz}$	-	8	-	MHz

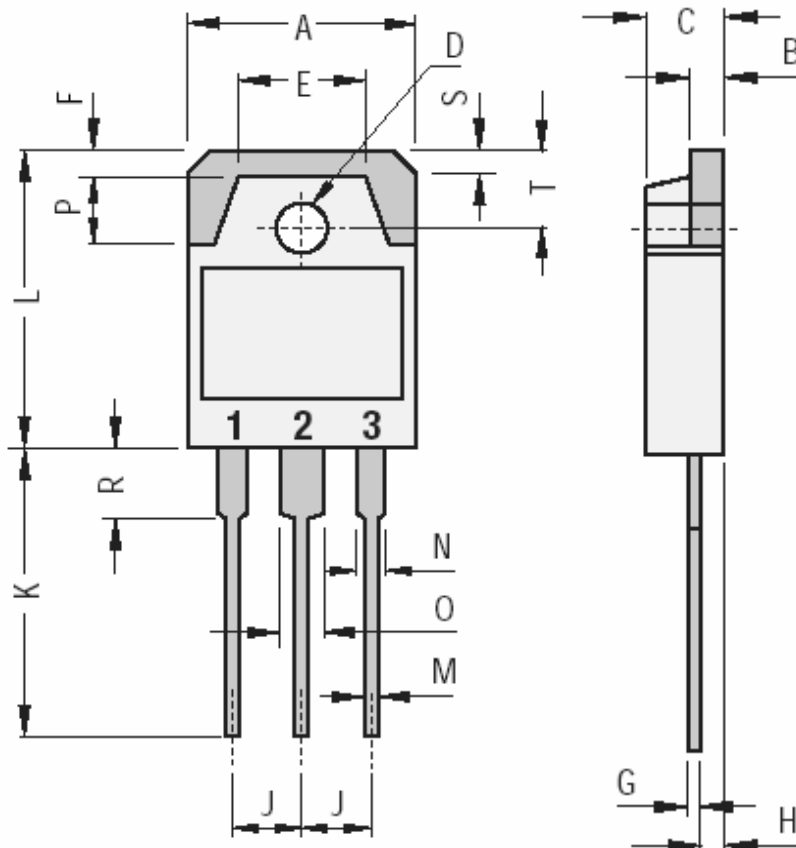
SWITCHING TIMES

Symbol	Ratings	Test Condition(s)	Min	Typ	Mx	Unit
t_{on}	Turn-on time	$I_C = 40 \text{ A}$, $I_{B1} = -I_{B2} = 4 \text{ A}$ $V_{CC} = 60 \text{ V}$	-	1.2	1.5	μs
t_s	Storage time		-	0.6	1.1	
t_f	File time		-	0.17	0.25	

(*) Pulse Duration = 300 μs , Duty Cycle $\leq 1.5\%$

NPN BUW48

MECHANICAL DATA CASE TO3PN Non Isolated Plastic Package



DIMENSIONS (mm)		
	Min.	Max.
A	15.20	1600
B	1.90	2.10
C	4.60	5.00
D	3.10	3.30
E		9.60
F		2.00
G	0.35	0.55
H		1.40
J	5.35	5.55
K	20.00	
L	19.60	20.20
M	0.95	1.25
N		2.00
O		3.00
P		4.00
R		4.00
S		1.80
T	4.80	5.20

Pin 1 :	Base
Pin 2 :	Collector
Pin 3 :	Emitter
Package	Collector

Revised September 2012

Information furnished is believed to be accurate and reliable. However, Comset Semiconductors assumes no responsibility for the consequences of use of such information nor for any infringement of patents or other rights of third parties which may result from its use. Data are subject to change without notice. Comset Semiconductors makes no warranty, representation or guarantee regarding the suitability of its products for any particular purpose, nor does Comset Semiconductors assume any liability arising out of the application or use of any product and specifically disclaims any and all liability, including without limitation consequential or incidental damages. Comset Semiconductors' products are not authorized for use as critical components in life support devices or systems.