

PLEASE CHECK WWW.MOLEX.COM FOR LATEST PART INFORMATION

Part Number: [0491160211](#)
Status: **Active**
Description: 2.54mm (.100") Pitch 2 Way Female Housing Assemblies, Secondary Locking, Crash Sensor

Documents:

[Drawing \(PDF\)](#) [RoHS Certificate of Compliance \(PDF\)](#)
[Product Specification PS-49116-001 \(PDF\)](#)

General

Product Family Crimp Housings
 Series [49116](#)
 Product Name N/A

Physical

Circuits (maximum) 2
 Color - Resin Black, Natural
 Gender Female
 Glow-Wire Compliant No
 Keying to Mating Part None
 Lock to Mating Part Yes
 Material - Resin Polyester
 Number of Rows 1
 Packaging Type Bag
 Panel Mount No
 Pitch - Mating Interface (in) 0.100 In
 Pitch - Mating Interface (mm) 2.54 mm
 Pitch - Term. Interface (in) 0.100 In
 Pitch - Term. Interface (mm) 2.54 mm
 Polarized to Mating Part Yes
 Ports 1
 Stackable No
 Temperature Range - Operating -40°C to +85°C

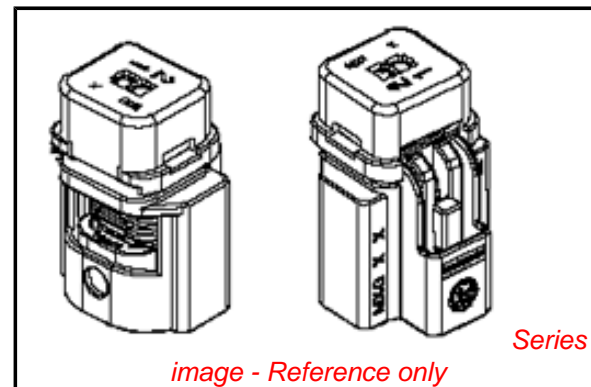
Electrical

Current - Maximum per Contact 10A

Material Info

Reference - Drawing Numbers

Product Specification PS-49116-001
 Sales Drawing SD-49116-001



EU RoHS

ELV and RoHS Compliant
REACH SVHC
 Not Reviewed
Halogen-Free Status
 Not Reviewed

China RoHS



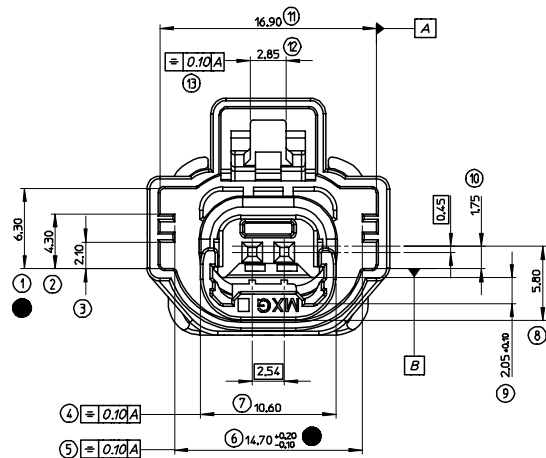
Need more information on product environmental compliance?

Email productcompliance@molex.com
 For a multiple part number RoHS Certificate of Compliance, [click here](#)

Please visit the [Contact Us](#) section for any non-product compliance questions.

Search Parts in this Series
[49116Series](#)

Use With
[98658 Female Crimp Terminal](#)

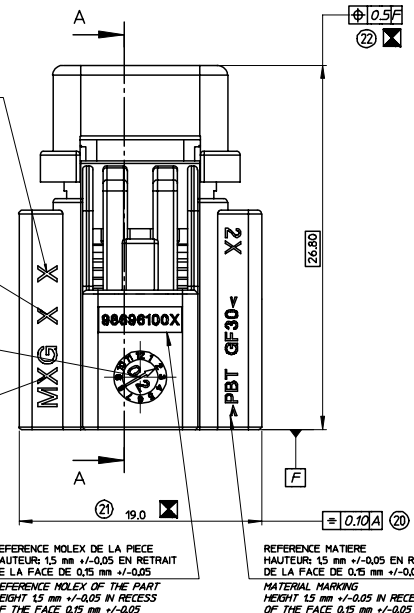


INDICE DE REVISION DU PLAN CLIENT VERSION NON ETANCHE
 DE LA PIECE, HAUTEUR: 15 mm +/-0.05 EN RETRAIT
 DE LA FACE DE 0,15 mm +/-0.05

INDICE DE CAVITE MOULE
 HAUTEUR: 15 mm +/-0.05 EN RETRAIT
 DE LA FACE DE 0,15 mm +/-0.05

DATEUR #4 EN RETRAIT
 DE LA FACE DE 0,15 mm +/-0.05

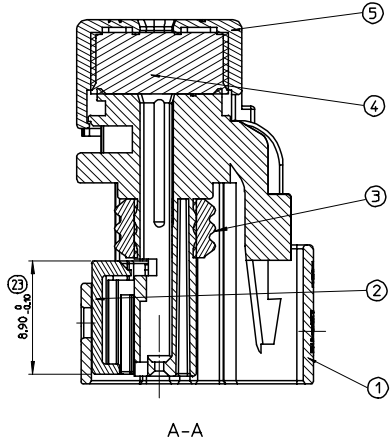
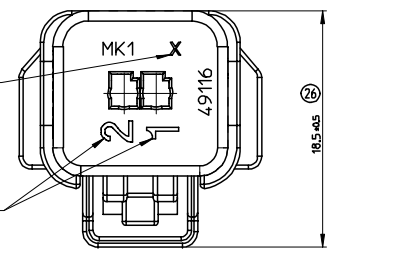
LOGO MOLEX HAUTEUR: 15 mm +/-0.05
 EN RETRAIT DE LA FACE DE 0,15 mm +/-0.05



REFERENCE MOLEX DE LA PIECE
 HAUTEUR: 15 mm +/-0.05 EN RETRAIT
 DE LA FACE DE 0,15 mm +/-0.05

INDICE DE REVISION DU PLAN CLIENT VERSION ETANCHE
 HAUTEUR: 15 mm +/-0.05 EN RETRAIT
 DE LA FACE DE 0,15 mm +/-0.05

NUMERO CAVITE HAUTEUR 15 mm +/-0.05
 EN RETRAIT DE LA FACE DE 0,15 mm +/-0.05



NOMENCLATURE / PART LIST					
REF. POS.	QTE DTY	DESIGNATION DESIGNATION	COULEUR COLOUR	MATIERE MATERIAL	REFERENCE MOLEX PART NUMBER MOLEX
1	1	BOITIER / HOUSING	NOIR / BLACK	PBT GF 30%	98696-0002
2	1	VERROU SECONDAIRE / SECONDARY LOCKING	VERT / GREEN	PBT GF 30%	98594-0001
3	1	JOINT INTERFACIAL / PERIMETER SEAL		SILICONE	49116-0003
4	1	JOINT GEL / GEL SEAL	BLEU / BLUE	GEL SILICONE	49116-0002
5	1	GRILLE DE COMPRESSION / REAR SEAL COVER	NOIR / BLACK	PBT GF 30%	49116-0281
		PORTE-CLIPS ASSEMBLE FEMALE MODULE ASSEMBLED			49116-0211

PRODUITS ASSOCIES / ASSOCIATED PARTS		
DESIGNATION	REF. MOLEX / MOLEX P/N	
CLIP MOX 0,635 ETAME FIL / FEMALE TERMINAL TIN PLATED MOX 0,635 WIRE	98658-1211 and 98658-1212	
MISE EN OEUVRE / SPECIFICATION FILE		
CAHIER DE PRECONISATIONS N° : / APPLICATION SPECIFICATION N° :		AS-98696-001

PRINCIPALES PROPRIETES MECANQUES MAIN MECHANICAL PROPERTIES	VALEURS VALUES
FORCE D'INSERTION DES CLIPS FEMALE TERMINAL INSERTION FORCE	5N MAX
EFFORT DE FERMETURE DU VERROU SECONDAIRE LOCKING FORCE OF SECONDARY LOCKING	F < 30N
EFFORT DE MONTAGE DU CONNECTEUR SUR INTERFACE CONNECTOR MATING FORCE ON INTERFACE	60N MAX
FEMALE TERMINAL RETENTION FORCE	40N, MIN.
TENUE DES CLIPS AUX EFFORTS D'ARRACHEMENTS CONNECTOR RETENTION FORCE ON INTERFACE	95N, MIN.
CLASSE DE TEMPERATURE OPERATING TEMPERATURE	- CLASSE 1 - (-40°C/+85°C)

☒ - REPERAGE DES DIMENSIONS POUR LE RAPPORT D'INSPECTION
 ☒ - DIMENSIONS MARKING FOR THE INSPECTION REPORT

SPECIFICATION MOLEX DE CONDITIONNEMENT N° : PP-98696-002
 MOLEX PACKAGING SPECIFICATION N° : PP-98696-002

☒ INDICATION DIMENSIONS S.P.C
 DENOTES S.P.C DIMENSIONS
 ☒ INDICATION DIMENSIONS CRITIQUES
 DENOTES CRITICAL DIMENSIONS
 ● INDICATION DIMENSIONS FONCTIONNELLES
 DENOTES FUNCTIONAL DIMENSIONS
 QUANTITE PAR FEUILLE INDIVIDUELLE
 QUANTITY PER INDIVIDUAL SHEET
 ☒ = 2 ☒ = 0 ● = 2

