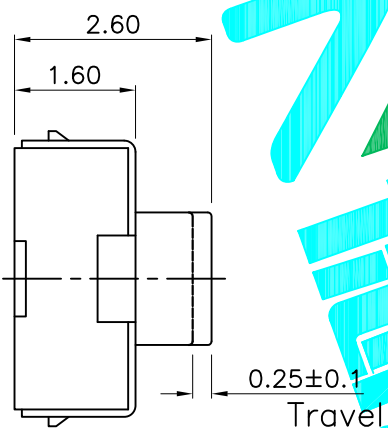
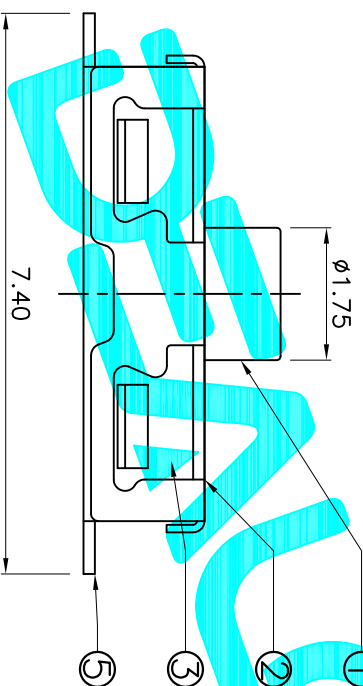


Circuit diagram



PCB Layout (Pattern Side)



NO.1	
PART NO	vigor
XXX	90±30
XXX	130±30
XXX	180±30
XXX	250±30
XXX	350±50

ITEM	PART NAME	QTY.	MATERIAL	FINISHING
⑤	Terminal	2	Phosphor Bronze	Plating silver
④	Contact	2	F. Ag/SUS	Plating silver
③	Base	1	Nylon	Black
②	Cover	1	SUS	Natural
①	Keystroke	1	Silica gel	Blue

APPROVALS		DATE	TITLE:
DRAWN	G.M.Chen	2015/5/19	TACT SWITCHES
CHECKED			
APPROVALS			

ECN NO.	REV.	DATE.	DESCRIPTION.	CHANGE.	CHECK.	APPRO.	TOLERANCES ARE	ANGLE	UNIT:	SCALE:	SHEET	PROJ.
	A		NEW				30 ^{+0.15} 10 ^{+0.20} 5 ^{+0.10}	±2°	mm	1:1	1 of 1	

DEALON 德之隆
ELECTRONICS CO., LTD