

Features

- EE Programmable 65,536 x 1-, 131,072 x 1-, 262,144 x 1-, 524,288 x 1-, 1,048,576 x 1-, 2,097,152 x 1-, and 4,194,304 x 1-bit Serial Memories Designed to Store Configuration Programs for Field Programmable Gate Arrays (FPGAs)
- Supports both 3.3V and 5.0V Operating Voltage Applications
- In-System Programmable (ISP) via Two-Wire Bus
- Simple Interface to SRAM FPGAs
- Compatible with Atmel AT6000, AT40K and AT94K Devices, Altera FLEX[®], APEX[™] Devices, Lucent ORCA[®], Xilinx XC3000[™], XC4000[™], XC5200[™], Spartan[®], Virtex[®] FPGAs
- Cascadable Read-back to Support Additional Configurations or Higher-density Arrays
- Very Low-power CMOS EEPROM Process
- Programmable Reset Polarity
- Available in 6 mm x 6 mm x 1 mm 8-lead LAP (Pin-compatible with 8-lead SOIC/VOIC Packages), 8-lead PDIP, 8-lead SOIC, 20-lead PLCC, 20-lead SOIC, 44-lead PLCC and 44-lead TQFP Packages
- Emulation of Atmel's AT24CXXX Serial EEPROMs
- Low-power Standby Mode
- High-reliability
 - Endurance: 100,000 Write Cycles
 - Data Retention: 90 Years for Industrial Parts (at 85°C) and 190 Years for Commercial Parts (at 70°C)

Description

The AT17LV series FPGA Configuration EEPROMs (Configurators) provide an easy-to-use, cost-effective configuration memory for Field Programmable Gate Arrays. The AT17LV series device is packaged in the 8-lead LAP, 8-lead PDIP, 8-lead SOIC, 20-lead PLCC, 20-lead SOIC, 44-lead PLCC and 44-lead TQFP, see Table 1. The AT17LV series Configurators uses a simple serial-access procedure to configure one or more FPGA devices. The user can select the polarity of the reset function by programming four EEPROM bytes. These devices also support a write-protection mechanism within its programming mode.

The AT17LV series configurators can be programmed with industry-standard programmers, Atmel's ATDH2200E Programming Kit or Atmel's ATDH2225 ISP Cable.

Table 1. AT17LV Series Packages

| Package | AT17LV65/ AT17LV128/ AT17LV256 | AT17LV512/ AT17LV010 | AT17LV002 | AT17LV040 |
|--------------|--------------------------------------|-------------------------------|-------------------------------|-----------|
| 8-lead LAP | Yes | Yes | Yes | (3) |
| 8-lead PDIP | Yes | Yes | – | – |
| 8-lead SOIC | Yes | Use 8-lead LAP ⁽¹⁾ | Use 8-lead LAP ⁽¹⁾ | (3) |
| 20-lead PLCC | Yes | Yes | Yes | – |
| 20-lead SOIC | Yes ⁽²⁾ | Yes ⁽²⁾ | Yes ⁽²⁾ | – |
| 44-lead PLCC | – | – | Yes | Yes |
| 44-lead TQFP | – | – | Yes | Yes |

- Notes:
1. The 8-lead LAP package has the same footprint as the 8-lead SOIC. Since an 8-lead SOIC package is not available for the AT17LV512/010/002 devices, it is possible to use an 8-lead LAP package instead.
 2. The pinout for the AT17LV65/128/256 devices is not pin-for-pin compatible with the AT17LV512/010/002 devices.
 3. Refer to the AT17Fxxx datasheet, available on the Atmel web site.



FPGA Configuration EEPROM Memory

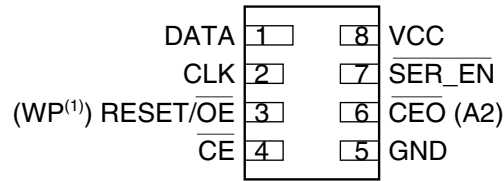
AT17LV65
AT17LV128
AT17LV256
AT17LV512
AT17LV010
AT17LV002
AT17LV040

3.3V and 5V System Support

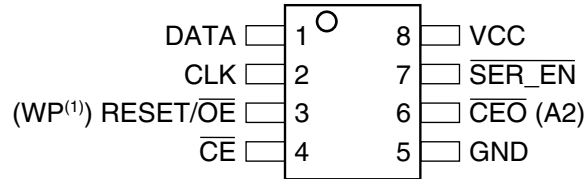


Pin Configuration

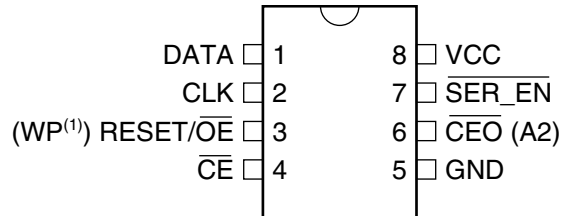
8-lead LAP



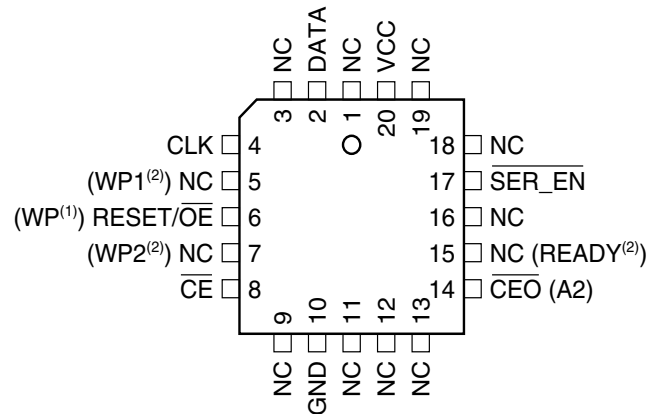
8-lead SOIC



8-lead PDIP

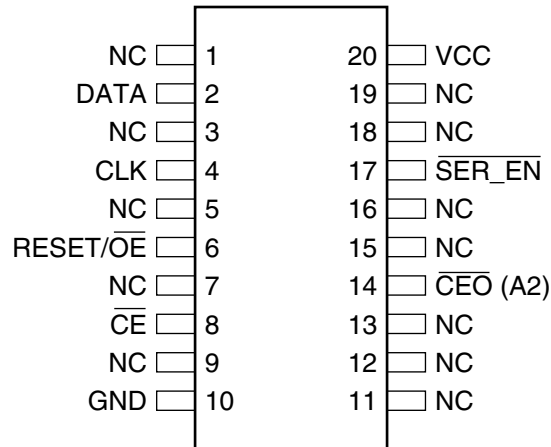


20-lead PLCC



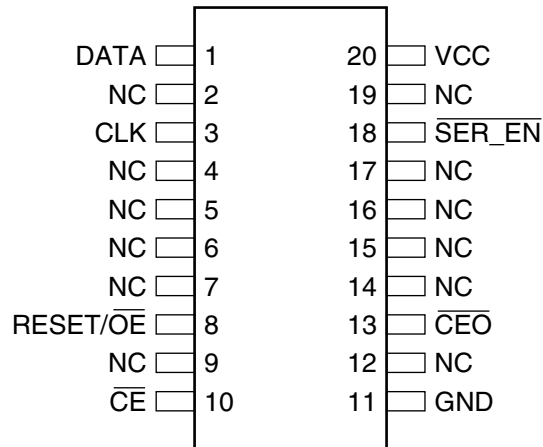
- Notes: 1. This pin is only available on AT17LV65/128/256 devices.
 2. This pin is only available on AT17LV512/010/002 devices.

20-lead SOIC⁽¹⁾



Note: 1. This pinout only applies to AT17LV65/128/256 devices.

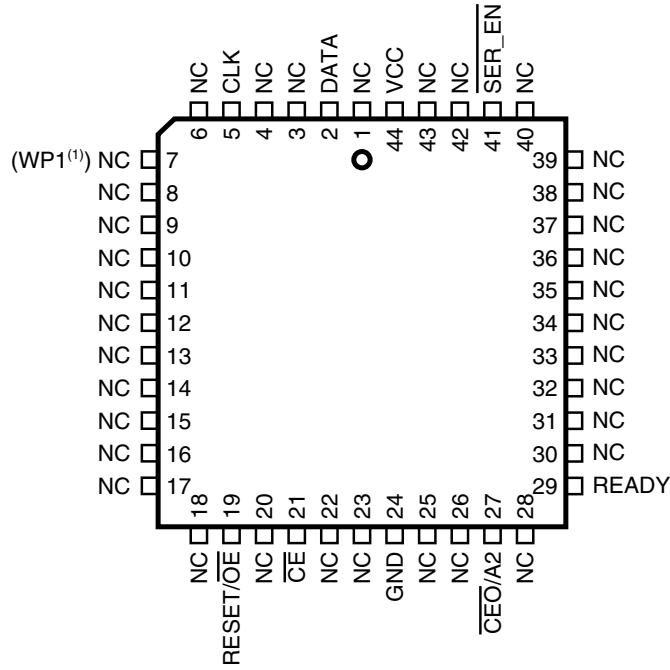
20-lead SOIC⁽¹⁾



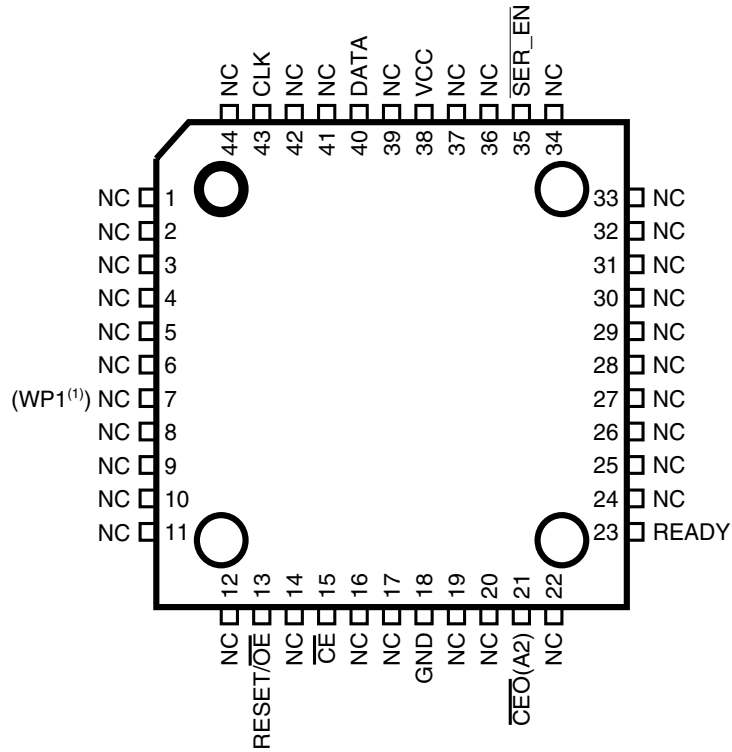
Note: 1. This pinout only applies to AT17LV512/010/002 devices.



44 PLCC

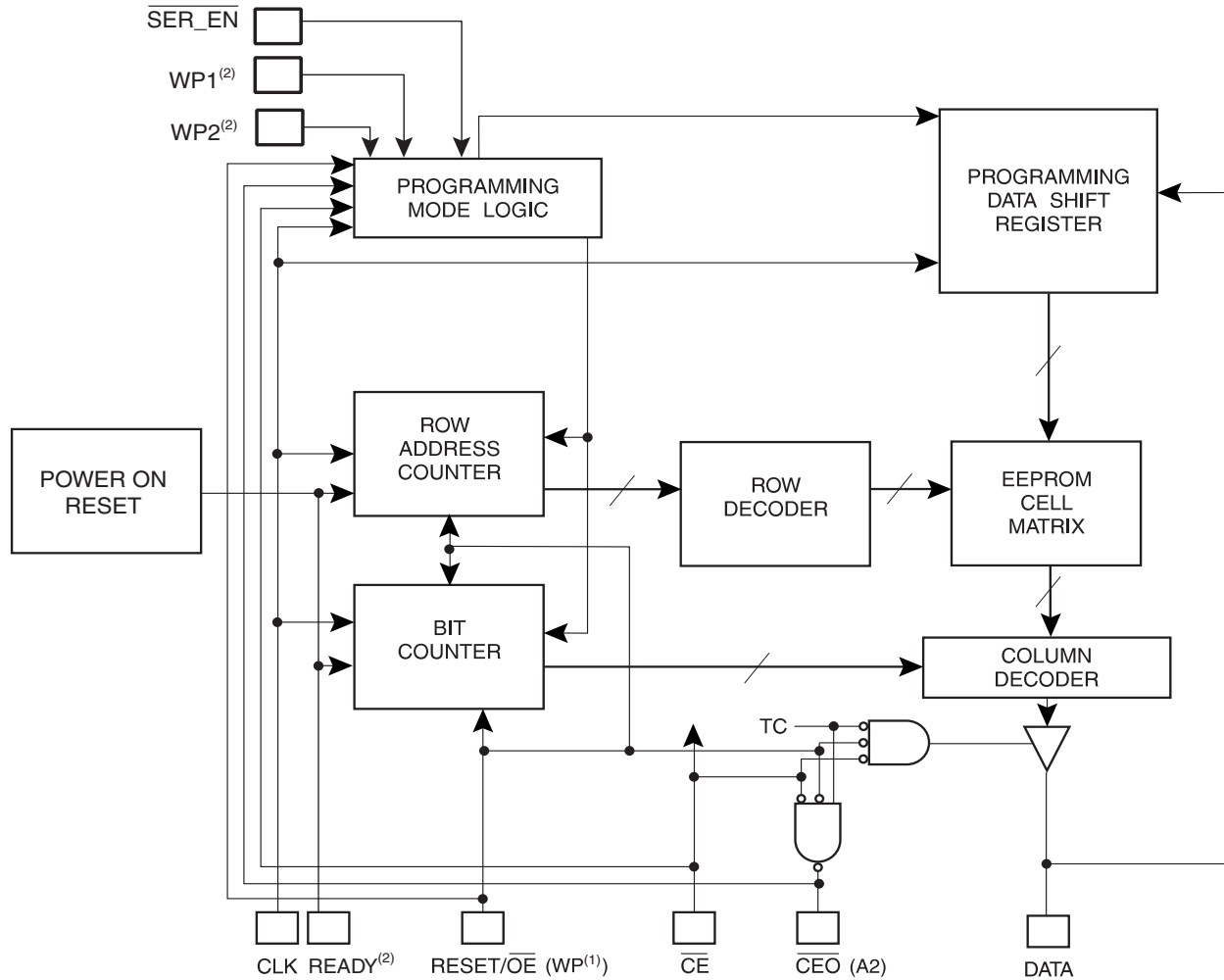


44 TQFP



Note: 1. This pin is only available on AT17LV002 devices.

Block Diagram



- Notes: 1. This pin is only available on AT17LV65/128/256 devices.
 2. This pin is only available on AT17LV512/010/002 devices.

Device Description

The control signals for the configuration EEPROM (\overline{CE} , $\overline{RESET/OE}$ and $CCLK$) interface directly with the FPGA device control signals. All FPGA devices can control the entire configuration process and retrieve data from the configuration EEPROM without requiring an external intelligent controller.

The configuration EEPROM $\overline{RESET/OE}$ and \overline{CE} pins control the tri-state buffer on the DATA output pin and enable the address counter. When $\overline{RESET/OE}$ is driven High, the configuration EEPROM resets its address counter and tri-states its DATA pin. The \overline{CE} pin also controls the output of the AT17LV series configurator. If \overline{CE} is held High after the $\overline{RESET/OE}$ reset pulse, the counter is disabled and the DATA output pin is tri-stated. When \overline{OE} is subsequently driven Low, the counter and the DATA output pin are enabled. When $\overline{RESET/OE}$ is driven High again, the address counter is reset and the DATA output pin is tri-stated, regardless of the state of \overline{CE} .

When the configurator has driven out all of its data and \overline{CEO} is driven Low, the device tri-states the DATA pin to avoid contention with other configurators. Upon power-up, the address counter is automatically reset.

This is the default setting for the device. Since almost all FPGAs use RESET Low and OE High, this document will describe $\overline{RESET/OE}$.

Pin Description

| Name | I/O | AT17LV65/ AT17LV128/ AT17LV256 | | | AT17LV512/ AT17LV010 | | | AT17LV002 | | | | | AT17LV040 | |
|-----------------|---------|--------------------------------------|------------|------------|-------------------------|------------|------------|---------------------------|------------|------------|------------|------------|------------|------------|
| | | 8 DIP/ LAP/ SOIC | 20 PLCC | 20 SOIC | 8 DIP/ LAP | 20 PLCC | 20 SOIC | 8 DIP/ LAP/ SOIC | 20 PLCC | 20 SOIC | 44 PLCC | 44 TQFP | 44 PLCC | 44 TQFP |
| DATA | I/ O | 1 | 2 | 2 | 1 | 2 | 1 | 1 | 2 | 1 | 2 | 40 | 2 | 40 |
| CLK | I | 2 | 4 | 4 | 2 | 4 | 3 | 2 | 4 | 3 | 5 | 43 | 5 | 43 |
| WP1 | I | – | – | – | – | 5 | – | – | 5 | – | – | – | – | – |
| RESET/OE | I | 3 | 6 | 6 | 3 | 6 | 8 | 3 | 6 | 8 | 19 | 13 | 19 | 13 |
| WP2 | I | | | | – | 7 | – | – | 7 | – | – | – | – | – |
| CE | I | 4 | 8 | 8 | 4 | 8 | 10 | 4 | 8 | 10 | 21 | 15 | 21 | 15 |
| GND | | 5 | 10 | 10 | 5 | 10 | 11 | 5 | 10 | 11 | 24 | 18 | 24 | 18 |
| CEO | O | | | | | | 13 | | | 13 | | | | |
| A2 | I | 6 | 14 | 14 | 6 | 14 | – | 6 | 14 | – | 27 | 21 | 27 | 21 |
| READY | O | – | – | – | – | 15 | – | – | 15 | – | 29 | 23 | 29 | 23 |
| SER_EN | I | 7 | 17 | 17 | 7 | 17 | 18 | 7 | 17 | 18 | 41 | 35 | 41 | 35 |
| V _{CC} | | 8 | 20 | 20 | 8 | 20 | 20 | 8 | 20 | 20 | 44 | 38 | 44 | 38 |

DATA

Three-state DATA output for configuration. Open-collector bi-directional pin for programming.

CLK

Clock input. Used to increment the internal address and bit counter for reading and programming.

WP1

WRITE PROTECT (1). Used to protect portions of memory during programming. Disabled by default due to internal pull-down resistor. This input pin is not used during FPGA loading operations. This pin is only available on AT17LV512/010/002 devices.

RESET/OE

Output Enable (active High) and RESET (active Low) when SER_EN is High. A Low level on RESET/OE resets both the address and bit counters. A High level (with CE Low) enables the data output driver. The logic polarity of this input is programmable as either RESET/OE or RESE \overline{T} /OE. For most applications, RESET should be programmed active Low. This document describes the pin as RESE \overline{T} /OE.

WP

Write protect (WP) input (when CE is Low) during programming only (SER_EN Low). When WP is Low, the entire memory can be written. When WP is enabled (High), the lowest block of the memory cannot be written. This pin is only available on AT17LV65/128/256 devices.

WP2

WRITE PROTECT (2). Used to protect portions of memory during programming. Disabled by default due to internal pull-down resistor. This input pin is not used during FPGA loading operations. This pin is only available on AT17LV512/010 devices.

| | |
|---|---|
| $\overline{\text{CE}}$ | Chip Enable input (active Low). A Low level (with OE High) allows CLK to increment the address counter and enables the data output driver. A High level on $\overline{\text{CE}}$ disables both the address and bit counters and forces the device into a low-power standby mode. Note that this pin will <i>not</i> enable/disable the device in the Two-Wire Serial Programming mode ($\overline{\text{SER_EN}}$ Low). |
| GND | Ground pin. A 0.2 μF decoupling capacitor between V_{CC} and GND is recommended. |
| $\overline{\text{CEO}}$ | Chip Enable Output (active Low). This output goes Low when the address counter has reached its maximum value. In a daisy chain of AT17LV series devices, the $\overline{\text{CEO}}$ pin of one device must be connected to the $\overline{\text{CE}}$ input of the next device in the chain. It will stay Low as long as $\overline{\text{CE}}$ is Low and OE is High. It will then follow CE until OE goes Low; thereafter, $\overline{\text{CEO}}$ will stay High until the entire EEPROM is read again. |
| A2 | Device selection input, A2. This is used to enable (or select) the device during programming (i.e., when $\overline{\text{SER_EN}}$ is Low). A2 has an internal pull-down resistor. |
| READY | Open collector reset state indicator. Driven Low during power-up reset, released when power-up is complete. It is recommended to use a 4.7 k Ω pull-up resistor when this pin is used. |
| $\overline{\text{SER_EN}}$ | Serial enable must be held High during FPGA loading operations. Bringing $\overline{\text{SER_EN}}$ Low enables the Two-Wire Serial Programming Mode. For non-ISP applications, $\overline{\text{SER_EN}}$ should be tied to V_{CC} . |
| V_{CC} | 3.3V ($\pm 10\%$) and 5.0V ($\pm 5\%$ Commercial, $\pm 10\%$ Industrial) power supply pin. |

FPGA Master Serial Mode Summary

The I/O and logic functions of any SRAM-based FPGA are established by a configuration program. The program is loaded either automatically upon power-up, or on command, depending on the state of the FPGA mode pins. In Master mode, the FPGA automatically loads the configuration program from an external memory. The AT17LV Serial Configuration EEPROM has been designed for compatibility with the Master Serial mode.

This document discusses the Atmel AT40K, AT40KAL and AT94KAL applications as well as Xilinx applications.

Control of Configuration

Most connections between the FPGA device and the AT17LV Serial EEPROM are simple and self-explanatory.

- The DATA output of the AT17LV series configurator drives DIN of the FPGA devices.
- The master FPGA CCLK output drives the CLK input of the AT17LV series configurator.
- The $\overline{\text{CEO}}$ output of any AT17LV series configurator drives the $\overline{\text{CE}}$ input of the next configurator in a cascaded chain of EEPROMs.
- $\overline{\text{SER_EN}}$ must be connected to V_{CC} (except during ISP).
- The READY⁽¹⁾ pin is available as an open-collector indicator of the device's reset status; it is driven Low while the device is in its power-on reset cycle and released (tri-stated) when the cycle is complete.

Note: 1. This pin is not available for the AT17LV65/128/256 devices.

Cascading Serial Configuration EEPROMs

For multiple FPGAs configured as a daisy-chain, or for FPGAs requiring larger configuration memories, cascaded configurators provide additional memory.

After the last bit from the first configurator is read, the clock signal to the configurator asserts its $\overline{\text{CEO}}$ output Low and disables its DATA line driver. The second configurator recognizes the Low level on its $\overline{\text{CE}}$ input and enables its DATA output.

After configuration is complete, the address counters of all cascaded configurators are reset if the $\overline{\text{RESET/OE}}$ on each configurator is driven to its active (Low) level.

If the address counters are not to be reset upon completion, then the $\overline{\text{RESET/OE}}$ input can be tied to its inactive (High) level.

AT17LV Series Reset Polarity

The AT17LV series configurator allows the user to program the reset polarity as either $\overline{\text{RESET/OE}}$ or RESET/OE . This feature is supported by industry-standard programmer algorithms.

Programming Mode

The programming mode is entered by bringing $\overline{\text{SER_EN}}$ Low. In this mode the chip can be programmed by the Two-Wire serial bus. The programming is done at V_{CC} supply only. Programming super voltages are generated inside the chip.

Standby Mode

The AT17LV series configurators enter a low-power standby mode whenever $\overline{\text{CE}}$ is asserted High. In this mode, the AT17LV65/128/256 configurator consumes less than 50 μA of current at 3.3V (100 μA for the AT17LV512/010 and 200 μA for the AT17LV002/040). The output remains in a high-impedance state regardless of the state of the $\overline{\text{OE}}$ input.

Absolute Maximum Ratings*

| | |
|---|--------------------------------|
| Operating Temperature..... | -40°C to +85°C |
| Storage Temperature..... | -65°C to +150°C |
| Voltage on Any Pin with Respect to Ground..... | -0.1V to V _{CC} +0.5V |
| Supply Voltage (V _{CC})..... | -0.5V to +7.0V |
| Maximum Soldering Temp. (10 sec. @ 1/16 in.)..... | 260°C |
| ESD (R _{ZAP} = 1.5K, C _{ZAP} = 100 pF)..... | 2000V |

*NOTICE: Stresses beyond those listed under Absolute Maximum Ratings may cause permanent damage to the device. This is a stress rating only and functional operation of the device at these or any other conditions beyond those listed under operating conditions is not implied. Exposure to Absolute Maximum Rating conditions for extended periods of time may affect device reliability.

Operating Conditions

| Symbol | Description | | 3.3V | | 5V | | Units |
|-----------------|-------------|--|------|-----|------|------|-------|
| | | | Min | Max | Min | Max | |
| V _{CC} | Commercial | Supply voltage relative to GND -0°C to +70°C | 3.0 | 3.6 | 4.75 | 5.25 | V |
| | Industrial | Supply voltage relative to GND -40°C to +85°C | 3.0 | 3.6 | 4.5 | 5.5 | V |





DC Characteristics

$V_{CC} = 3.3V \pm 10\%$

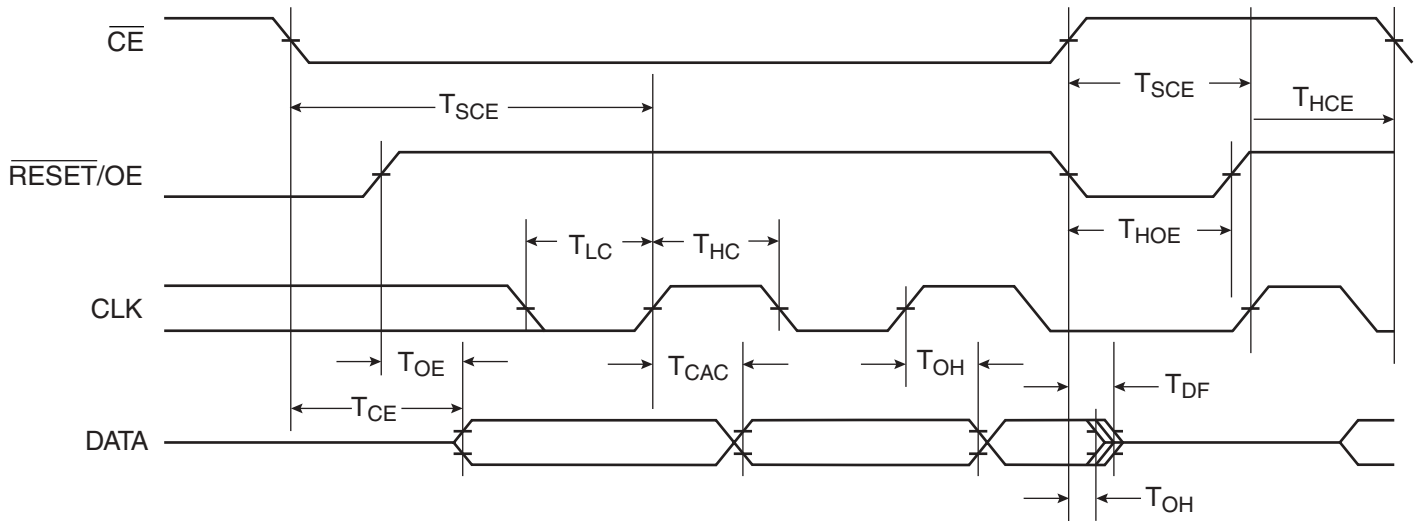
| Symbol | Description | AT17LV65/ AT17LV128/ AT17LV256 | | AT17LV512/ AT17LV010 | | AT17LV002/ AT17LV040 | | Units |
|-----------|---|--------------------------------------|----------|-------------------------|----------|-------------------------|----------|---------|
| | | Min | Max | Min | Max | Min | Max | |
| V_{IH} | High-level Input Voltage | 2.0 | V_{CC} | 2.0 | V_{CC} | 2.0 | V_{CC} | V |
| V_{IL} | Low-level Input Voltage | 0 | 0.8 | 0 | 0.8 | 0 | 0.8 | V |
| V_{OH} | High-level Output Voltage ($I_{OH} = -2.5$ mA) | 2.4 | | 2.4 | | 2.4 | | V |
| V_{OL} | Low-level Output Voltage ($I_{OL} = +3$ mA) | | | | | | | |
| V_{OH} | High-level Output Voltage ($I_{OH} = -2$ mA) | 2.4 | | 2.4 | | 2.4 | | V |
| V_{OL} | Low-level Output Voltage ($I_{OL} = +3$ mA) | | | | | | | |
| I_{CCA} | Supply Current, Active Mode | | 5 | | 5 | | 5 | mA |
| I_L | Input or Output Leakage Current ($V_{IN} = V_{CC}$ or GND) | -10 | 10 | -10 | 10 | -10 | 10 | μ A |
| I_{CCS} | Supply Current, Standby Mode | Commercial | 50 | 100 | 150 | μ A | | |
| | | Industrial | 100 | 100 | 150 | μ A | | |

DC Characteristics

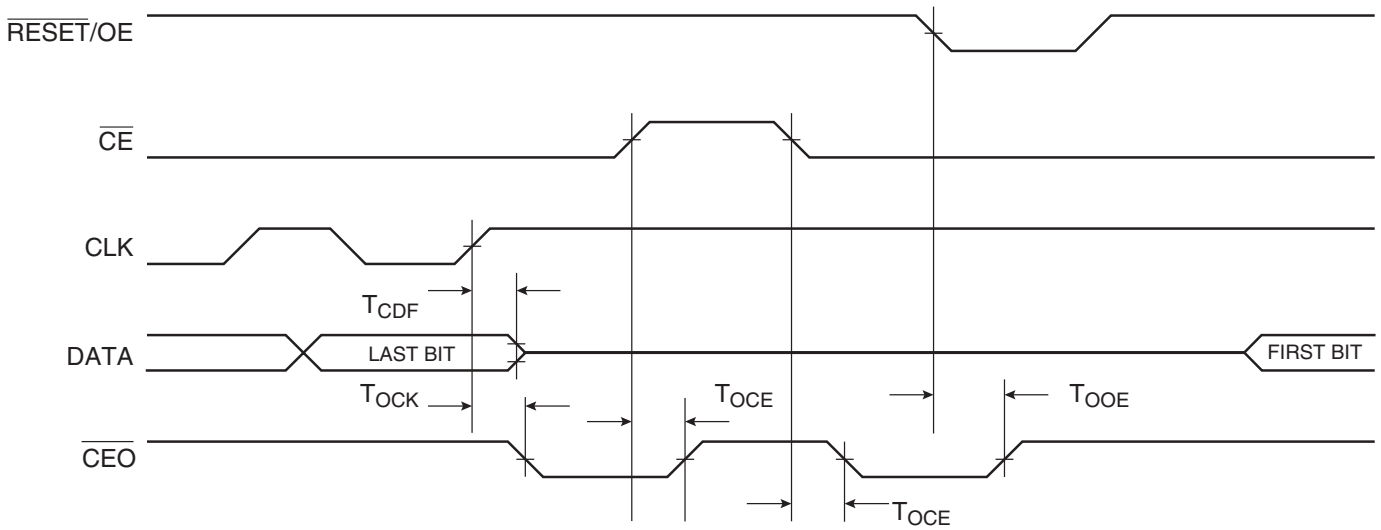
$V_{CC} = 5V \pm 5\%$ Commercial; $V_{CC} = 5V \pm 10\%$ Industrial

| Symbol | Description | AT17LV65/ AT17LV128/ AT17LV256 | | AT17LV512/ AT17LV010 | | AT17LV002/ AT17LV040 | | Units |
|-----------|---|--------------------------------------|----------|-------------------------|----------|-------------------------|----------|---------|
| | | Min | Max | Min | Max | Min | Max | |
| V_{IH} | High-level Input Voltage | 2.0 | V_{CC} | 2.0 | V_{CC} | 2.0 | V_{CC} | V |
| V_{IL} | Low-level Input Voltage | 0 | 0.8 | 0 | 0.8 | 0 | 0.8 | V |
| V_{OH} | High-level Output Voltage ($I_{OH} = -2.5$ mA) | 3.7 | | 3.86 | | 3.86 | | V |
| V_{OL} | Low-level Output Voltage ($I_{OL} = +3$ mA) | | | | | | | |
| V_{OH} | High-level Output Voltage ($I_{OH} = -2$ mA) | 3.6 | | 3.76 | | 3.76 | | V |
| V_{OL} | Low-level Output Voltage ($I_{OL} = +3$ mA) | | | | | | | |
| I_{CCA} | Supply Current, Active Mode | | 10 | | 10 | | 10 | mA |
| I_L | Input or Output Leakage Current ($V_{IN} = V_{CC}$ or GND) | -10 | 10 | -10 | 10 | -10 | 10 | μ A |
| I_{CCS} | Supply Current, Standby Mode | Commercial | 75 | 200 | 350 | μ A | | |
| | | Industrial | 150 | 200 | 350 | μ A | | |

AC Characteristics



AC Characteristics when Cascading





AC Characteristics

$V_{CC} = 3.3V \pm 10\%$

| Symbol | Description | AT17LV65/128/256 | | | | AT17LV512/010/002/040 | | | | Units |
|-----------------|--|------------------|-----|------------|-----|-----------------------|-----|------------|-----|-------|
| | | Commercial | | Industrial | | Commercial | | Industrial | | |
| | | Min | Max | Min | Max | Min | Max | Min | Max | |
| $T_{OE}^{(1)}$ | OE to Data Delay | | 50 | | 55 | | 50 | | 55 | ns |
| $T_{CE}^{(1)}$ | \overline{CE} to Data Delay | | 60 | | 60 | | 55 | | 60 | ns |
| $T_{CAC}^{(1)}$ | CLK to Data Delay | | 75 | | 80 | | 55 | | 60 | ns |
| T_{OH} | Data Hold from \overline{CE} , OE, or CLK | 0 | | 0 | | 0 | | 0 | | ns |
| $T_{DF}^{(2)}$ | \overline{CE} or OE to Data Float Delay | | 55 | | 55 | | 50 | | 50 | ns |
| T_{LC} | CLK Low Time | 25 | | 25 | | 25 | | 25 | | ns |
| T_{HC} | CLK High Time | 25 | | 25 | | 25 | | 25 | | ns |
| T_{SCE} | \overline{CE} Setup Time to CLK (to guarantee proper counting) | 35 | | 60 | | 30 | | 35 | | ns |
| T_{HCE} | \overline{CE} Hold Time from CLK (to guarantee proper counting) | 0 | | 0 | | 0 | | 0 | | ns |
| T_{HOE} | OE High Time (guarantees counter is reset) | 25 | | 25 | | 25 | | 25 | | ns |
| F_{MAX} | Maximum Clock Frequency | | 10 | | 10 | | 15 | | 10 | MHz |

- Notes: 1. AC test lead = 50 pF.
2. Float delays are measured with 5 pF AC loads. Transition is measured ± 200 mV from steady-state active levels.

AC Characteristics when Cascading

$V_{CC} = 3.3V \pm 10\%$

| Symbol | Description | AT17LV65/128/256 | | | | AT17LV512/010/002/040 | | | | Units |
|-----------------|---|------------------|-----|------------|-----|-----------------------|------|------------|-----|-------|
| | | Commercial | | Industrial | | Commercial | | Industrial | | |
| | | Min | Max | Min | Max | Min | Max | Min | Max | |
| $T_{CDF}^{(2)}$ | CLK to Data Float Delay | | 60 | | 60 | | 50 | | 50 | ns |
| $T_{OCK}^{(1)}$ | CLK to \overline{CEO} Delay | | 55 | | 60 | | 50 | | 55 | ns |
| $T_{OCE}^{(1)}$ | \overline{CE} to \overline{CEO} Delay | | 55 | | 60 | | 35 | | 40 | ns |
| $T_{OOE}^{(1)}$ | \overline{RESET}/OE to \overline{CEO} Delay | | 40 | | 45 | | 35 | | 35 | ns |
| F_{MAX} | Maximum Clock Frequency | | 8 | | 8 | | 12.5 | | 10 | MHz |

- Notes: 1. AC test lead = 50 pF.
2. Float delays are measured with 5 pF AC loads. Transition is measured ± 200 mV from steady-state active levels.

AC Characteristics

$V_{CC} = 5V \pm 5\%$ Commercial; $V_{CC} = 5V \pm 10\%$ Industrial

| Symbol | Description | AT17LV65/128/256 | | | | AT17LV512/010/002/040 | | | | Units |
|-----------------|---|------------------|------|------------|------|-----------------------|-----|------------|-----|-------|
| | | Commercial | | Industrial | | Commercial | | Industrial | | |
| | | Min | Max | Min | Max | Min | Max | Min | Max | |
| $T_{OE}^{(1)}$ | OE to Data Delay | | 30 | | 35 | | 30 | | 35 | ns |
| $T_{CE}^{(1)}$ | \overline{CE} to Data Delay | | 45 | | 45 | | 45 | | 45 | ns |
| $T_{CAC}^{(1)}$ | CLK to Data Delay | | 50 | | 55 | | 50 | | 50 | ns |
| T_{OH} | Data Hold from \overline{CE} , OE, or CLK | 0 | | 0 | | 0 | | 0 | | ns |
| $T_{DF}^{(2)}$ | \overline{CE} or OE to Data Float Delay | | 50 | | 50 | | 50 | | 50 | ns |
| T_{LC} | CLK Low Time | 20 | | 20 | | 20 | | 20 | | ns |
| T_{HC} | CLK High Time | 20 | | 20 | | 20 | | 20 | | ns |
| T_{SCE} | \overline{CE} Setup Time to CLK (to guarantee proper counting) | 35 | | 40 | | 20 | | 25 | | ns |
| T_{HCE} | \overline{CE} Hold Time from CLK (to guarantee proper counting) | 0 | | 0 | | 0 | | 0 | | ns |
| T_{HOE} | OE High Time (guarantees counter is reset) | 20 | | 20 | | 20 | | 20 | | ns |
| F_{MAX} | Maximum Clock Frequency | | 12.5 | | 12.5 | | 15 | | 15 | MHz |

- Notes: 1. AC test lead = 50 pF.
 2. Float delays are measured with 5 pF AC loads. Transition is measured ± 200 mV from steady-state active levels.

AC Characteristics when Cascading

$V_{CC} = 5V \pm 5\%$ Commercial; $V_{CC} = 5V \pm 10\%$ Industrial

| Symbol | Description | AT17LV65/128/256 | | | | AT17LV512/010/002/040 | | | | Units |
|-----------------|---|------------------|-----|------------|-----|-----------------------|------|------------|------|-------|
| | | Commercial | | Industrial | | Commercial | | Industrial | | |
| | | Min | Max | Min | Max | Min | Max | Min | Max | |
| $T_{CDF}^{(2)}$ | CLK to Data Float Delay | | 50 | | 50 | | 50 | | 50 | ns |
| $T_{OCK}^{(1)}$ | CLK to \overline{CEO} Delay | | 35 | | 40 | | 35 | | 40 | ns |
| $T_{OCE}^{(1)}$ | \overline{CE} to \overline{CEO} Delay | | 35 | | 35 | | 35 | | 35 | ns |
| $T_{OOE}^{(1)}$ | $\overline{RESET/OE}$ to \overline{CEO} Delay | | 30 | | 35 | | 30 | | 30 | ns |
| F_{MAX} | Maximum Clock Frequency | | 10 | | 10 | | 12.5 | | 12.5 | MHz |

- Notes: 1. AC test lead = 50 pF.
 2. Float delays are measured with 5 pF AC loads. Transition is measured ± 200 mV from steady-state active levels.

Thermal Resistance Coefficients⁽¹⁾

| Package Type | | | AT17LV65/ AT17LV128/ AT17LV256 | AT17LV512/ AT17LV010 | AT17LV002 | AT17LV040 |
|--------------|--|-------------------------------------|--------------------------------------|-------------------------|-----------|-----------|
| 8CN4 | Leadless Array Package (LAP) | θ_{JC} [°C/W] | 45 | 45 | 45 | – |
| | | θ_{JA} [°C/W] ⁽²⁾ | 115.71 | 135.71 | 159.60 | – |
| 8P3 | Plastic Dual Inline Package (PDIP) | θ_{JC} [°C/W] | 37 | 37 | – | – |
| | | θ_{JA} [°C/W] ⁽²⁾ | 107 | 107 | – | – |
| 8S1 | Plastic Gull Wing Small Outline (SOIC) | θ_{JC} [°C/W] | 45 | – | – | – |
| | | θ_{JA} [°C/W] ⁽²⁾ | 150 | – | – | – |
| 20J | Plastic Leaded Chip Carrier (PLCC) | θ_{JC} [°C/W] | 35 | 35 | 35 | – |
| | | θ_{JA} [°C/W] ⁽²⁾ | 90 | 90 | 90 | – |
| 20S2 | Plastic Gull Wing Small Outline (SOIC) | θ_{JC} [°C/W] | | | | – |
| | | θ_{JA} [°C/W] ⁽²⁾ | | | | – |
| 44A | Thin Plastic Quad Flat Package (TQFP) | θ_{JC} [°C/W] | – | – | 17 | 17 |
| | | θ_{JA} [°C/W] ⁽²⁾ | – | – | 62 | 62 |
| 44J | Plastic Leaded Chip Carrier (PLCC) | θ_{JC} [°C/W] | – | – | 15 | 15 |
| | | θ_{JA} [°C/W] ⁽²⁾ | – | – | 50 | 50 |

- Notes: 1. For more information refer to the “Thermal Characteristics of Atmel’s Packages”, available on the Atmel web site.
2. Airflow = 0 ft/min.

Figure 1. Ordering Code

AT17LV65A-10PC

| Voltage | Size (Bits) | Special Pinouts | Package | Temperature |
|--------------|-------------|--------------------------------|----------|----------------|
| 3.0V to 5.5V | 65 = 65K | A = Altera | C = 8CN4 | C = Commercial |
| | 128 = 128K | Blank = Xilinx/Atmel/ Other | P = 8P3 | I = Industrial |
| | 256 = 256K | | N = 8S1 | |
| | 512 = 512K | | J = 20J | |
| | 010 = 1M | | S = 20S2 | |
| | 002 = 2M | | TQ = 44A | |
| | 040 = 4M | | BJ = 44J | |

| Package Type | |
|--------------|--|
| 8CN4 | 8-lead, 6 mm x 6 mm x 1 mm, Leadless Array Package (LAP) – Pin-compatible with 8-lead SOIC/VOID Packages |
| 8P3 | 8-lead, 0.300" Wide, Plastic Dual Inline Package (PDIP) |
| 8S1 | 8-lead, 0.150" Wide, Plastic Gull Wing Small Outline (JEDEC SOIC) |
| 20J | 20-lead, Plastic J-leaded Chip Carrier (PLCC) |
| 20S2 | 20-lead, 0.300" Wide, Plastic Gull Wing Small Outline (JEDEC SOIC) |
| 44A | 44-lead, Thin (1.0 mm) Plastic Quad Flat Package Carrier (TQFP) |
| 44J | 44-lead, Plastic J-leaded Chip Carrier (PLCC) |

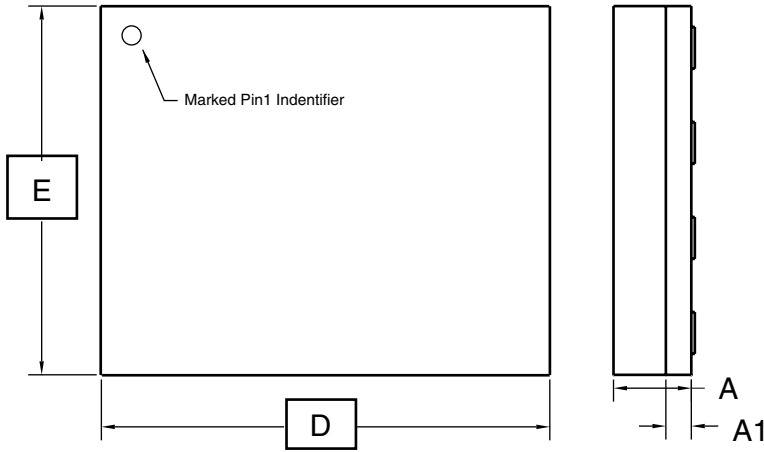
Ordering Information

| Memory Size | Ordering Code | Package | Operation Range |
|-------------------------|--|-----------------------------------|-------------------------------|
| 64-Kbit ⁽¹⁾ | AT17LV65-10CC AT17LV65-10PC AT17LV65-10NC AT17LV65-10JC AT17LV65-10SC | 8CN4 8P3 8S1 20J 20S2 | Commercial (0°C to 70°C) |
| | AT17LV65-10CI AT17LV65-10PI AT17LV65-10NI AT17LV65-10JI AT17LV65-10SI | 8CN4 8P3 8S1 20J 20S2 | Industrial (-40°C to 85°C) |
| 128-Kbit ⁽¹⁾ | AT17LV128-10CC AT17LV128-10PC AT17LV128-10NC AT17LV128-10JC AT17LV128-10SC | 8CN4 8P3 8S1 20J 20S2 | Commercial (0°C to 70°C) |
| | AT17LV128-10CI AT17LV128-10PI AT17LV128-10NI AT17LV128-10JI AT17LV128-10SI | 8CN4 8P3 8S1 20J 20S2 | Industrial (-40°C to 85°C) |
| 256-Kbit ⁽¹⁾ | AT17LV256-10CC AT17LV256-10PC AT17LV256-10NC AT17LV256-10JC AT17LV256-10SC | 8CN4 8P3 8S1 20J 20S2 | Commercial (0°C to 70°C) |
| | AT17LV256-10CI AT17LV256-10PI AT17LV256-10NI AT17LV256-10JI AT17LV256-10SI | 8CN4 8P3 8S1 20J 20S2 | Industrial (-40°C to 85°C) |
| 512-Kbit ⁽¹⁾ | AT17LV512-10CC AT17LV512-10PC AT17LV512-10JC AT17LV512-10SC | 8CN4 8P3 20J 20S2 | Commercial (0°C to 70°C) |
| | AT17LV512-10CI AT17LV512-10PI AT17LV512-10JI AT17LV512-10SI | 8CN4 8P3 20J 20S2 | Industrial (-40°C to 85°C) |
| 1-Mbit ⁽¹⁾ | AT17LV010-10CC AT17LV010-10PC AT17LV010-10JC AT17LV010-10SC | 8CN4 8P3 20J 20S2 | Commercial (0°C to 70°C) |
| | AT17LV010-10CI AT17LV010-10PI AT17LV010-10JI AT17LV010-10SI | 8CN4 8P3 20J 20S2 | Industrial (-40°C to 85°C) |
| 2-Mbit ⁽¹⁾ | AT17LV002-10CC AT17LV002-10JC AT17LV002-10SC AT17LV002-10TQC AT17LV002-10BJC | 8CN4 20J 20S2 44A 44J | Commercial (0°C to 70°C) |
| | AT17LV002-10CI AT17LV002-10JI AT17LV002-10SI AT17LV002-10TQI AT17LV002-10BJI | 8CN4 20J 20S2 44A 44J | Industrial (-40°C to 85°C) |
| 4-Mbit ⁽¹⁾ | AT17LV040-10TQC AT17LV040-10BJC | 44A 44J | Commercial (0°C to 70°C) |
| | AT17LV040-10TQI AT17LV040-10BJI | 44A 44J | Industrial (-40°C to 85°C) |

Note: 1. For operating 5V operating voltage, please refer to the corresponding AC and DC Characteristics.

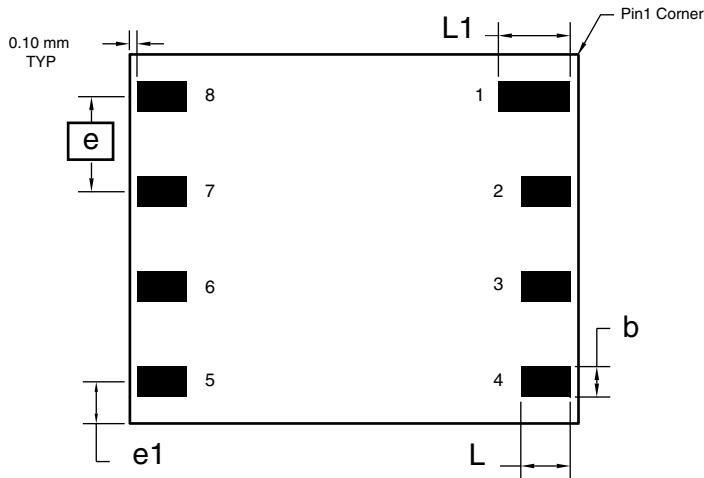
Packaging Information

8CN4 – LAP



Top View

Side View



Bottom View

COMMON DIMENSIONS
(Unit of Measure = mm)

| SYMBOL | MIN | NOM | MAX | NOTE |
|--------|----------|------|------|------|
| A | 0.94 | 1.04 | 1.14 | |
| A1 | 0.30 | 0.34 | 0.38 | |
| b | 0.45 | 0.50 | 0.55 | 1 |
| D | 5.89 | 5.99 | 6.09 | |
| E | 4.89 | 5.99 | 6.09 | |
| e | 1.27 BSC | | | |
| e1 | 1.10 REF | | | |
| L | 0.95 | 1.00 | 1.05 | 1 |
| L1 | 1.25 | 1.30 | 1.35 | 1 |

Note: 1. Metal Pad Dimensions.

11/14/01



2325 Orchard Parkway
San Jose, CA 95131

TITLE

8CN4, 8-lead (6 x 6 x 1.04 mm Body), Lead Pitch 1.27 mm,
Leadless Array Package (LAP)

DRAWING NO.

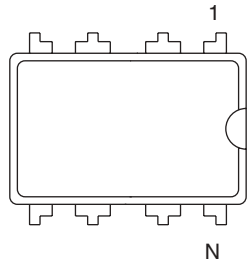
8CN4

REV.

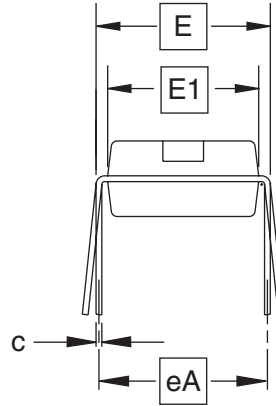
A



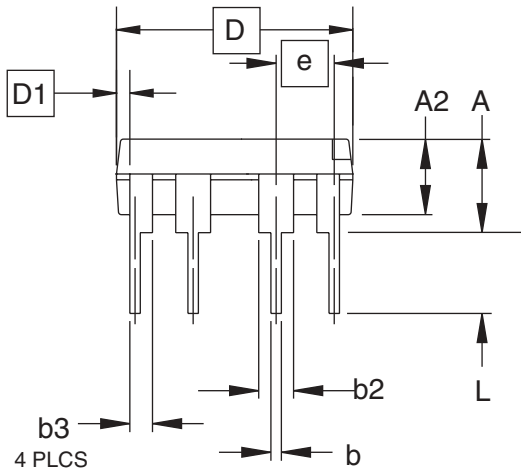
8P3 – PDIP



Top View



End View



Side View

COMMON DIMENSIONS
(Unit of Measure = inches)

| SYMBOL | MIN | NOM | MAX | NOTE |
|--------|-----------|-------|-------|------|
| A | | | 0.210 | 2 |
| A2 | 0.115 | 0.130 | 0.195 | |
| b | 0.014 | 0.018 | 0.022 | 5 |
| b2 | 0.045 | 0.060 | 0.070 | 6 |
| b3 | 0.030 | 0.039 | 0.045 | 6 |
| c | 0.008 | 0.010 | 0.014 | |
| D | 0.355 | 0.365 | 0.400 | 3 |
| D1 | 0.005 | | | 3 |
| E | 0.300 | 0.310 | 0.325 | 4 |
| E1 | 0.240 | 0.250 | 0.280 | 3 |
| e | 0.100 BSC | | | |
| eA | 0.300 BSC | | | 4 |
| L | 0.115 | 0.130 | 0.150 | 2 |

- Notes:
1. This drawing is for general information only; refer to JEDEC Drawing MS-001, Variation BA for additional information.
 2. Dimensions A and L are measured with the package seated in JEDEC seating plane Gauge GS-3.
 3. D, D1 and E1 dimensions do not include mold Flash or protrusions. Mold Flash or protrusions shall not exceed 0.010 inch.
 4. E and eA measured with the leads constrained to be perpendicular to datum.
 5. Pointed or rounded lead tips are preferred to ease insertion.
 6. b2 and b3 maximum dimensions do not include Dambar protrusions. Dambar protrusions shall not exceed 0.010 (0.25 mm).

01/09/02



2325 Orchard Parkway
San Jose, CA 95131

TITLE

8P3, 8-lead, 0.300" Wide Body, Plastic Dual
In-line Package (PDIP)

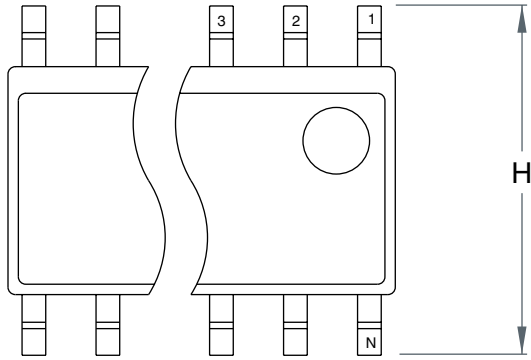
DRAWING NO.

8P3

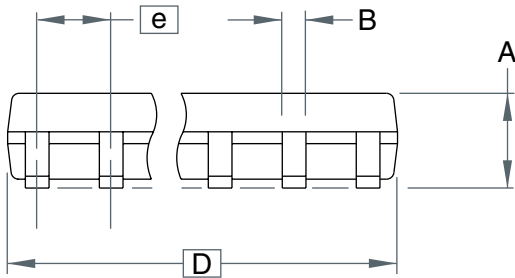
REV.

B

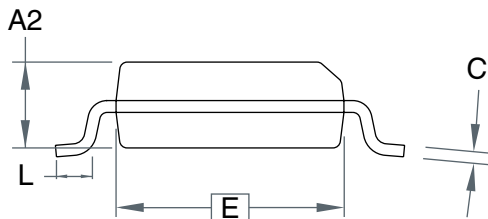
8S1 – SOIC



Top View



Side View



End View

COMMON DIMENSIONS
(Unit of Measure = mm)

| SYMBOL | MIN | NOM | MAX | NOTE |
|--------|----------|-----|------|------|
| A | - | - | 1.75 | |
| B | - | - | 0.51 | |
| C | - | - | 0.25 | |
| D | - | - | 5.00 | |
| E | - | - | 4.00 | |
| e | 1.27 BSC | | | |
| H | - | - | 6.20 | |
| L | - | - | 1.27 | |

Note: This drawing is for general information only. Refer to JEDEC Drawing MS-012 for proper dimensions, tolerances, datums, etc.

10/10/01



2325 Orchard Parkway
San Jose, CA 95131

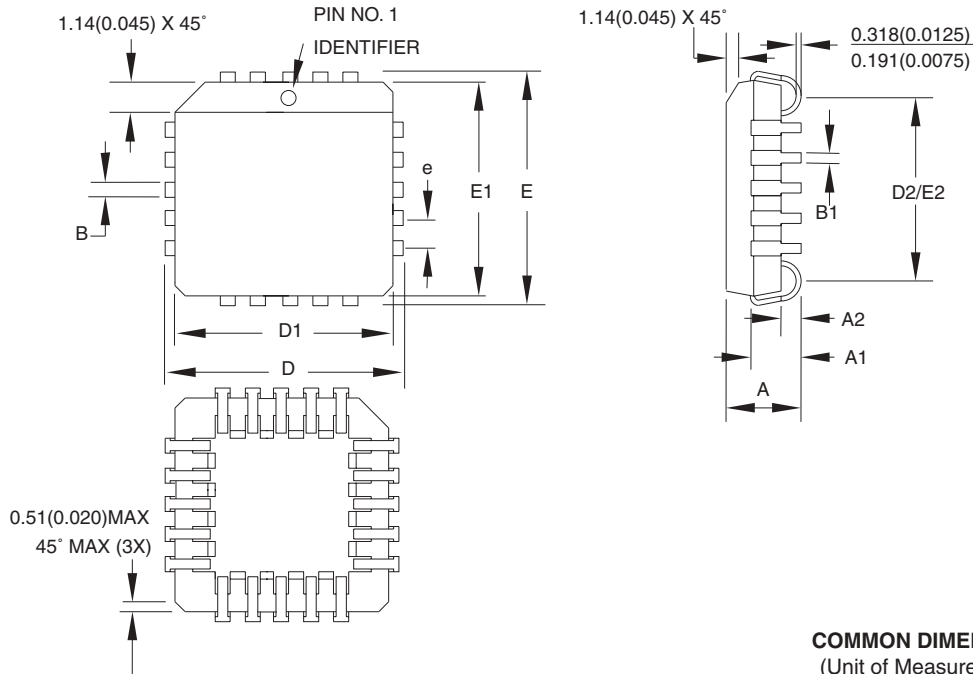
TITLE
8S1, 8-lead (0.150" Wide Body), Plastic Gull Wing
Small Outline (JEDEC SOIC)

DRAWING NO.
8S1

REV.
A



20J – PLCC



COMMON DIMENSIONS
(Unit of Measure = mm)

| SYMBOL | MIN | NOM | MAX | NOTE |
|--------|-----------|-----|--------|--------|
| A | 4.191 | – | 4.572 | |
| A1 | 2.286 | – | 3.048 | |
| A2 | 0.508 | – | – | |
| D | 9.779 | – | 10.033 | |
| D1 | 8.890 | – | 9.042 | Note 2 |
| E | 9.779 | – | 10.033 | |
| E1 | 8.890 | – | 9.042 | Note 2 |
| D2/E2 | 7.366 | – | 8.382 | |
| B | 0.660 | – | 0.813 | |
| B1 | 0.330 | – | 0.533 | |
| e | 1.270 TYP | | | |

- Notes:
1. This package conforms to JEDEC reference MS-018, Variation AA.
 2. Dimensions D1 and E1 do not include mold protrusion. Allowable protrusion is .010" (0.254 mm) per side. Dimension D1 and E1 include mold mismatch and are measured at the extreme material condition at the upper or lower parting line.
 3. Lead coplanarity is 0.004" (0.102 mm) maximum.

10/04/01



2325 Orchard Parkway
San Jose, CA 95131

TITLE

20J, 20-lead, Plastic J-leaded Chip Carrier (PLCC)

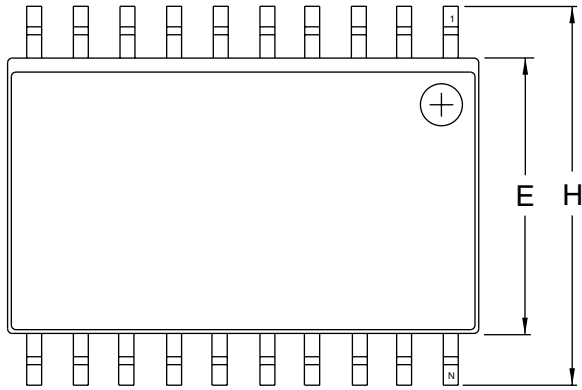
DRAWING NO.

20J

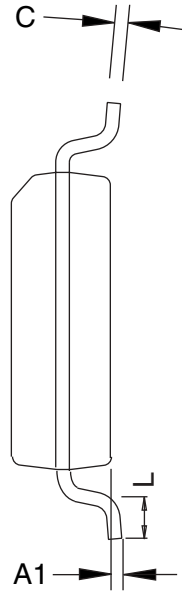
REV.

B

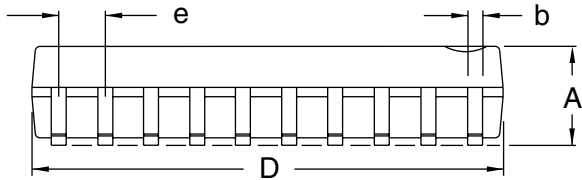
20S2 – SOIC



Top View



End View



Side View

COMMON DIMENSIONS
(Unit of Measure = inches)

| SYMBOL | MIN | NOM | MAX | NOTE |
|--------|-----------|-----|--------|------|
| A | 0.0926 | | 0.1043 | |
| A1 | 0.0040 | | 0.0118 | |
| b | 0.0130 | | 0.0200 | 4 |
| C | 0.0091 | | 0.0125 | |
| D | 0.4961 | | 0.5118 | 1 |
| E | 0.2914 | | 0.2992 | 2 |
| H | 0.3940 | | 0.4190 | |
| L | 0.0160 | | 0.050 | 3 |
| e | 0.050 BSC | | | |

- Notes:
1. This drawing is for general information only; refer to JEDEC Drawing MS-013, Variation AC for additional information.
 2. Dimension "D" does not include mold Flash, protrusions or gate burrs. Mold Flash, protrusions and gate burrs shall not exceed 0.15 mm (0.006") per side.
 3. Dimension "E" does not include inter-lead Flash or protrusion. Inter-lead Flash and protrusions shall not exceed 0.25 mm (0.010") per side.
 4. "L" is the length of the terminal for soldering to a substrate.
 5. The lead width "b", as measured 0.36 mm (0.014") or greater above the seating plane, shall not exceed a maximum value of 0.61 mm (0.024") per side.



2325 Orchard Parkway
San Jose, CA 95131

TITLE

20S2, 20-lead, 0.300" Wide Body, Plastic Gull Wing Small Outline Package (SOIC)

DRAWING NO.

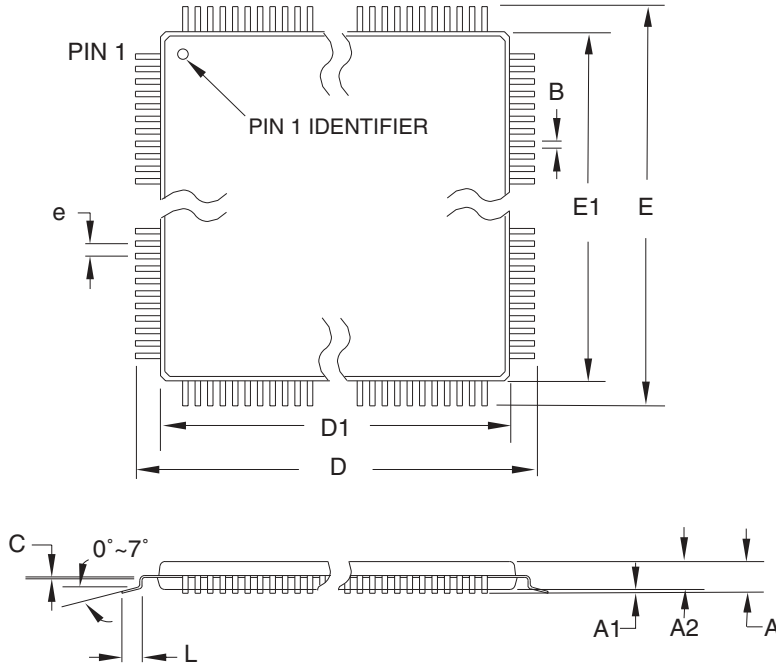
20S2

REV.

A



44A – TQFP



COMMON DIMENSIONS
(Unit of Measure = mm)

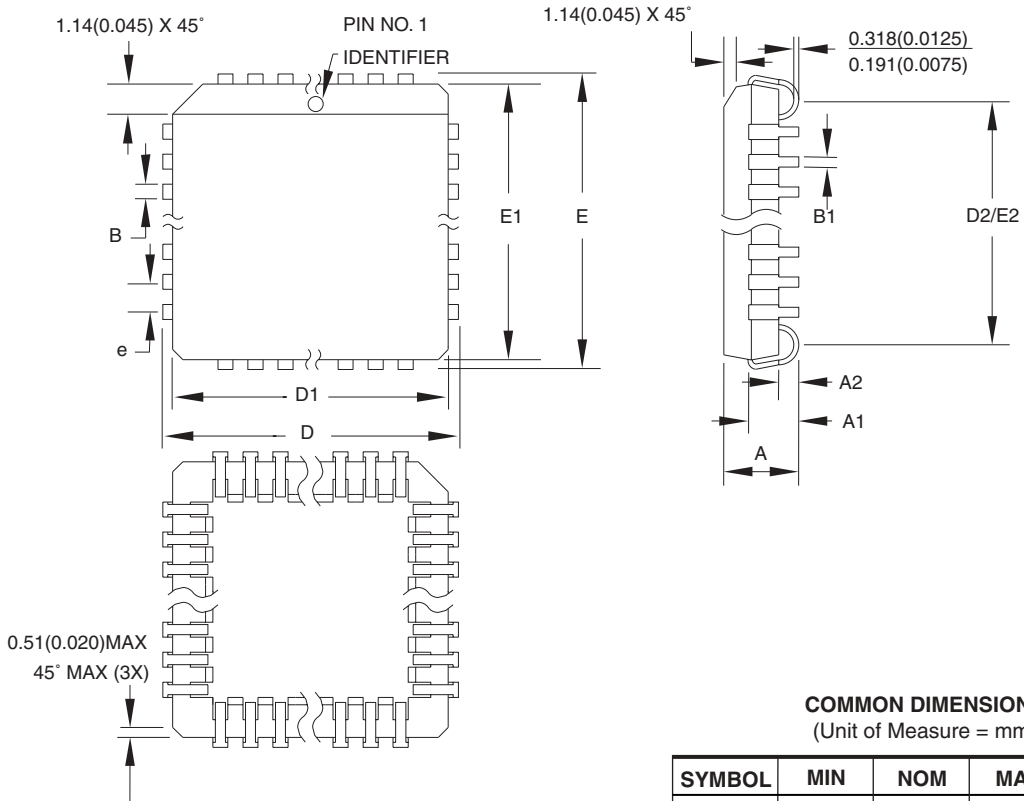
| SYMBOL | MIN | NOM | MAX | NOTE |
|--------|----------|-------|-------|--------|
| A | – | – | 1.20 | |
| A1 | 0.05 | – | 0.15 | |
| A2 | 0.95 | 1.00 | 1.05 | |
| D | 11.75 | 12.00 | 12.25 | |
| D1 | 9.90 | 10.00 | 10.10 | Note 2 |
| E | 11.75 | 12.00 | 12.25 | |
| E1 | 9.90 | 10.00 | 10.10 | Note 2 |
| B | 0.30 | – | 0.45 | |
| C | 0.09 | – | 0.20 | |
| L | 0.45 | – | 0.75 | |
| e | 0.80 TYP | | | |

- Notes:
1. This package conforms to JEDEC reference MS-026, Variation ACB.
 2. Dimensions D1 and E1 do not include mold protrusion. Allowable protrusion is 0.25 mm per side. Dimensions D1 and E1 are maximum plastic body size dimensions including mold mismatch.
 3. Lead coplanarity is 0.10 mm maximum.

10/5/2001

| | | | |
|--|--|--------------------|-------------|
| 2325 Orchard Parkway San Jose, CA 95131 | TITLE | DRAWING NO. | REV. |
| | 44A , 44-lead, 10 x 10 mm Body Size, 1.0 mm Body Thickness, 0.8 mm Lead Pitch, Thin Profile Plastic Quad Flat Package (TQFP) | 44A | B |

44J – PLCC



COMMON DIMENSIONS
(Unit of Measure = mm)

| SYMBOL | MIN | NOM | MAX | NOTE |
|--------|-----------|-----|--------|--------|
| A | 4.191 | – | 4.572 | |
| A1 | 2.286 | – | 3.048 | |
| A2 | 0.508 | – | – | |
| D | 17.399 | – | 17.653 | |
| D1 | 16.510 | – | 16.662 | Note 2 |
| E | 17.399 | – | 17.653 | |
| E1 | 16.510 | – | 16.662 | Note 2 |
| D2/E2 | 14.986 | – | 16.002 | |
| B | 0.660 | – | 0.813 | |
| B1 | 0.330 | – | 0.533 | |
| e | 1.270 TYP | | | |

- Notes:
1. This package conforms to JEDEC reference MS-018, Variation AC.
 2. Dimensions D1 and E1 do not include mold protrusion. Allowable protrusion is .010"(0.254 mm) per side. Dimension D1 and E1 include mold mismatch and are measured at the extreme material condition at the upper or lower parting line.
 3. Lead coplanarity is 0.004" (0.102 mm) maximum.

10/04/01



2325 Orchard Parkway
San Jose, CA 95131

TITLE

44J, 44-lead, Plastic J-leaded Chip Carrier (PLCC)

DRAWING NO.

44J

REV.

B





Atmel Corporation

2325 Orchard Parkway
San Jose, CA 95131
Tel: 1(408) 441-0311
Fax: 1(408) 487-2600

Regional Headquarters

Europe

Atmel Sarl
Route des Arsenalux 41
Case Postale 80
CH-1705 Fribourg
Switzerland
Tel: (41) 26-426-5555
Fax: (41) 26-426-5500

Asia

Room 1219
Chinachem Golden Plaza
77 Mody Road Tsimshatsui
East Kowloon
Hong Kong
Tel: (852) 2721-9778
Fax: (852) 2722-1369

Japan

9F, Tonetsu Shinkawa Bldg.
1-24-8 Shinkawa
Chuo-ku, Tokyo 104-0033
Japan
Tel: (81) 3-3523-3551
Fax: (81) 3-3523-7581

Atmel Operations

Memory

2325 Orchard Parkway
San Jose, CA 95131
Tel: 1(408) 441-0311
Fax: 1(408) 436-4314

Microcontrollers

2325 Orchard Parkway
San Jose, CA 95131
Tel: 1(408) 441-0311
Fax: 1(408) 436-4314

La Chantrerie
BP 70602
44306 Nantes Cedex 3, France
Tel: (33) 2-40-18-18-18
Fax: (33) 2-40-18-19-60

ASIC/ASSP/Smart Cards

Zone Industrielle
13106 Rousset Cedex, France
Tel: (33) 4-42-53-60-00
Fax: (33) 4-42-53-60-01

1150 East Cheyenne Mtn. Blvd.
Colorado Springs, CO 80906
Tel: 1(719) 576-3300
Fax: 1(719) 540-1759

Scottish Enterprise Technology Park
Maxwell Building
East Kilbride G75 0QR, Scotland
Tel: (44) 1355-803-000
Fax: (44) 1355-242-743

RF/Automotive

Theresienstrasse 2
Postfach 3535
74025 Heilbronn, Germany
Tel: (49) 71-31-67-0
Fax: (49) 71-31-67-2340

1150 East Cheyenne Mtn. Blvd.
Colorado Springs, CO 80906
Tel: 1(719) 576-3300
Fax: 1(719) 540-1759

Biometrics/Imaging/Hi-Rel MPU/ High Speed Converters/RF Datacom

Avenue de Rochepleine
BP 123
38521 Saint-Egreve Cedex, France
Tel: (33) 4-76-58-30-00
Fax: (33) 4-76-58-34-80

Atmel Configurator Hotline
(408) 436-4119

Atmel Configurator e-mail
configurator@atmel.com

FAQ
Available on web site

e-mail
literature@atmel.com

Web Site
<http://www.atmel.com>

Disclaimer: Atmel Corporation makes no warranty for the use of its products, other than those expressly contained in the Company's standard warranty which is detailed in Atmel's Terms and Conditions located on the Company's web site. The Company assumes no responsibility for any errors which may appear in this document, reserves the right to change devices or specifications detailed herein at any time without notice, and does not make any commitment to update the information contained herein. No licenses to patents or other intellectual property of Atmel are granted by the Company in connection with the sale of Atmel products, expressly or by implication. Atmel's products are not authorized for use as critical components in life support devices or systems.

© Atmel Corporation 2003. All rights reserved. Atmel® and combinations thereof are the registered trademark of Atmel.

FLEX™ is the trademark of Altera Corporation; ORCA™ is the trademark of Lattice Semiconductors; SPARTAN® and Virtex® are the registered trademarks of Xilinx, Inc.; XC3000™, XC4000™ and XC5200™ are the trademarks of Xilinx, Inc.; APEX™ is the trademark of MIPS Technologies; Other terms and product names may be the trademarks of others.



Printed on recycled paper.